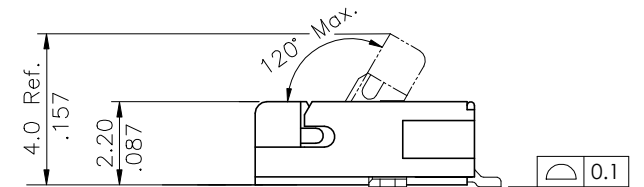
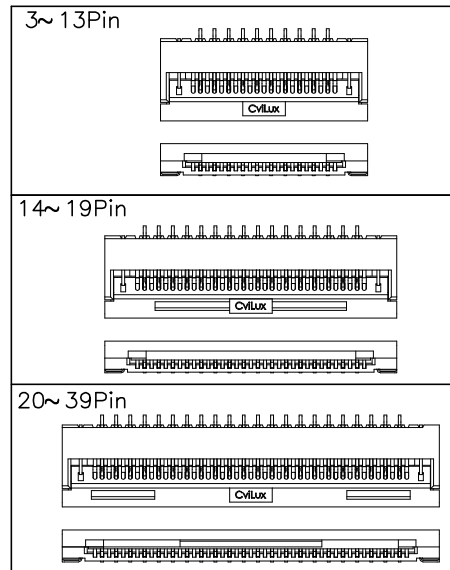
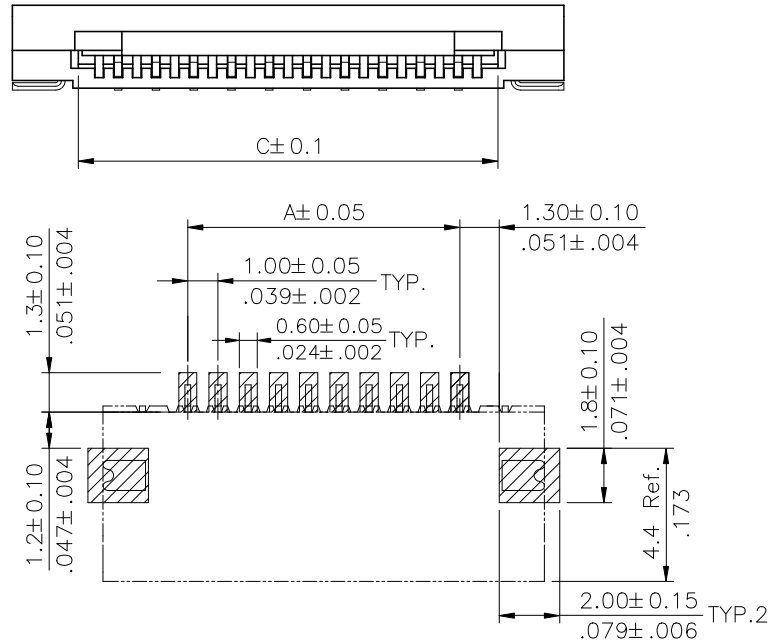
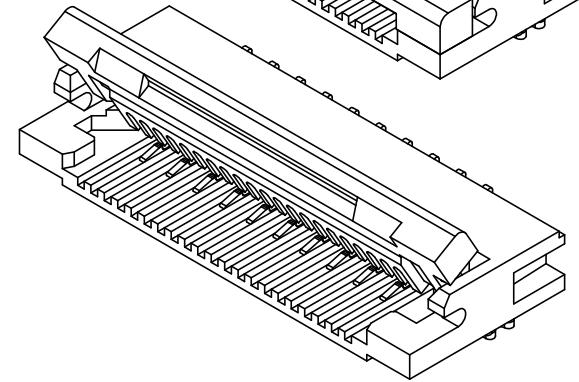
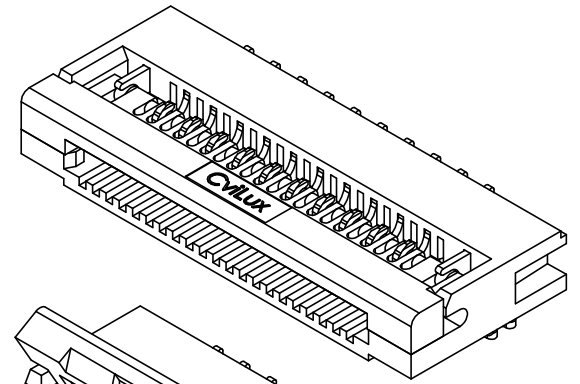
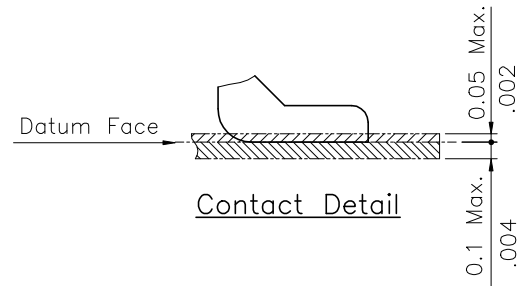


NOTE :

- \* Body :High temperature plastic UL 94V-0, Color Nature
- \* Slider :High temperature plastic UL 94V-0 Color Black
- \* Contact : Phosphor Bronze
- \* Fixed tab : Brass with Matte Tin Plated



Recommended P.C. Board Layout

Lead Free Process

Halogen-Free

RoHS Compliant

4						DATE	UNIT: mm / inch	TITLE: 1.0mm(.040") ZIF FFC/FPC ONE-TOUCH CONNECTOR	 瀚荃股份有限公司 Cvilux Corporation	
3			DRAWN BY: Steven		5/4-11'	TOLERANCE UNLESS OTHERWISE SPECIFIED	MATERIAL:			
2	Steven	5/4-11'	ECN11088		ENGINEER: Clark	5/4-11'		.X ± 0.20/.008 X* ± 1'		FINISH:
1	Steven	4/13-11'	ECN11067		CHECKED BY: Eisley	5/4-11'	.XX ± 0.10/.004 X* ±			
SYM	NAME	DATE	REVISIONS	APPROVED BY: Eisley	5/4-11'	.XXX ± 0.05/.002 XX* ±	DRAWING NO. CF2567SB	PART NO. CF25**1D0**-10-NH	SCALE 5 / 1	SHEET 1 OF 3

# Ordering Code

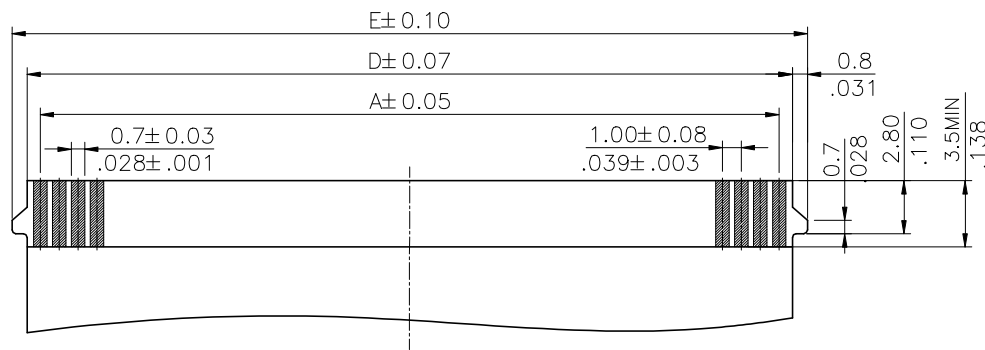
CF25 \*\* 1 D 0 \* \* - 10 - NH  
 ① ② ③ ④ ⑤ ⑥ ⑦ ⑧ ⑨

- A = 1.00 x No. of Spaces
- B = A + 5.6
- C = A + 2.1
- D = A + 2.0
- E = A + 3.6
- F = A + 3.1

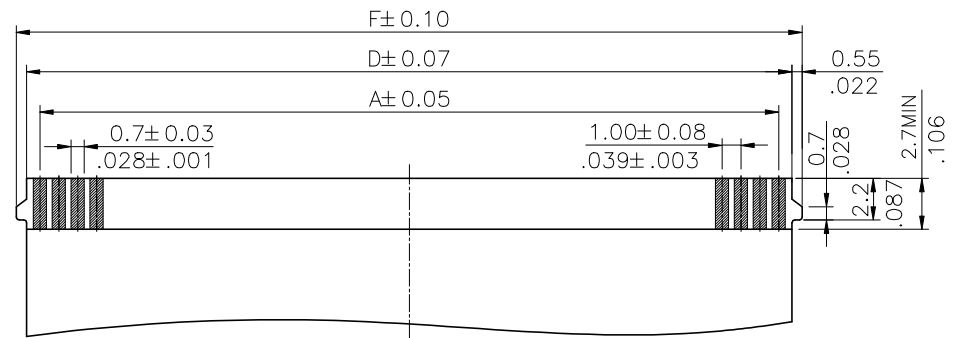
△ (Available : 06,10,26,32)

\* Circuits not found above  
 please consult manufacturer \*

- ① Series No.
- ② No. of Circuits :
- ③ Plating code:  
 1= 120μ"min. Matte Tin plated over 50μ"min. Nickel
- ④ Contact style: D= Downside contact
- ⑤ Color: 0= Nature
- ⑥ Packing option: R= Tape & Reel , T= Tube
- ⑦ Other option:  
 D: Accommodated FFC/FPC(TYPE1)  
 E: Accommodated FFC/FPC(TYPE2)
- ⑧ Pitch: 10= 1.00 mm
- ⑨ -NH= For Leadfree IR Processes and Halogen-Free



Accommodated FFC/FPC(TYPE1)



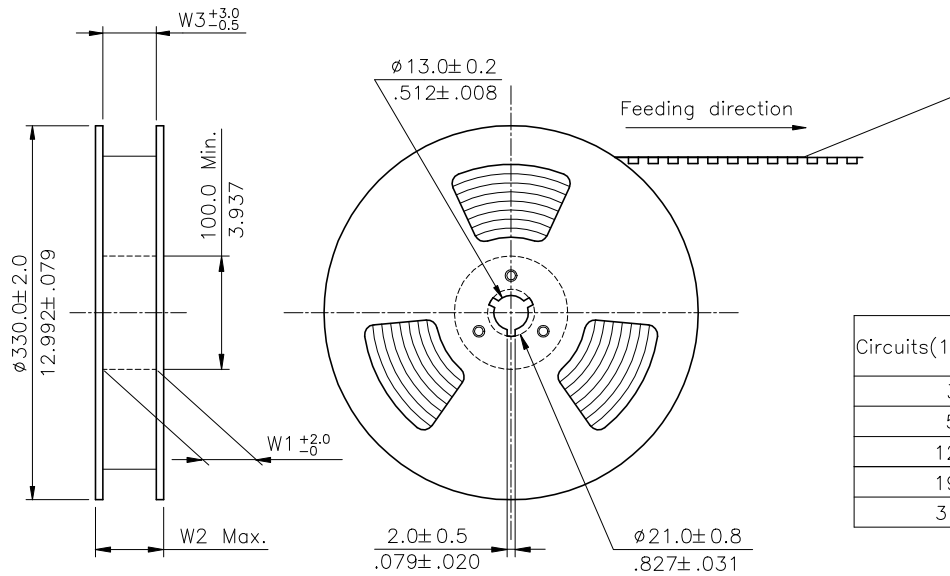
Accommodated FFC/FPC(TYPE2)

Lead Free Process

Halogen-Free

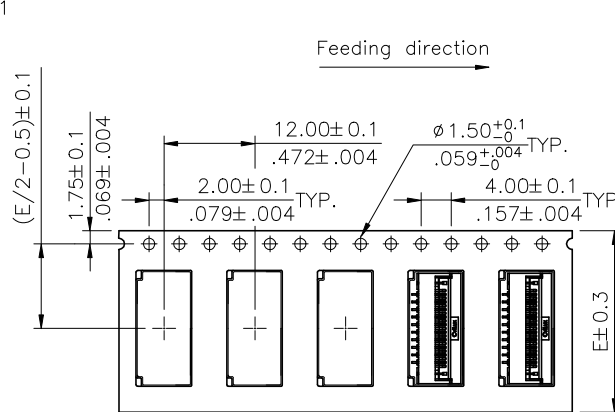
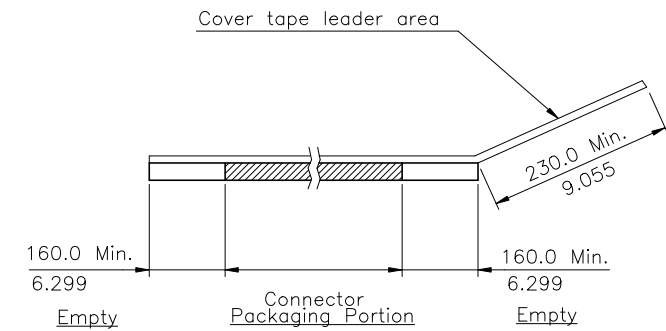
RoHS Compliant

④						DATE	UNIT: mm / inch	TITLE: 1.0mm(.040") ZIF FFC/FPC ONE-TOUCH CONNECTOR MATERIAL:	瀚荃股份有限公司 CviLux Corporation	
③			DRAWN BY: Steven		5/4-11'	TOLERANCE UNLESS OTHERWISE SPECIFIED	X: ± 0.20/.008 X*: ± 1' .XX ± 0.10/.004 .X* ±			FINISH:
②	Steven	5/4-11'	ECN11088		ENGINEER: Clark	5/4-11'		.XXX ± 0.05/.002 .XX* ±		
①	Steven	4/13-11'	ECN11067		CHECKED BY: Eisley	5/4-11'	SCALE 10 / 1			SHEET 2 OF 3
SYM	NAME	DATE	REVISIONS		APPROVED BY: Eisley	5/4-11'				

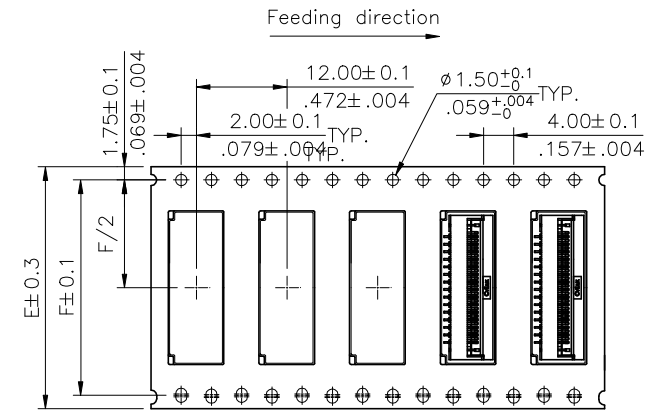


- NOTES:
- 10 sprocket hole pitch cumulative tolerance  $\pm 0.20$
  - Carrier camber is within 1 mm in 250 mm.
  - Material :Transparent Anti-static Polysyrene.
  - All dimensions meet EIA-481-2 requirements.
  - Thickness :  $0.35 \pm 0.05$ mm.
  - Packing length per 13" Reel : 24.32 Meters.
  - Component load per 13" Reel : 2000 pcs.

Circuits(1.0mm Pitch)	Dimension					Packing (Reel/Caton)
	E	F	W1	W2	W3	
3-4	16.0(.630)	—	16.5(.650)	22.5(.886)	16.5(.650)	11
5-11	24.0(.945)	—	24.5(.965)	30.5(1.200)	24.5(.965)	9
12-18	32.0(1.260)	28.40(1.118)	32.5(1.280)	38.5(1.516)	32.5(1.280)	7
19-30	44.0(1.732)	40.40(1.596)	44.5(1.752)	50.5(1.988)	44.5(1.752)	5
31-39	56.0(2.205)	52.50(2.063)	56.5(2.224)	62.5(2.461)	56.5(2.224)	4



WIDTH : 16,24 mm Carrier




WIDTH : 32,44,56 mm Carrier

Lead Free Process

Halogen-Free

RoHS Compliant

4					DATE	UNIT: mm / inch	TITLE: 1.0mm(.040") ZIF FFC/FPC ONE-TOUCH CONNECTOR	 瀚荃股份有限公司 CviLux Corporation	DRAWING NO. CF2567SB PART NO. CF25**1D0**-10-NH
3				DRAWN BY: Steven	5/4-11'	TOLERANCE UNLESS OTHERWISE SPECIFIED			
2	Steven	5/4-11'	ECN11088	ENGINEER: Clark	5/4-11'	.X ± X' ±			
1	Steven	4/13-11'	ECN11067	CHECKED BY: Eisley	5/4-11'	.XX ± .X' ±			
SYM	NAME	DATE	REVISIONS	APPROVED BY: Eisley	5/4-11'	.XXX ± .XX' ±	FINISH:	SCALE 1 / 1	SHEET 3 OF 3

  
 Cvilux Corporation  
 2011.05.04  
 ISSUED