

Material :

\* Body : LCP With 30% GF. UL 94V-0  
Color Nature

\* Slider : LCP With 35% M/D. UL 94V-0  
Color Black

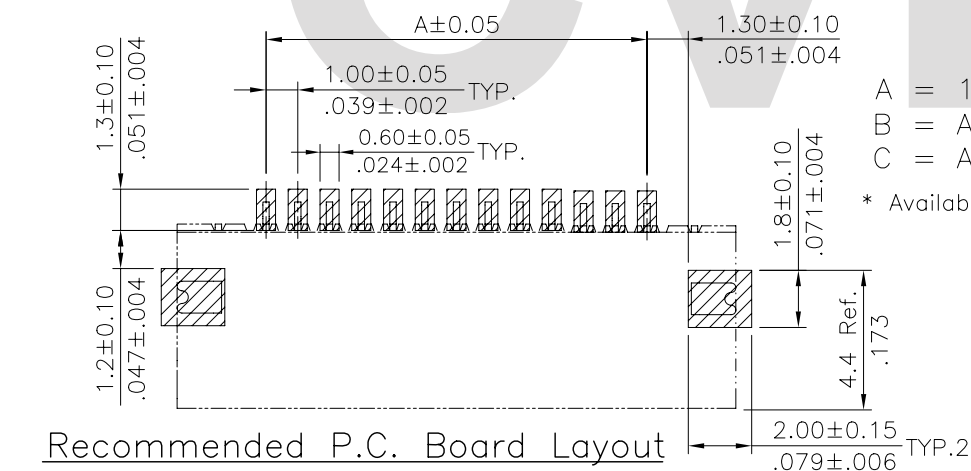
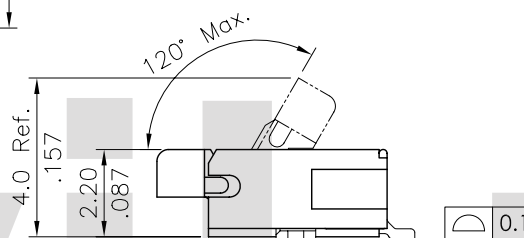
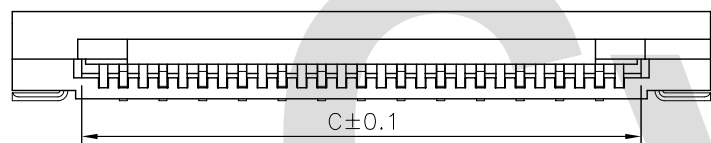
\* Contact : Phosphor Bronze

\* Fixed tab : Brass with Tin Plated

### Ordering Code

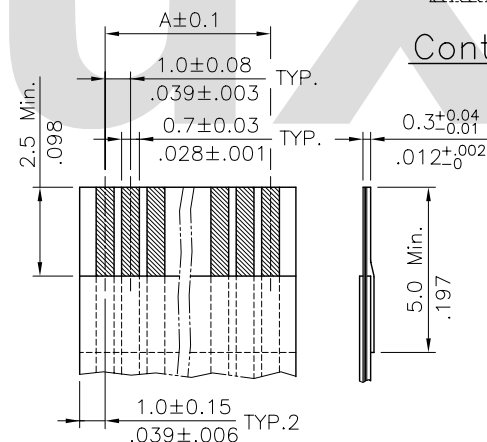
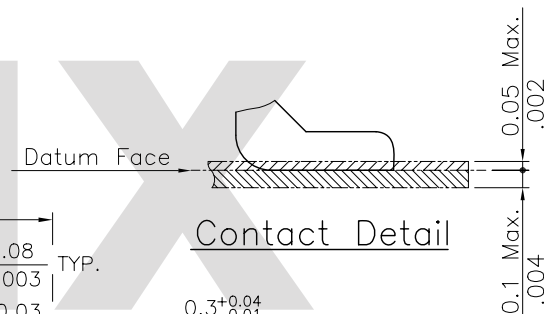
CF25 \*\* 1 D 0 \*0 - 10 -NH  
① ② ③ ④ ⑤ ⑥ ⑦ ⑧

- ① Series No.
- ② No. of Circuits
- ③ Plating code:  
1= Matte Tin plated over Nickel  
2= Gold flash over 50μ"min. Nickel
- ④ Contact style: D= Downside contact
- ⑤ Color: 0= Nature
- ⑥ Other option: R0= Tape & Reel  
T0= Tube Packing
- ⑦ Pitch: 10= 1.00 mm
- ⑧ -NH= For Lead Free IR Processes and Halogen-Free



A = 1.00 x No. of Spaces  
B = A + 5.6  
C = A + 2.1

\* Available in 33 through 39 circuits



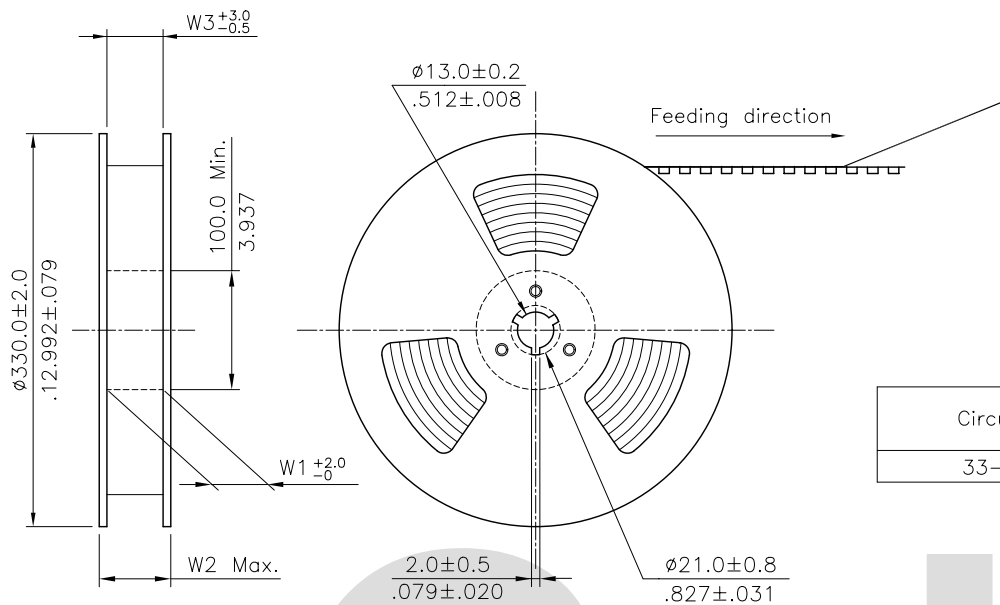
Accommodated FFC/FPC

Halogen-Free

Lead Free Process

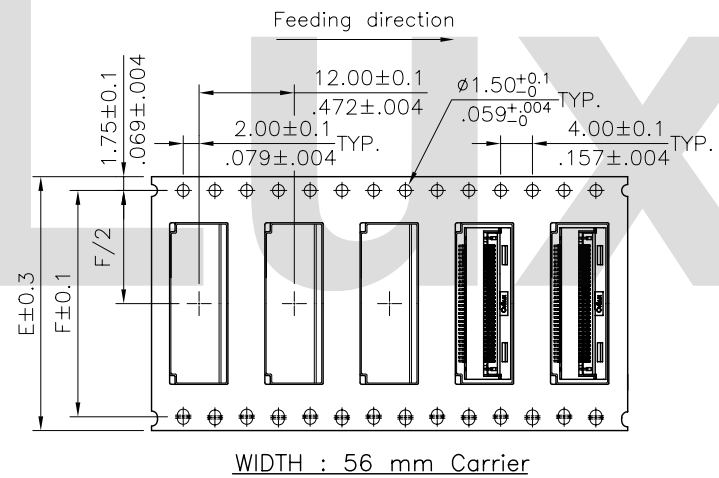
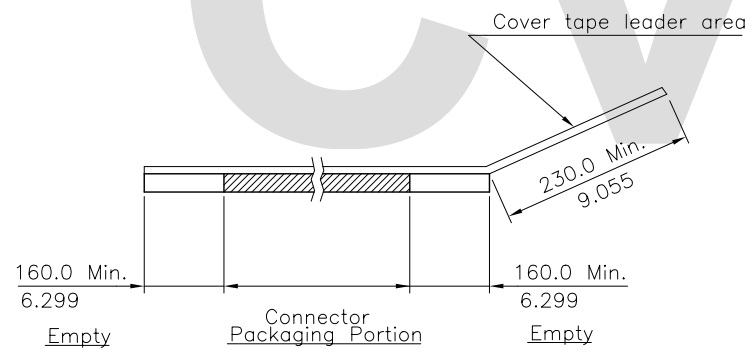
RoHS compliant

④						DATE	UNIT: mm / inch	TITLE: 1.00mm(.039") ZIF FFC/FPC ONE-TOUCH CONNECTOR MATERIAL: FINISH:	瀚荃股份有限公司 Cvilux Corporation
③			DRAWN BY: Hank		1/20-09'	TOLERANCE UNLESS OTHERWISE SPECIFIED			
②			ENGINEER: Easley		2/04-09'	.X ± 0.15/.006	.X' ± 1'		
①			CHECKED BY: Easley		2/04-09'	.XX ± 0.10/.004	.X' ±		
SYM	NAME	DATE	APPROVED BY: Alex		2/04-09'	.XXX ± 0.05/.002	.XX' ±		
REVISIONS								DRAWING NO. CF2529SA	PART NO. CF25***D0*0-10-NH
								SCALE 5 / 1	SHEET 1 OF 2




- NOTES:
- 10 sprocket hole pitch cumulative tolerance  $\pm 0.20$
  - Carrier camber is within 1 mm in 250 mm.
  - Material :Transparent Anti-static Polysyrene.
  - All dimensions meet EIA-481-2 requirements.
  - Thickness :  $0.35 \pm 0.05$ mm.
  - Packing length per 22" Reel : 56 Meters.
  - Component load per 13" Reel : 2000 pcs.

Circuits	Dimension					Packing (Reel/Caton)
	E	F	W1	W2	W3	
33-39	56.0(2.204)	52.50(2.067)	56.5(2.224)	62.5(2.460)	56.5(2.224)	4



RoHS Compliant

4					DATE	UNIT: mm / inch	TITLE: 1.00mm(.039") ZIF FFC/FPC ONE-TOUCH CONNECTOR	 瀚荃股份有限公司 CviLux Corporation	
3					DRAWN BY: Hank	TOLERANCE UNLESS OTHERWISE SPECIFIED	MATERIAL:		
2					ENGINEER: Easley	.X ±	.X' ± 1'	DRAWING NO. CF2529SA PART NO. CF25**1D0*0-10-NH	
1					CHECKED BY: Easley	.XX ±	.X' ±		
SYM	NAME	DATE	REVISIONS	APPROVED BY: Alex	2/04-09'	.XXX ±	.XX' ±	SCALE	SHEET 2 OF 2

**CIVILUX CORP**  
2009.02.10  
ISSUED