

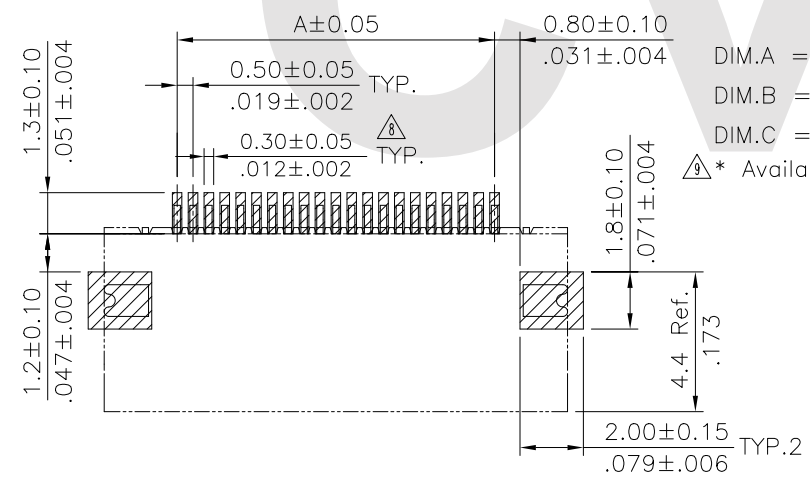
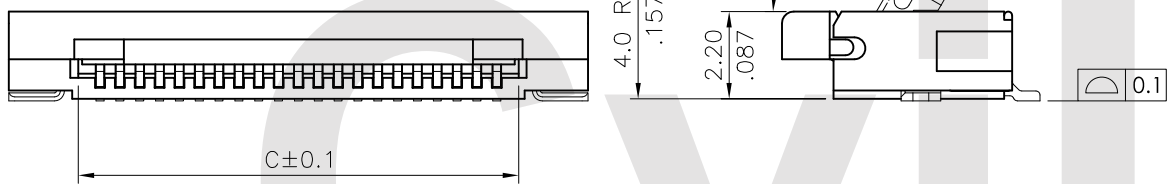
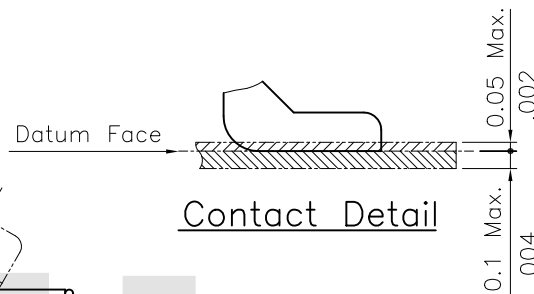
Material :

- * Body : PA6T or PA9T With 30% GF. UL 94V-0
Color Nature(Ivory)
- * Slider : PA6T or PA9T With 30% GF. UL 94V-0
Color Black
- * Contact : Phosphor Bronze
- * Fixed tab : Brass with Tin Plated

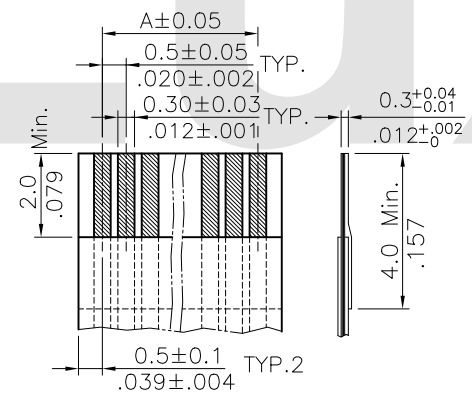
Ordering Code

CF25 ** 1 D 0 *0 - 05
① ② ③ ④ ⑤ ⑥ ⑦

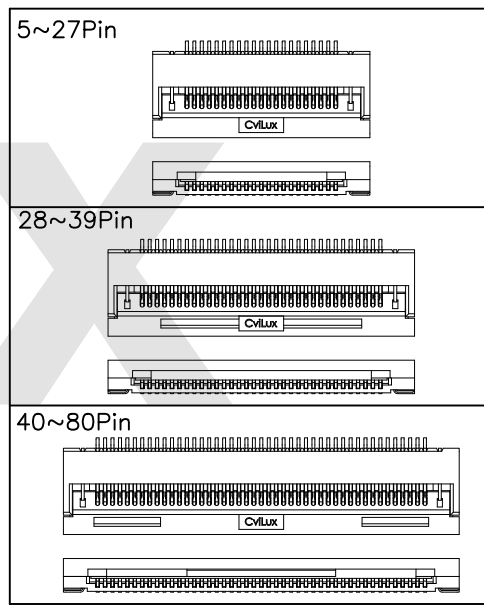
- ① Series No.
- ② No. of Circuits
- ③ Plating code:
1= Matte Tin plated over Nickel
2= Gold flash over 50μ"min. Nickel
- ④ Contact style: D= Downside contact
- ⑤ Color: 0= Nature
- ⑥ Other option: R0= Tape & Reel
T0= Tube Packing
- ⑦ Pitch: 05= 0.50 mm



DIM.A = 0.50 x No. of Spaces
DIM.B = DIM.A + 4.6
DIM.C = DIM.A + 1.1
* Available in 5 through 80 circuits



Accommodated FFC/FPC

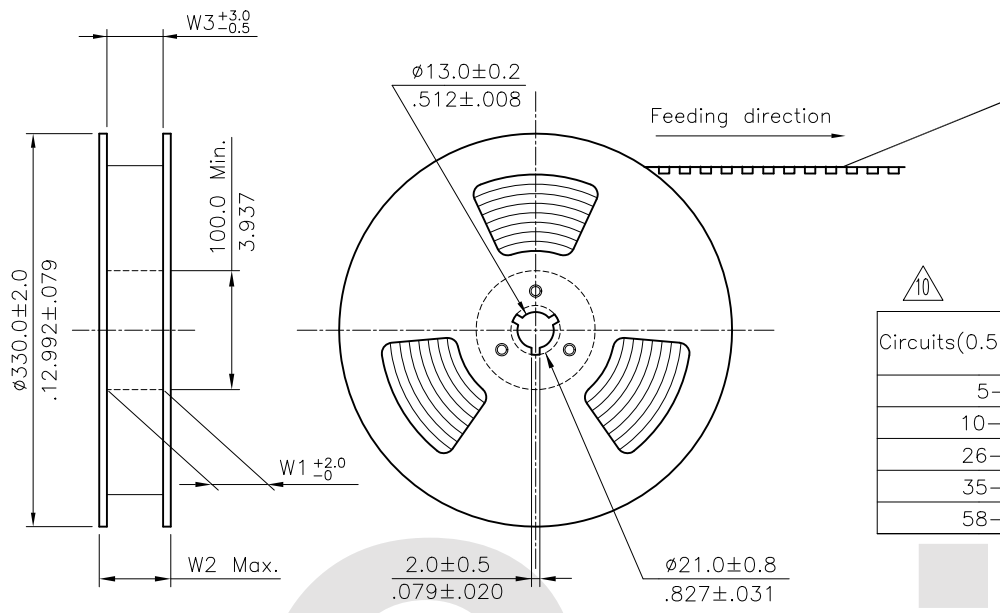


Lead Free Process
RoHS compliant

Recommended P.C. Board Layout

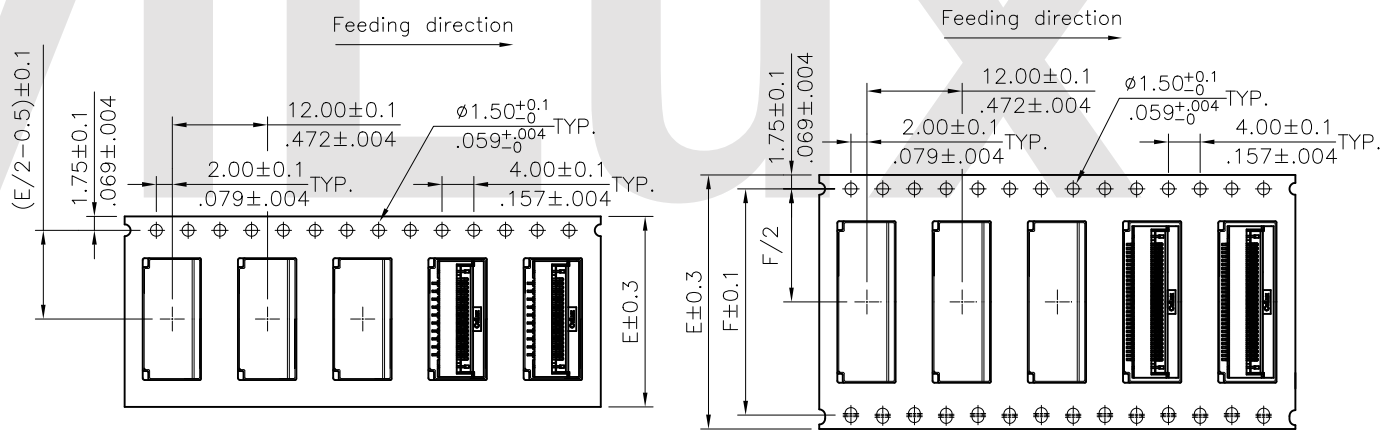
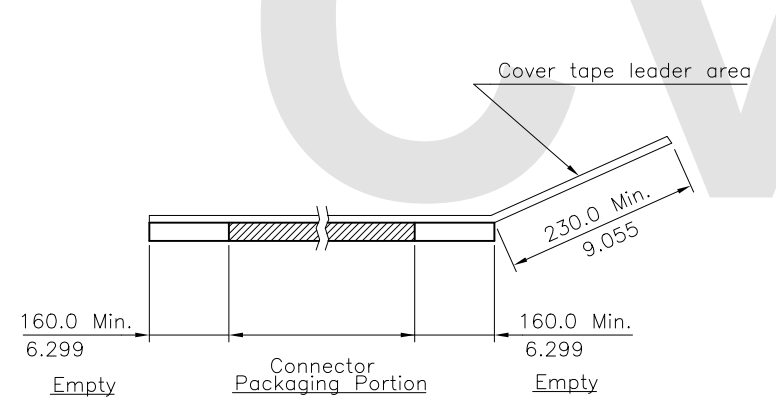
⑪	Sandy	2/16-16'	ECNT116028/ECRB116002		DATE	UNIT: mm / inch	TITLE: 0.50mm(.020") ZIF FFC/FPC ONE-TOUCH CONNECTOR	瀚荃股份有限公司 CviLux Corporation
⑩	Enya	11/06-12'	ECN12272-0/ECR12080-1	DRAWN BY: Sandy	2/23-16'	TOLERANCE UNLESS OTHERWISE SPECIFIED	MATERIAL:	
⑨	Sun	12/09-08'	ECN08604	ENGINEER: Sun	2/26-16'	.X ± 0.15/.006 X' ± 1'	FINISH:	DRAWING NO. CF2502SL PART NO. CF25***D0*0-05
⑧	Sun	12/07-07'	ECN07511	CHECKED BY: Easley	3/04-16'	.XX ± 0.10/.004 X' ±		SCALE 5 / 1 SHEET 1 OF 2
SYM	NAME	DATE	REVISIONS	APPROVED BY: Easley	3/04-16'	.XXX ± 0.05/.002 X' ±		

2016.03.10
ISSUED



- NOTES:
1. 10 sprocket hole pitch cumulative tolerance ± 0.20
 2. Carrier camber is within 1 mm in 250 mm.
 3. Material :Transparent Anti-static Polysyrene.
 4. All dimensions meet EIA-481-2 requirements.
 5. Thickness : 0.35 ± 0.05 mm.
 6. Packing length per 22" Reel : 56 Meters.
 7. Component load per 13" Reel : 2000 pcs.

Circuits(0.5mm Pitch)	Dimension					Packing (Reel/Caton)
	E	F	W1	W2	W3	
5-9	16.0(.630)	—	16.5(.650)	22.5(.886)	16.5(.650)	11
10-25	24.0(.945)	—	24.5(.965)	30.5(1.201)	24.5(.965)	9
26-34	32.0(1.260)	28.40(1.118)	32.5(1.280)	38.5(1.516)	32.5(1.280)	7
35-57	44.0(1.732)	40.40(1.591)	44.5(1.752)	50.5(1.988)	44.5(1.752)	5
58-80	56.0(2.205)	52.50(2.067)	56.5(2.224)	62.5(2.461)	56.5(2.224)	4



WIDTH : 16.24 mm Carrier

WIDTH : 32.44,56 mm Carrier

RoHS Compliant

11	Sandy	2/16-16'	ECNT116028/ECRB116002		DATE	UNIT: mm / inch	TITLE: 0.50mm(.020") ZIF FFC/FPC ONE-TOUCH CONNECTOR	瀚荃股份有限公司 CviLux Corporation	
10	Enya	11/06-12'	ECN12272-0/ECR12080-1		DRAWN BY: Sandy	2/23-16'			TOLERANCE UNLESS OTHERWISE SPECIFIED
9	Sun	12/09-08'	ECN08604		ENGINEER: Sun	2/26-16'	.X ± .X' ± 1'	MATERIAL:	
8	Sun	12/07-07'	ECN07511		CHECKED BY: Eisley	3/04-16'	.XX ± .X' ±	FINISH:	
SYM	NAME	DATE	REVISIONS		APPROVED BY: Eisley	3/04-16'	.XXX ± .XX' ±	DRAWING NO. CF2502SL	PART NO. CF25***D0*0-05
								SCALE	SHEET 2 OF 2