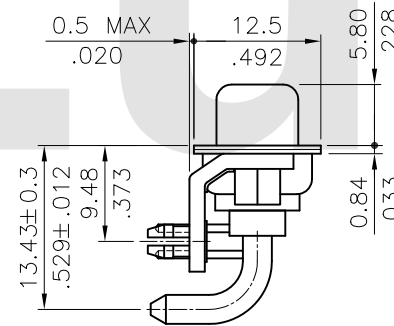


Notes:

- Insulator: Glass filled Polyester UL 94V-0
- Contact: Copper alloy
- Shell: Steel, Tin plated as standard
- High power Contact : Brass with Gold plated
- * For Lead Free Wave Flow Process



Lead Free Process

RoHS Compliant

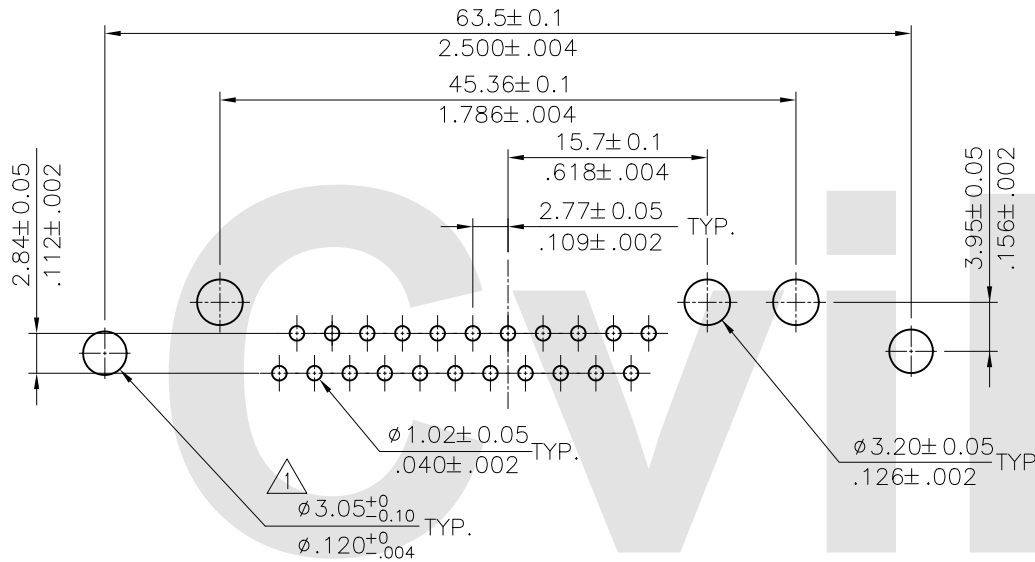
CIVILUX CORP
 2017.04.27
 ISSUED

4					DATE	UNIT: mm / inch	TITLE: 25W3 20A HIGH POWER FEMALE D-SUB CONNECTOR (RIGHT ANGLE TYPE)	瀚荃股份有限公司 CviLux Corporation		
3					DRAWN BY: Karen 4/20-17'	TOLERANCE UNLESS OTHERWISE SPECIFIED	MATERIAL:			
2					ENGINEER: Sun 4/21-17'	.X ± 0.30/012 X: ± 1'	FINISH:	SCALE 2 / 1	SHEET 1 OF 2	
1	Karen	4/18-17'	ECNT117049/ECRT117003	CHECKED BY: Eisley 4/21-17'	.XX ± 0.20/008 X: ±	.XXX ± 0.10/004 XX ±				
SYM	NAME	DATE	REVISIONS	APPROVED BY: Eisley 4/21-17'						

Ordering Code

25W3 S P H 3 2 1 20 110
 ① ② ③ ④ ⑤ ⑥ ⑦ ⑧ ⑨

- ① Series No.
- ② Connector Type: S= Receptacle
- ③ Contact type: P= High Power Contact
- ④ Contact tail style: H= Right Angle Dip type
- ⑤ High power contact plating:
 - 2= Gold flash plated over Nickel
 - 3= 15μ" Gold plated over Nickel
 - 4= 30μ" Gold plated over Nickel
 - 5= 50μ" Gold plated over Nickel
- ⑥ Signal contact plating:
 - 2= Gold flash plated over Nickel
 - 3= 15μ" Gold plated over Nickel
 - 4= 30μ" Gold plated over Nickel
- ⑦ Insulator color: 1= Black, 6= Green
- ⑧ Performance: 20= 20A
- ⑨ Mounting Style:
 - 000= With $\phi 3.05$ mm holes on shell
 - B00= Riveted #4-40 UNC open nuts on front shell
 - C00= Riveted #4-40 UNC open nuts on rear shell
 - I00= Riveted #4-40 UNC ground tabs with $\phi 3.2$ mm holes
 - I10= Riveted #4-40 UNC ground tabs with board locks(standard)



Recommended P.C Board Layout

Lead Free Process

RoHS Compliant

Mounting Style		Mounting Style		Mounting Style		Mounting Style		Mounting Style	
Code	000	Code	B00	Code	C00	Code	I00	Code	I10
			DIM. L= 4.0mm		DIM. L= 4.0mm		$\phi A=3.2$ mm		

④						DATE	UNIT: mm / inch	TITLE: 25W3 20A HIGH POWER FEMALE D-SUB CONNECTOR (RIGHT ANGLE TYPE) MATERIAL: FINISH:	瀚荃股份有限公司 CviLux Corporation
③			DRAWN BY: Karen		4/20-17'	TOLERANCE UNLESS OTHERWISE SPECIFIED	.X \pm 0.30/.012 .XX \pm 0.20/.008 .XXX \pm 0.10/.004		
②			ENGINEER: Sun		4/21-17'	X: \pm 1'			
①	Karen	4/18-17'	ECNT117049/ECRT117003		CHECKED BY: Eisley	4/21-17'			
SYM	NAME	DATE	REVISIONS	APPROVED BY: Eisley	4/21-17'			DRAWING NO. 25W312SC	PART NO. 25W3SPH***20***
								SCALE 2 / 1	SHEET 2 OF 2