

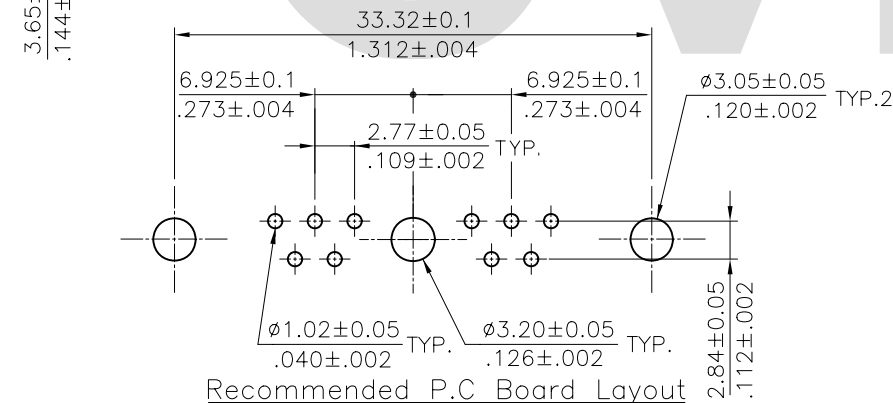
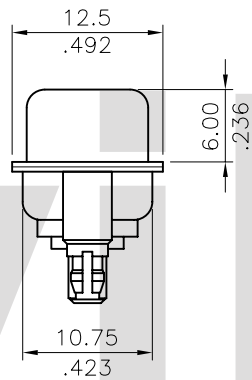
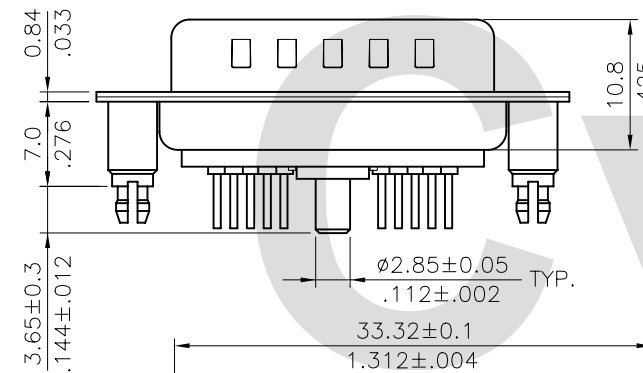
Material:

Insulator: Glass filled Polyester UL 94V-0

Contact: Copper alloy

Shell: Steel, Tin plated as standard

High power Contact :
Brass with Gold plated



Ordering Code

11W1 P P V 3 2 1 20 D00
① ② ③ ④ ⑤ ⑥ ⑦ ⑧ ⑨

- ① Series No.
- ② Connector Type: P= Plug
- ③ Contact type: P= High Power Contact
- ④ Contact tail style: V= Straight Dip type
- ⑤ High power contact plating:
2= Gold flash plated over Nickel
3= 15μ" Gold plated over Nickel
4= 30μ" Gold plated over Nickel
5= 50μ" Gold plated over Nickel
- ⑥ Singal contact plating:
2= Gold flash plated over Nickel
3= 15μ" Gold plated over Nickel
4= 30μ" Gold plated over Nickel
- ⑦ Insulator color: 1= Black, 6= Green
- ⑧ Performance: 20= 20A
- ⑨ Mounting Style:
000= With ø3.05mm holes on shell
B00= Riveted #4-40 UNC open nuts on front shell
C00= Riveted #4-40 UNC open nuts on rear shell
D00= Riveted #4-40 UNC ground stand-off on rear shell(standard)

Mounting Style

RoHS Compliant

Code	000	Code	B00	Code	C00	Code	D00
			DIM. L= 4.0mm		DIM. L= 4.0mm		DIM. L= 7.0mm

4				DATE	UNIT: mm / inch	TITLE: 11W1 20A HIGH POWER MALE D-SUB CONNECTOR (TOP ENTRY BOARD MOUNT TYPE) MATERIAL: FINISH:
3			DRAWN BY: Rita	10/18-01'	TOLERANCE UNLESS OTHERWISE SPECIFIED	
2			ENGINEER: David	10/19-01'	.X ± 0.30/012 X' ± 1'	
1			CHECKED BY: David	10/19-01'	.XX ± 0.20/008 .X' ±	
SYM	NAME	DATE	APPROVED BY: Alex	10/19-01'	.XXX ± 0.10/004 .XX' ±	

CVILUX.CORP
2001.10.22
ISSUED

瀚荃股份有限公司
CviLux Corporation

DRAWING NO.	11W107SB	PART NO.	11W1PPV***20*00
SCALE	2 / 1	SHEET	1 OF 1