

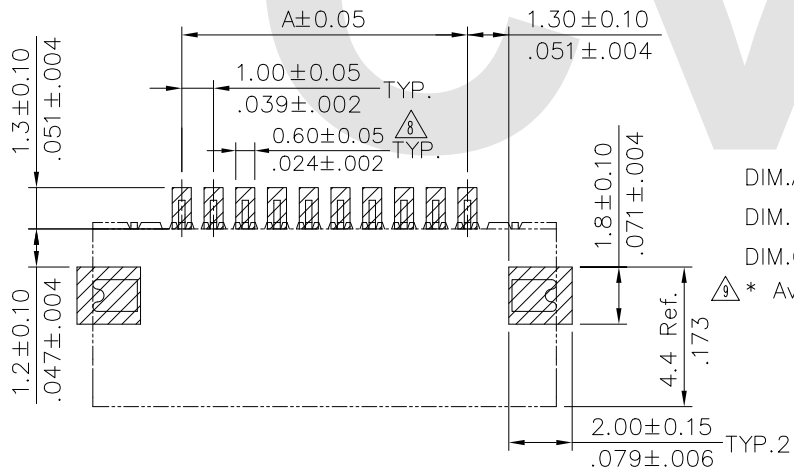
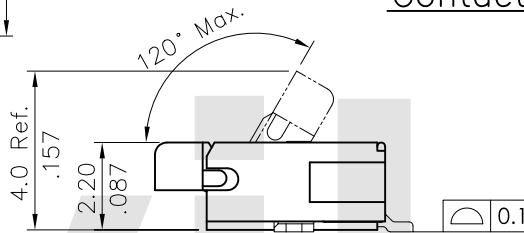
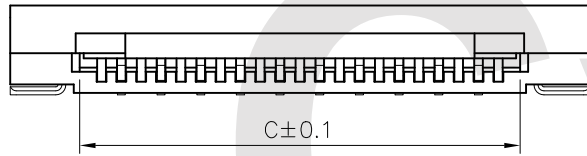
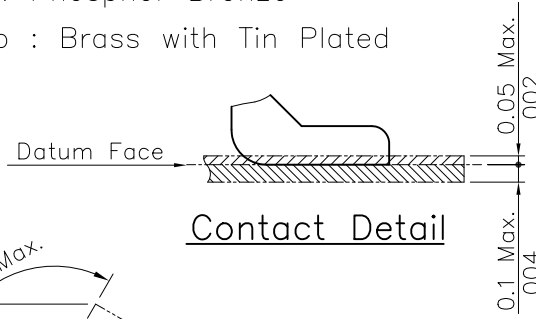
Material :

- \* Body : PA6T or PA9T With 30% GF. UL 94V-0 Color Nature(Ivory)
- \* Slider : PA6T or PA9T With 30% GF. UL 94V-0 Color Black
- \* Contact : Phosphor Bronze
- \* Fixed tab : Brass with Tin Plated

Ordering Code

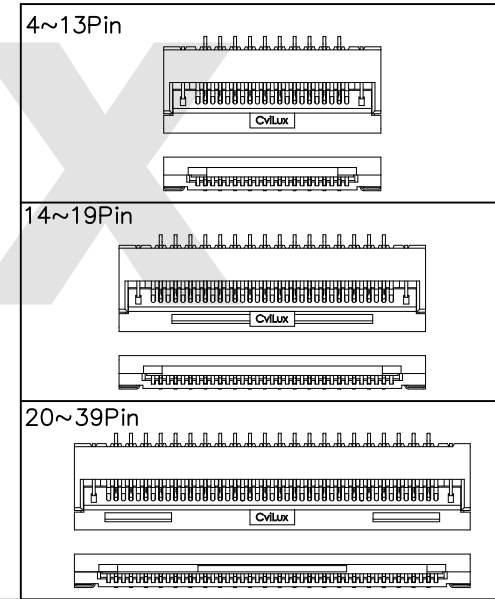
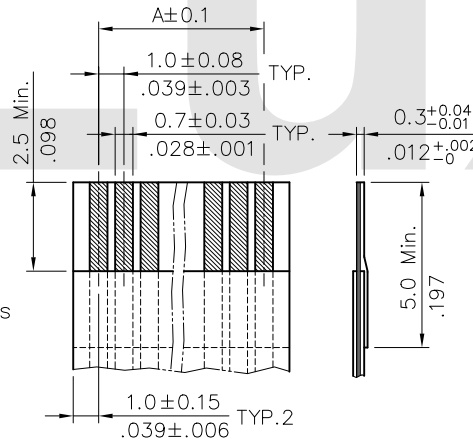
CF25 \*\* 1 D 0 \*0 - 10  
 ① ② ③ ④ ⑤ ⑥ ⑦

- ① Series No.
- ② No. of Circuits
- ③ Plating code:  
 1= Matte Tin plated over 1.27μm(50μ") Nickel  
 2= Gold flash over 50μ"min. Nickel
- ④ Contact style: D= Downside contact
- ⑤ Color: 0= Nature
- ⑥ Other option: R0= Tape & Reel  
 T0= Tube Packing
- ⑦ Pitch: 10= 1.00 mm



DIM.A = 1.00 x No. of Spaces  
 DIM.B = DIM.A + 5.6  
 DIM.C = DIM.A + 2.1

\* Available in 4 through 39 circuits




Recommended P.C. Board Layout

Accommodated FFC/FPC

Lead Free Process

RoHS compliant

△11	Sandy	3/8-16'	ECNT116028/ECRB116002		DATE	UNIT: mm / inch	TITLE: 1.00mm(.039") ZIF FFC/FPC ONE-TOUCH CONNECTOR	
△10	Enya	11/09-12'	ECN12272-0/ECR12080-1		DRAWN BY: Sandy	3/8-16'	TOLERANCE UNLESS OTHERWISE SPECIFIED	
△9	Sun	12/11-08'	ECN08604		ENGINEER: Sun	3/9-16'		.X ± 0.15/.006 X' ± 1'
△8	Sun	12/07-07'	ECN07511		CHECKED BY: Eisley	3/14-16'	.XX ± 0.10/.004 X' ±	
SYM	NAME	DATE	REVISIONS		APPROVED BY: Eisley	3/14-16'	.XXX ± 0.05/.002 X' ±	MATERIAL:
							FINISH:	



瀚荃股份有限公司  
 CviLux Corporation

DRAWING NO.	CF2501SM	PART NO.	CF25***D0*0-10
SCALE	5 / 1	SHEET	1 OF 2

