

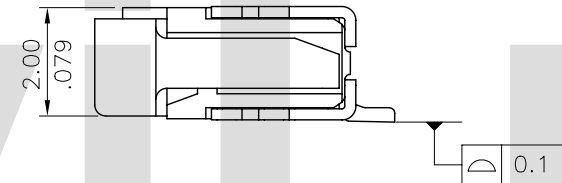
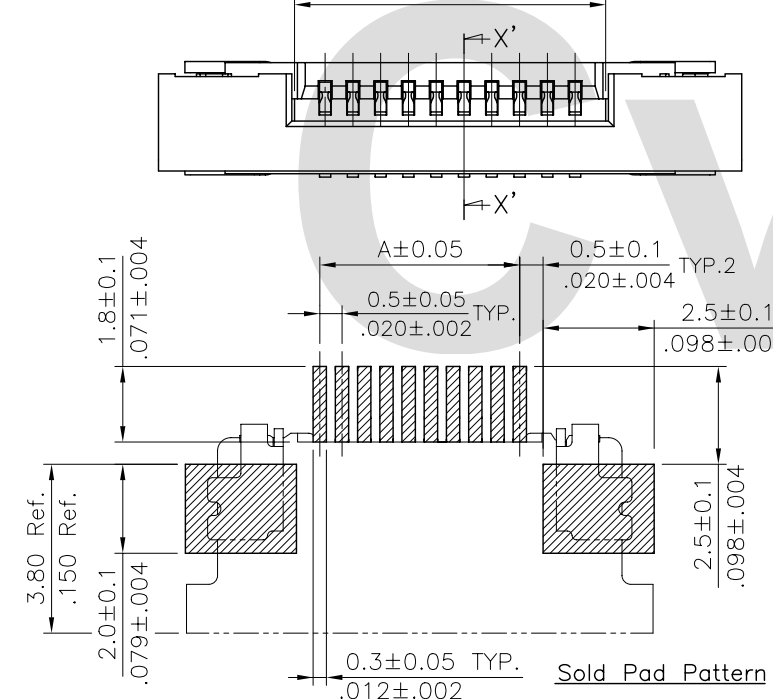
### Ordering Code

CF20 10 2 U 0 \*0 -NH  
 ① ② ③ ④ ⑤ ⑥ ⑦

- ① Series No.
- ② No. of Circuits
- ③ Plating code:  
2= Gold flash plated over  
1.27μm(50μ") Nickel
- ④ Contact style: U= Upside contact
- ⑤ Color: 0= Nature
- ⑥ Other option: R0= Tape & Reel  
T0= Tube Packing
- ⑦ Other option:  
NH= For Lead Free IR Processes  
and Halogen-Free

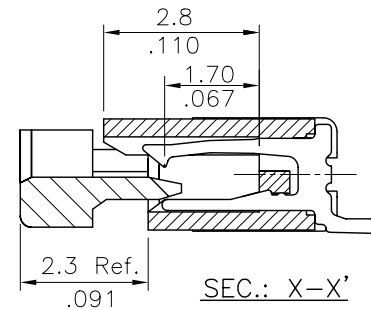
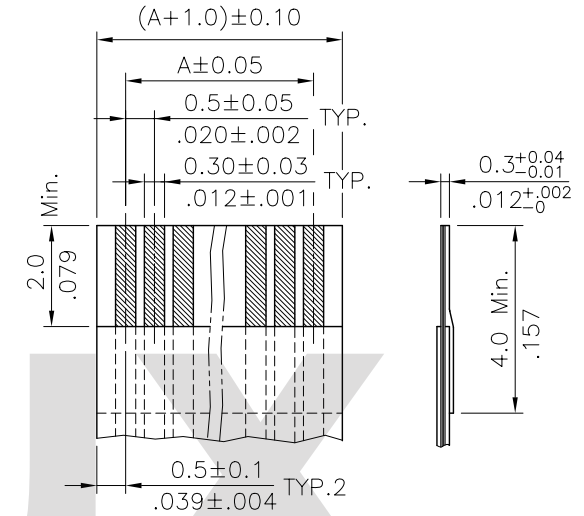
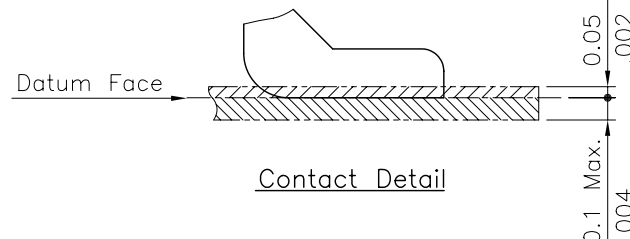
### Material :

- \* Body : High temperature plastic UL 94V-0  
Color Nature
- \* Slider : High temperature plastic UL 94V-0  
Color Black
- \* Contact : Copper alloy with Matte Tin plated
- \* Fixed tab : Copper alloy with Matte Tin plated



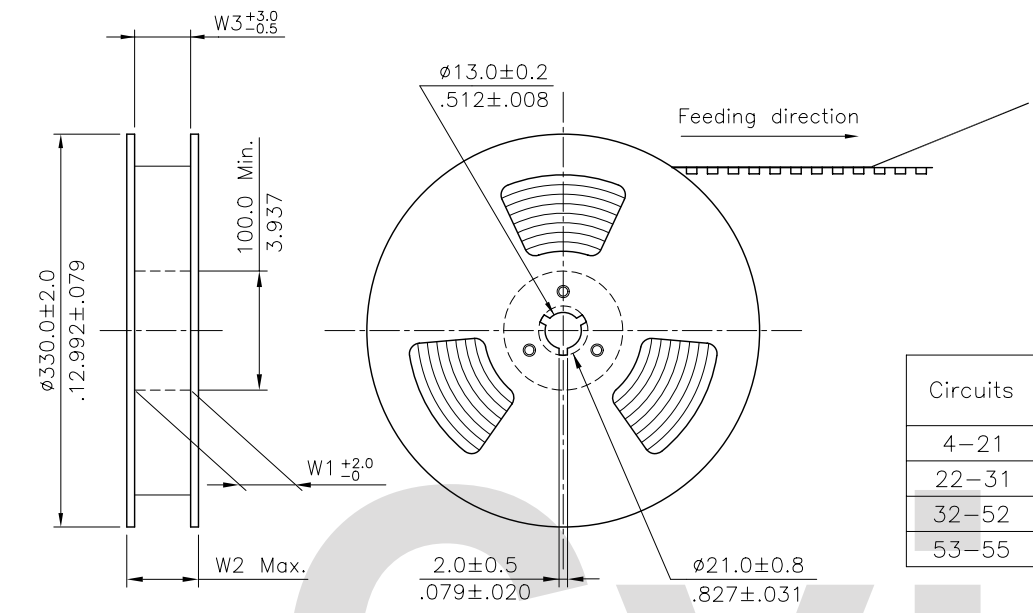
A = 0.50 \* No. of Spaces  
 B = A + 6.0  
 C = A + 1.1

\* Available in 4 through 55 circuits



Halogen-Free  
 Lead Free Process  
 RoHS Compliant

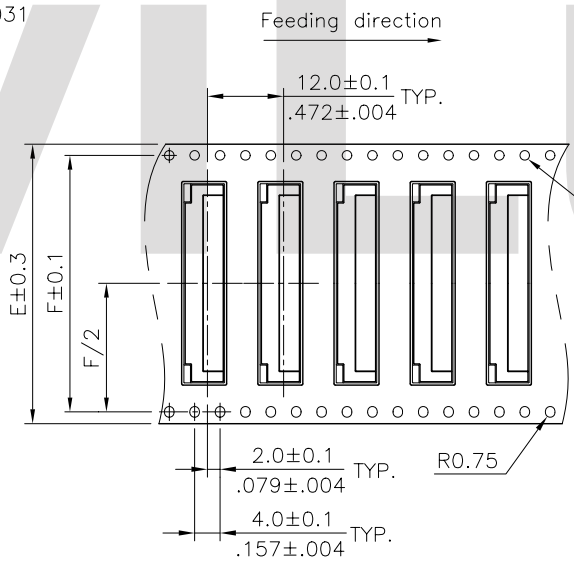
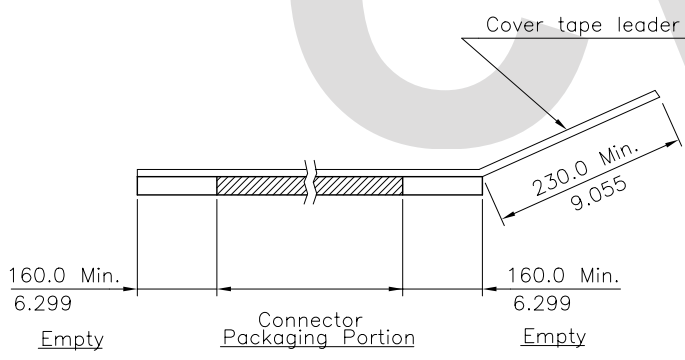
④					DATE	UNIT: mm / inch	TITLE: 0.50mm(.031") ZIF FFC/FPC UPSIDE CONTACT SURFACE MOUNT CONNECTOR	瀚荃股份有限公司 CviLux Corporation	
③				DRAWN BY: Karen	12/30-08'	TOLERANCE UNLESS OTHERWISE SPECIFIED	MATERIAL:		DRAWING NO. CF2097SA
②				ENGINEER: Easley	12/30-08'	.X ± 0.15/.006 X' ± 1'	FINISH:		PART NO. CF20**2U0*0-NH
①				CHECKED BY: David	12/30-08'	.XX ± 0.10/.004 X' ±			SCALE 7 / 1
SYM	NAME	DATE	REVISIONS	APPROVED BY: Alex	12/30-08'	.XXX ± 0.05/.002 X' ±		SHEET 1 OF 2	



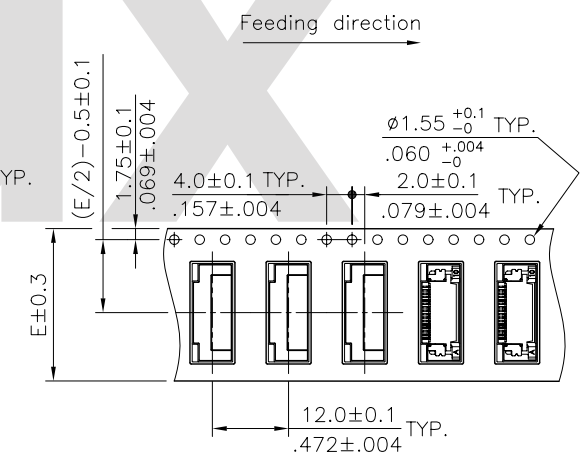
NOTE :

- \* Reel Material : HIPS
- \* Carrier Material : Clear, Conductive Polystyrene Alloy
- \* Cover Tape Material : Polyester
- \* Cover Tape Peel Strength : 0.1N – 1.3N
- \* Carrier camber is within 1mm in 100mm
- \* All dimensions meet EIA-481-2 & EIA-481-3 requirements.
- \* Quantity : 2000 PCS/Reel

Circuits	Dimension					Packing (Reel/Caton)
	E	F	W1	W2	W3	
4-21	24.0(.945)	-	24.5(.965)	30.5(1.200)	24.5(.965)	9
22-31	32.0(1.260)	28.40(1.118)	32.5(1.280)	38.5(1.516)	32.5(1.280)	7
32-52	44.0(1.732)	40.40(1.596)	44.5(1.752)	50.5(1.988)	44.5(1.752)	5
53-55	56.0(2.205)	52.40(2.063)	56.5(2.224)	62.5(2.461)	56.5(2.224)	4



WIDTH : 32,44,56 mm Carrier



WIDTH : 24 mm Carrier

RoHS Compliant

4						DATE	UNIT: mm / inch	TITLE: 0.50mm(.031") ZIF FFC/FPC UPSIDE CONTACT SURFACE MOUNT CONNECTOR	瀚荃股份有限公司 CviLux Corporation
3					DRAWN BY: Karen	12/30-08'	TOLERANCE UNLESS OTHERWISE SPECIFIED		
2					ENGINEER: Easley	12/30-08'	.X ±	.X' ± 1'	FINISH:
1					CHECKED BY: David	12/30-08'	.XX ±	.X' ±	
SYM	NAME	DATE	REVISIONS	APPROVED BY: Alex	12/30-08'	.XXX ±	.XX' ±	SCALE	DRAWING NO. CF2097SA PART NO. CF20**2U0*0-NH SHEET 2 OF 2