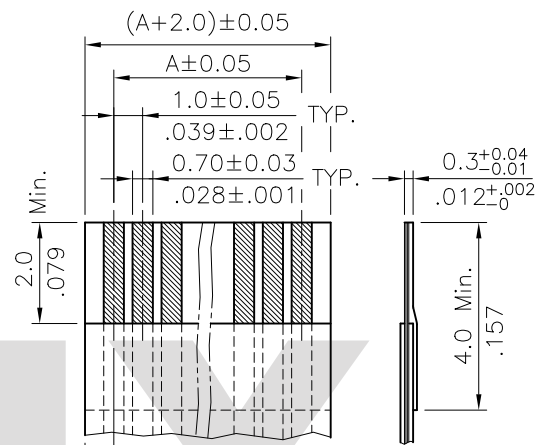
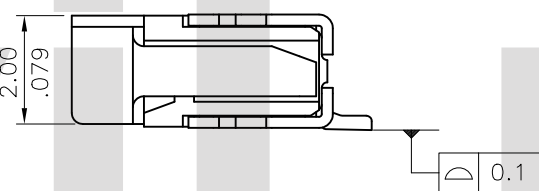
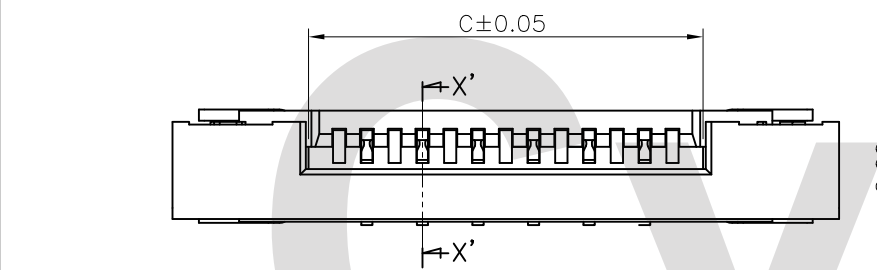


Ordering Code

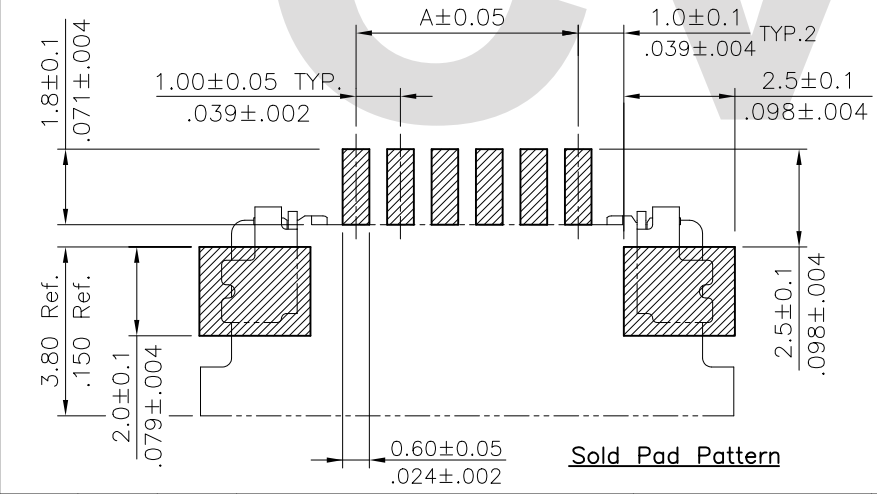
CF20 ** 1 U 0 *0 -10
 ① ② ③ ④ ⑤ ⑥ ⑦

- ① Series No.
- ② No. of Circuits
- ③ Plating code:
1 = 3.05μm(120μ") Min. Matte Tin over 0.76μm(30μ") Nickel
- ④ Contact style: U= Upside contact
- ⑤ Color: 0= Nature
- ⑥ Other option: R0= Tape & Reel
T0= Tube Packing
- ⑦ Pitch: 10= 1.00 mm

Material :
 * Body : High temperature plastic UL 94V-0
 Color Nature(Ivory)
 * Slider : High temperature plastic UL 94V-0
 Color Black
 * Contact : Copper alloy with Matte Tin plated
 * Fixed tab : Copper alloy with Matte Tin plated

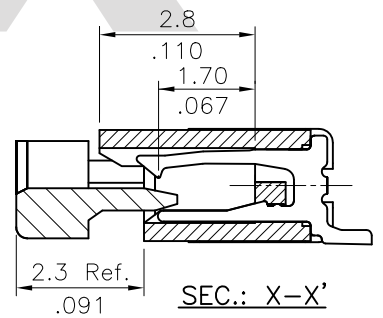
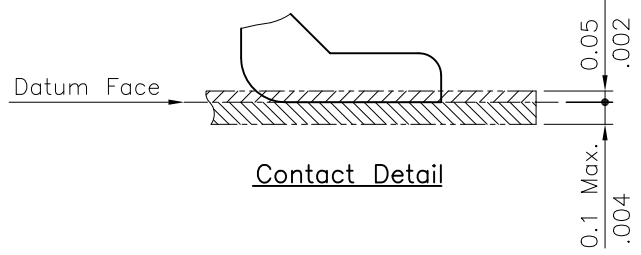


Accommodated FFC/FPC



A = 1.00 * No. of Spaces
 B = A + 7.0
 C = A + 2.1

* Available in 2 through 27 circuits



Lead Free Process RoHS Compliant

④					DATE	UNIT: mm / inch	TITLE: 1.00mm(.039") ZIF FFC/FPC UPSIDE CONTACT SURFACE MOUNT CONNECTOR
③					DRAWN BY: Karen	9/10-13'	TOLERANCE UNLESS OTHERWISE SPECIFIED
②					ENGINEER: Easley	9/11-13'	
①	Karen	9/10-13'	ECNT113056		CHECKED BY: Easley	9/11-13'	MATERIAL:
SYM	NAME	DATE	REVISIONS	APPROVED BY: David	9/11-13'		

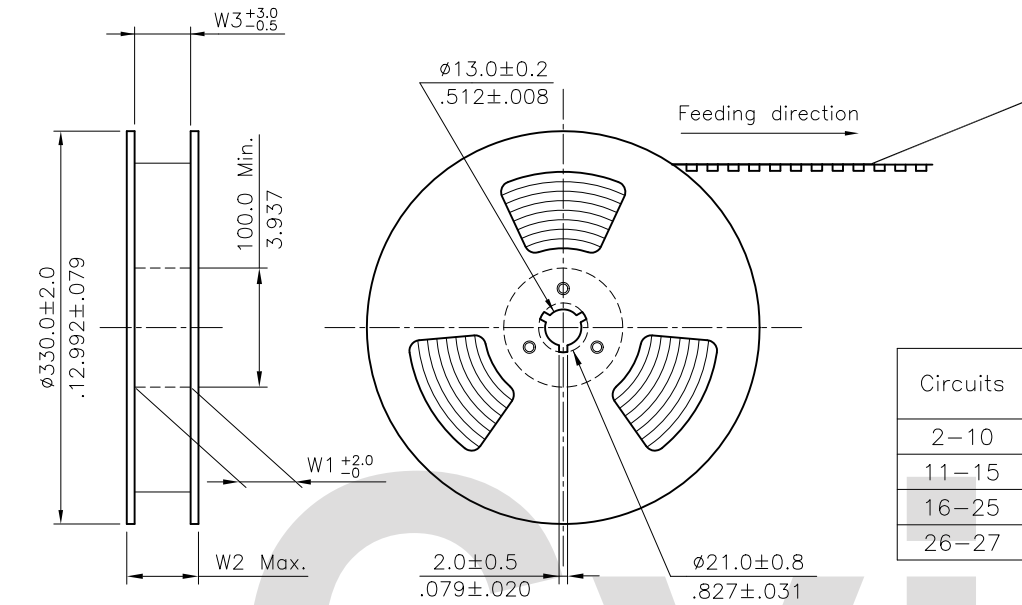
CVILUX CORP
 2013.10.04
 ISSUED

瀚荃股份有限公司
 CviLux Corporation

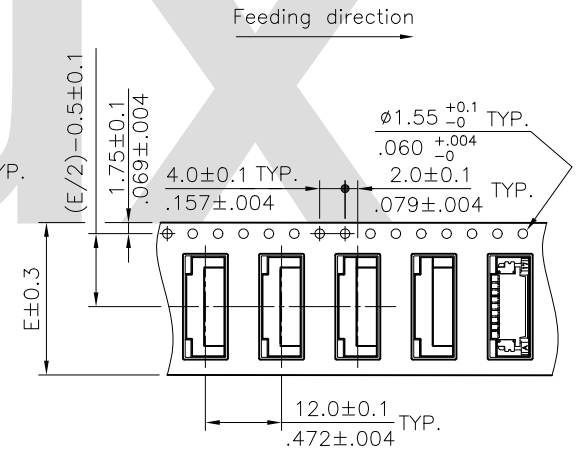
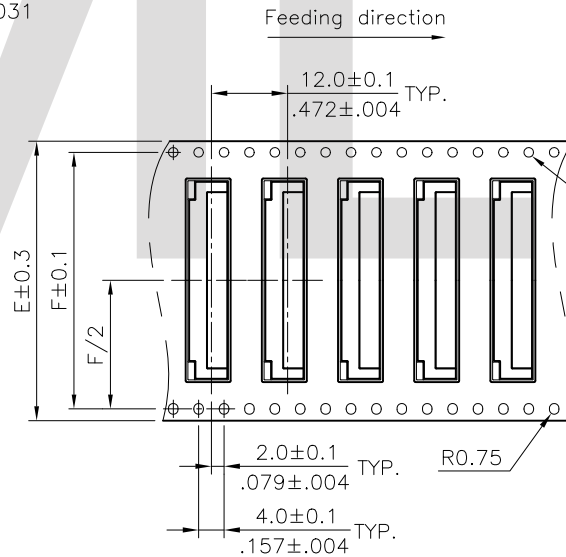
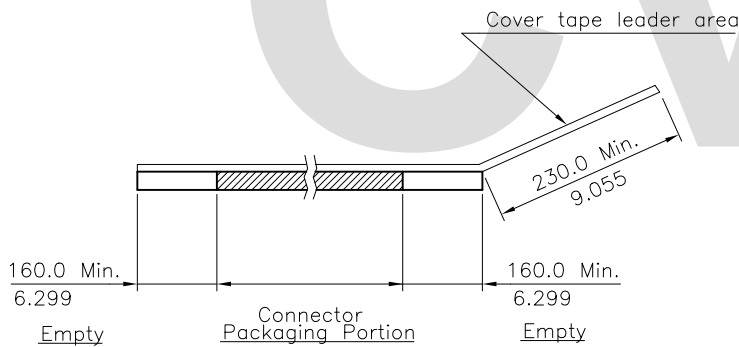
DRAWING NO.	CF2093SB	PART NO.	CF20**1U0R0-10
SCALE	7 / 1	SHEET	1 OF 2

NOTE :

- * Reel Material : Corrugated Paper
- * Carrier Material : Clear, Conductive Polystyrene Alloy
- * Cover Tape Material : Polyester
- * Cover Tape Peel Strength : 0.1N – 1.3N
- * Carrier camber is within 1mm in 100mm
- * All dimensions meet EIA-481-2 & EIA-481-3 requirements.
- * Quantity : 2000 PCS/Reel




Circuits	Dimension					Packing (Reel/Caton)
	E	F	W1	W2	W3	
2-10	24.0(.945)	-	24.5(.965)	30.5(1.200)	24.5(.965)	9
11-15	32.0(1.260)	28.40(1.118)	32.5(1.280)	38.5(1.516)	32.5(1.280)	7
16-25	44.0(1.732)	40.40(1.596)	44.5(1.752)	50.5(1.988)	44.5(1.752)	5
26-27	56.0(2.205)	52.40(2.063)	56.5(2.224)	62.5(2.461)	56.5(2.224)	4



WIDTH : 24 mm Carrier

WIDTH : 32,44,56 mm Carrier

RoHS Compliant

SYM	NAME	DATE	REVISIONS	APPROVED BY:	DATE	UNIT: mm / inch	TITLE: 0.50mm(.031") ZIF FFC/FPC UPSIDE CONTACT SURFACE MOUNT CONNECTOR	 瀚荃股份有限公司 CviLux Corporation
4								
3				DRAWN BY: Karen	9/10-13'	TOLERANCE UNLESS OTHERWISE SPECIFIED		SCALE
2				ENGINEER: Easley	9/11-13'	.X ± X' ± I'	MATERIAL:	
1	Karen	9/10-13'	ECNT113056	CHECKED BY: Easley	9/11-13'	.XX ± .X ±	FINISH:	
				APPROVED BY: David	9/11-13'	.XXX ± .XX ±		

