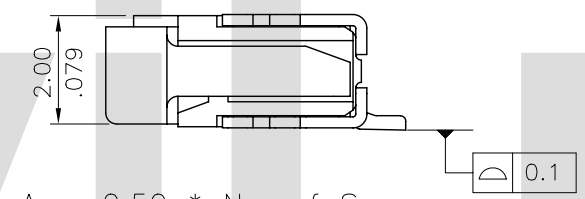
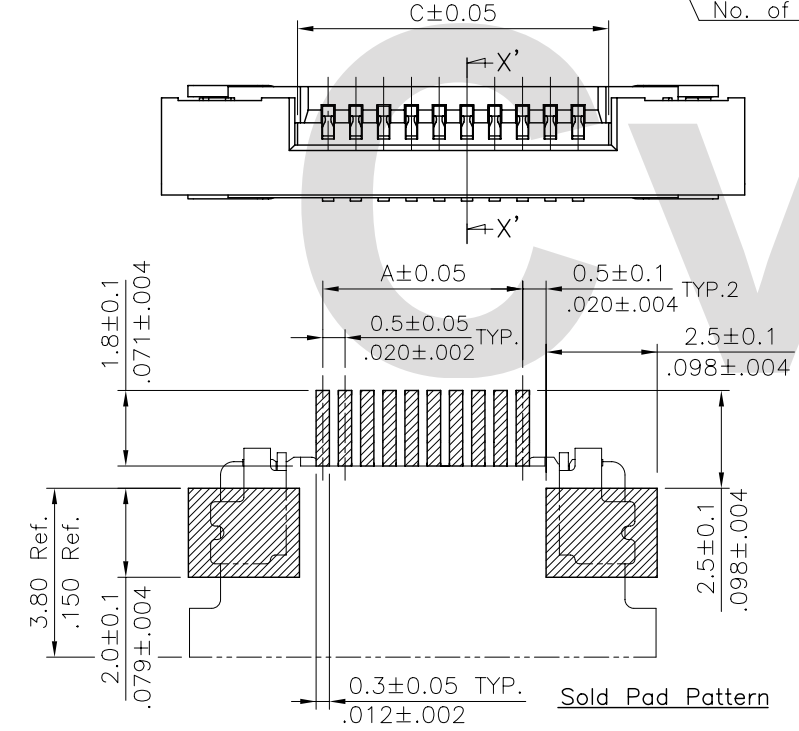


Ordering Code

CF20 ** 1 U 0 ** -LF
 ① ② ③ ④ ⑤ ⑥ ⑦

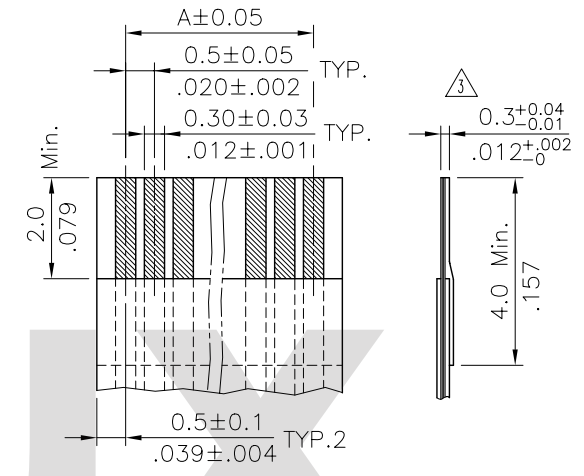
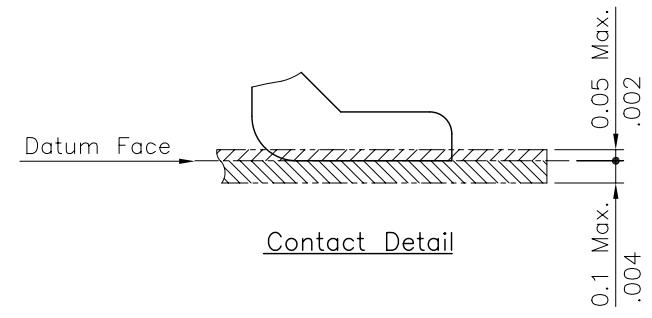
- ① Series No.
- ② No. of Circuits
- ③ Plating code:
1 = 3.05µm(120µ") Min. Matte Tin
over 0.76µm(30µ") Nickel
- ④ Contact style: U = Upside contact
- ⑤ Color: 0 = Nature
- ⑥ Other option: R0 = Tape & Reel
T0 = Tube Packing
- ⑦ Other option:
-LF = For Lead Free IR Processes

- △ Material :
 - * Body : High temperature plastic UL 94V-0
Color Nature(Ivory)
 - * Slider : High temperature plastic UL 94V-0
Color Black
 - * Contact : Copper alloy with Matte Tin plated
 - * Fixed tab : Copper alloy with Matte Tin plated

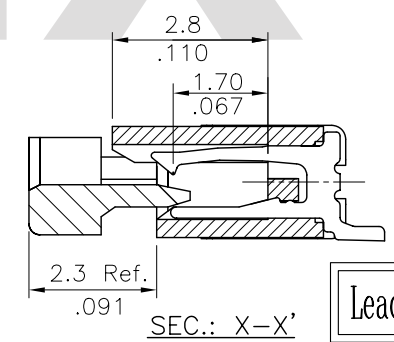


A = 0.50 * No. of Spaces
 B = A + 6.0
 C = A + 1.1

△ * Available in 4 through 55 circuits

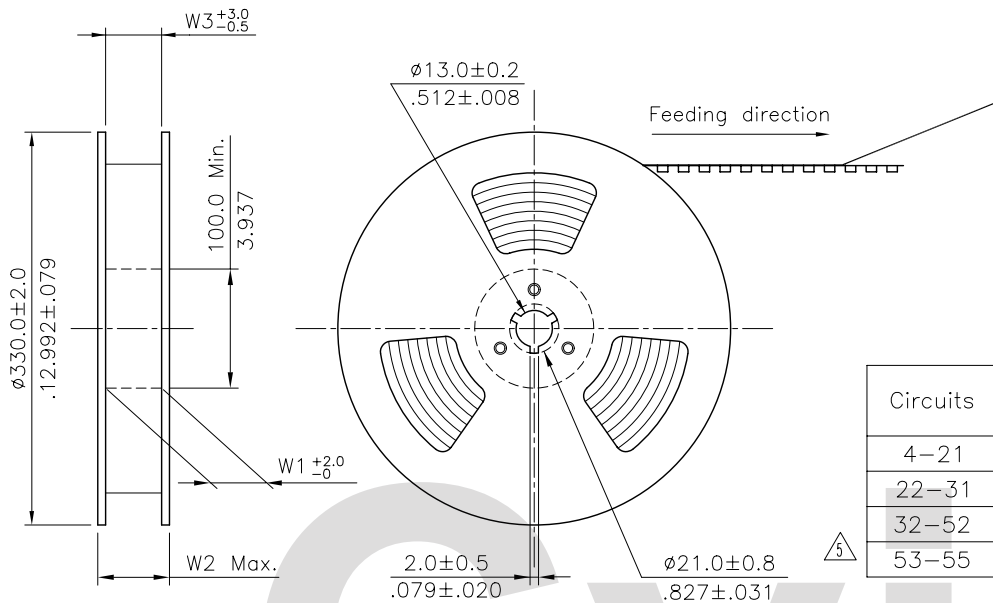


Accommodated FFC/FPC



Lead Free Process
 RoHS Compliant

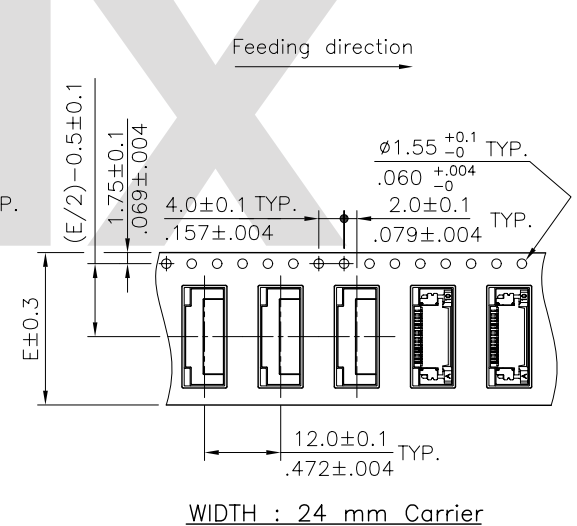
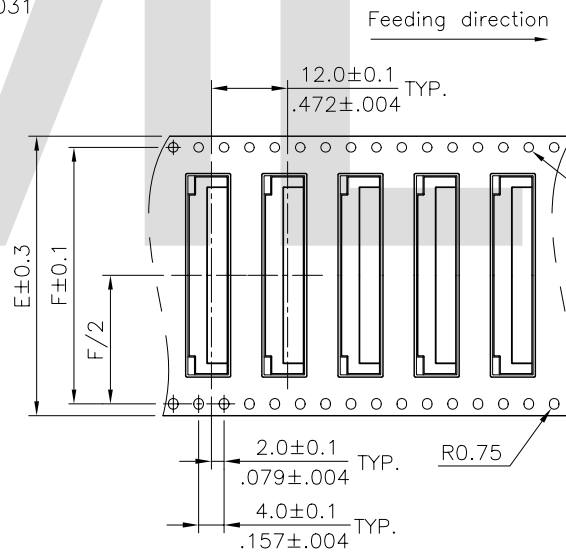
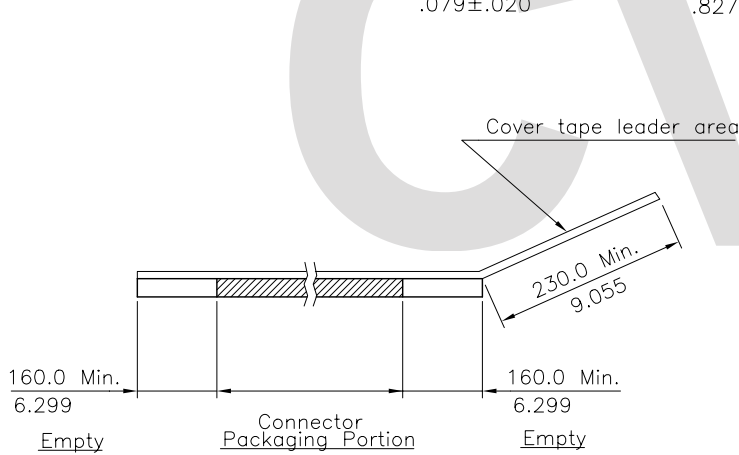
⑤	Sandy	11/26-08	ECN08577		DATE	UNIT: mm / inch	TITLE: 0.50mm(.031") ZIF FFC/FPC UPSIDE CONTACT SURFACE MOUNT CONNECTOR	瀚荃股份有限公司 CviLux Corporation	
④	Sandy	1/28-08	ECN08024/ECR08004-1		DRAWN BY: Sandy	11/26-08'			TOLERANCE UNLESS OTHERWISE SPECIFIED
③	Sandy	9/22-07	ECN07381/ECR07065-1		ENGINEER: Easley	12/1-08'			.X ± 0.15/.006 X' ± 1'
②	Sandy	4/29-07	ECN07153		CHECKED BY: David	12/1-08'			.XX ± 0.10/.004 .X' ±
SYM	NAME	DATE	REVISIONS		APPROVED BY: Alex	12/1-08'			.XXX ± 0.05/.002 .XX' ±
MATERIAL:								DRAWING NO. CF2033SF	PART NO. CF20**1U0**-LF
FINISH:								SCALE 7 / 1	SHEET 1 OF 2



NOTE :

- * Reel Material : HIPS
- * Carrier Material : Clear, Conductive Polystyrene Alloy
- * Cover Tape Material : Polyester
- * Cover Tape Peel Strength : 0.1N – 1.3N
- * Carrier camber is within 1mm in 100mm
- * All dimensions meet EIA-481-2 & EIA-481-3 requirements.
- * Quantity : 2000 PCS/Reel

Circuits	Dimension					Packing (Reel/Caton)
	E	F	W1	W2	W3	
4-21	24.0(.945)	-	24.5(.965)	30.5(1.200)	24.5(.965)	9
22-31	32.0(1.260)	28.40(1.118)	32.5(1.280)	38.5(1.516)	32.5(1.280)	7
32-52	44.0(1.732)	40.40(1.596)	44.5(1.752)	50.5(1.988)	44.5(1.752)	5
53-55	56.0(2.205)	52.40(2.063)	56.5(2.224)	62.5(2.461)	56.5(2.224)	4



WIDTH : 32,44,56 mm Carrier

RoHS Compliant

SYM	NAME	DATE	REVISIONS	APPROVED BY:	DATE	UNIT: mm / inch	TITLE: 0.50mm(.031") ZIF FFC/FPC UPSIDE CONTACT SURFACE MOUNT CONNECTOR	MATERIAL:	FINISH:	DRAWING NO.	PART NO.	SHEET	OF	OF
5	Sandy	11/26-08	ECN08577											
4	Sandy	1/28-08	ECN08024/ECR08004-1	CVILUX CORP	11/26-08'									
3	Sandy	9/22-07	ECN07381/ECR07065-1	2008.12.09	12/1-08'									
2	Sandy	4/29-07	ECN07153	ISSUED	12/1-08'									



DRAWING NO. CF2033SF PART NO. CF20**1U0**-LF
SCALE SHEET 2 OF 2