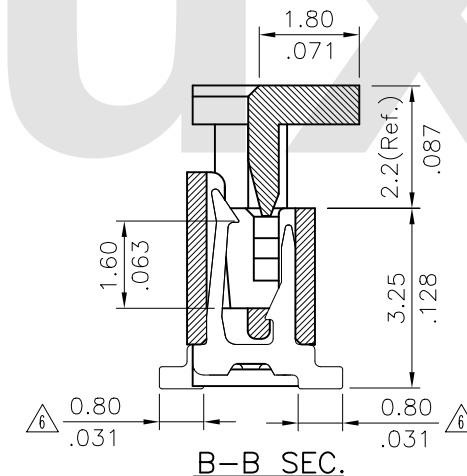
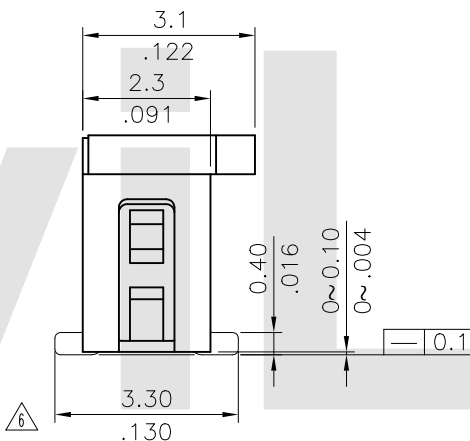


A = 0.50 x No. of Spaces
 B = A + 5.5
 C = A + 1.2
 D = A + 6.8

* Available in 4 through 50 circuits



Notes :

- * Body : NYLON 46 With 40% GF. UL 94V-0, Color Nature
- * Slider : NYLON 6T With 30% GF. UL 94V-0, Color Black
- * Contact : Phosphor Bronze, With Matte Tin plated
- * Fixed tab : Brass, With Tin plated
- * For Tin-Lead IR Reflow process

Ordering Code

CF20 50 1 V 0 R 0
 ① ② ③ ④ ⑤ ⑥ ⑦

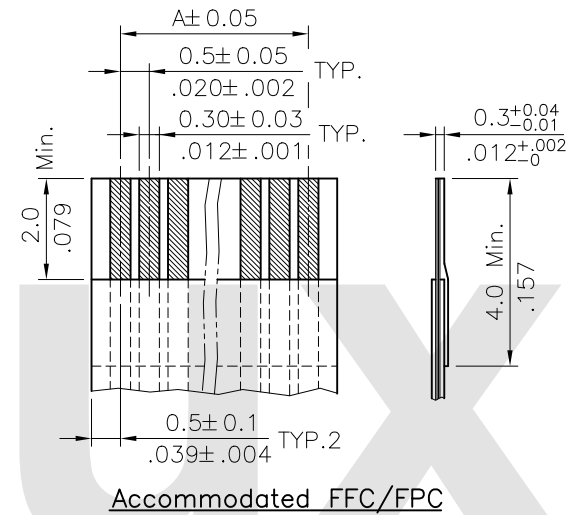
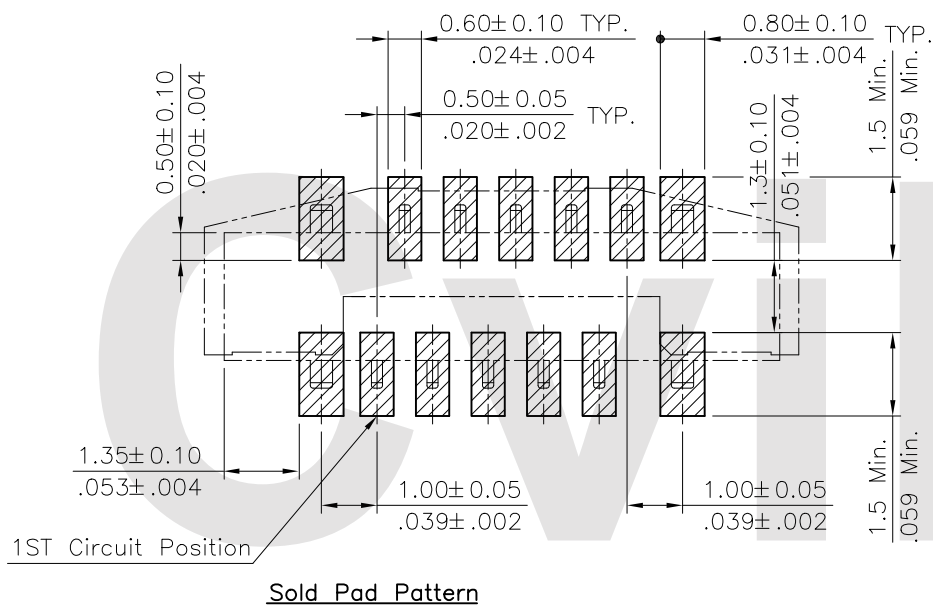
- ① Series No.
- ② No. of Circuits
- ③ Plating code: 1= 3.05μm(120μ") Min. Matte Tin over 0.76μm(30μ") Nickel
- ④ Contact style: V= Vertical Type
- ⑤ Color: 0= Nature
- ⑥ Packing Type: R= Tape & Reel; T= Tube Packing
- ⑦ Other options: 0 = Standard

Tin-Lead Process

RoHS Compliant

⑨	Sandy	4/7-17'	ECNT117082	 2017.04.20 ISSUED		DATE	UNIT: mm / inch	TITLE: 0.50mm(.020") ZIF FFC/FPC VERTICAL TYPE SURFACE MOUNT CONNECTOR	
⑧	Karen	11/11-13'	ECNT113116		DRAWN BY: Sandy	4/11-17'	TOLERANCE UNLESS OTHERWISE SPECIFIED		
⑦	Sun	10/11-11'	ECR11040-1/ECN11179		ENGINEER: Sun	4/12-17'	.X ± 0.15/006		.X' ± 1'
⑥	Una	8/11-10'	ECN10283		CHECKED BY: Eisley	4/19-17'	.XX ± 0.10/004		.X' ±
SYM	NAME	DATE	REVISIONS		APPROVED BY: Eisley	4/19-17'	.XXX ± 0.05/002		.XX' ±
								MATERIAL:	
								FINISH:	
			DRAWING NO. CF2007SH	PART NO. CF20**1V0*0					
			SCALE 7 / 1	SHEET 1 OF 3					

瀚荃股份有限公司
 CviLux Corporation

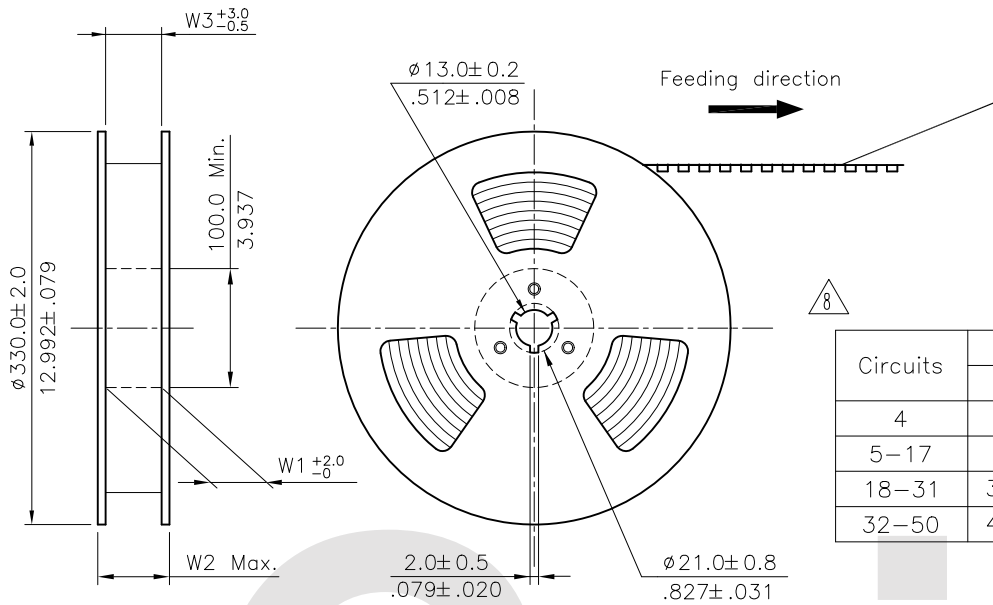


Tin-Lead Process RoHS compliant

9	Sandy	4/7-17'	ECNT117082			DATE	UNIT: mm / inch	TITLE: 0.50mm(.020") ZIF FFC/FPC VERTICAL TYPE SURFACE MOUNT CONNECTOR	
8	Karen	11/11-13'	ECNT113116		DRAWN BY: Sandy	4/11-17'	TOLERANCE UNLESS OTHERWISE SPECIFIED		
7	Sun	10/11-11'	ECR11040-1/ECN11179		ENGINEER: Sun	4/12-17'	.X ± 0.15/.006		.X' ± 1'
6	Una	8/11-10'	ECN10283		CHECKED BY: Eisley	4/19-17'	.XX ± 0.10/.004		.X' ±
SYM	NAME	DATE	REVISIONS		APPROVED BY: Eisley	4/19-17'	.XXX ± 0.05/.002		.XX' ±

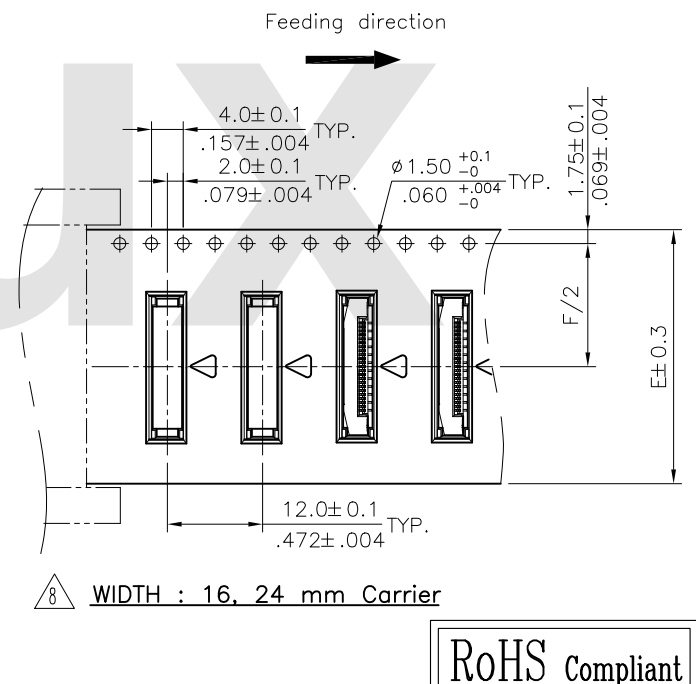
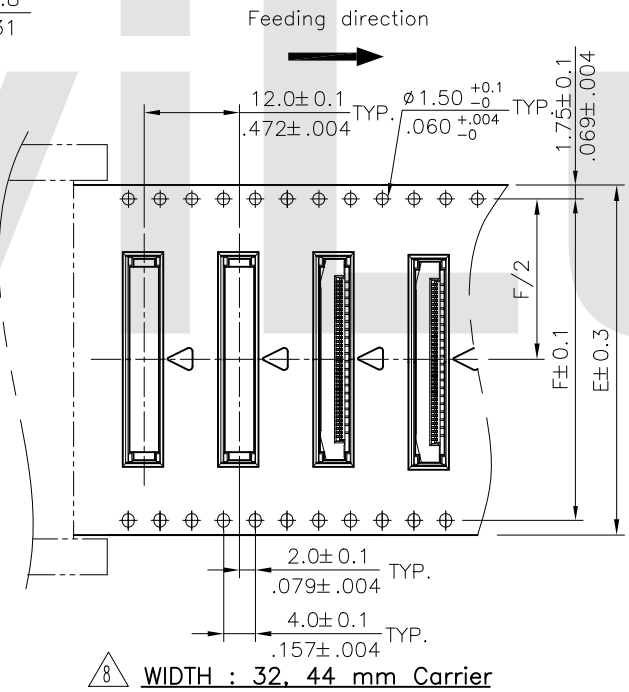
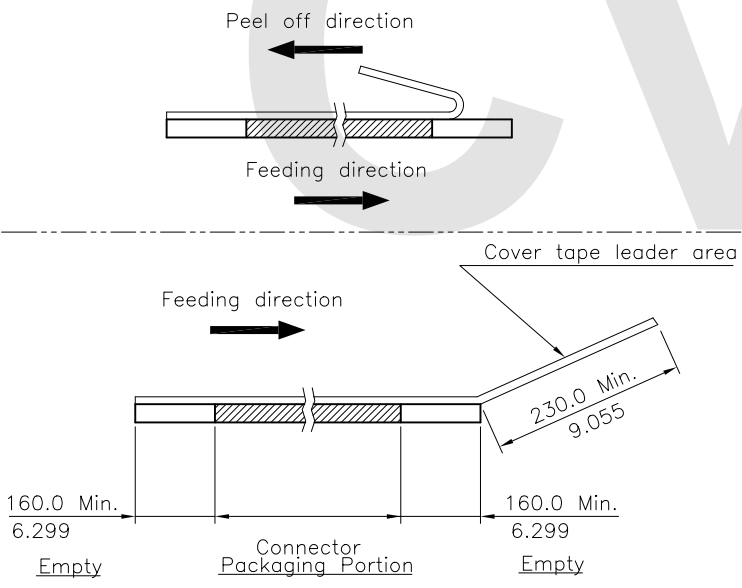
瀚荃股份有限公司
CviLux Corporation

DRAWING NO.	CF2007SH	PART NO.	CF20**1V0*0
SCALE	7 / 1	SHEET	2 OF 3



- NOTE :
- * Reel Material : Corrugated Paper
 - * Carrier Material : Clear, Conductive Polystyrene Alloy
 - * Cover Tape Material : Polyester
 - * Cover Tape Peel Strength : 0.1N – 1.3N
 - * Carrier camber is within 1mm in 100mm
 - * All dimensions meet EIA-481-2 & EIA-481-3 requirements
 - * Quantity : 1000 PCS/Reel

Circuits	Dimension					Packing (Reel/Cartron)
	E	F	W1	W2	W3	
4	16.0(.630)	—	16.5(.650)	22.5(.886)	16.5(.650)	11
5-17	24.0(.945)	—	24.5(.965)	30.5(1.200)	24.5(.965)	9
18-31	32.0(1.260)	28.40(1.118)	32.5(1.280)	38.5(1.516)	32.5(1.280)	7
32-50	44.0(1.732)	40.40(1.596)	44.5(1.752)	50.5(1.988)	44.5(1.752)	5



WIDTH : 32, 44 mm Carrier

WIDTH : 16, 24 mm Carrier

RoHS Compliant

SYM	NAME	DATE	REVISIONS	APPROVED BY:	DATE	UNIT: mm / inch	TITLE: 0.50mm(.020") ZIF FFC/FPC VERTICAL TYPE SURFACE MOUNT CONNECTOR	MATERIAL:	FINISH:	DRAWING NO. CF2007SH	PART NO. CF20**1V0*0	SCALE	SHEET 3 OF 3
9	Sandy	4/7-17'	ECNT117082			DATE							
8	Karen	11/11-13'	ECNT113116			UNIT: mm / inch							
7	Sun	10/11-11'	ECR11040-1/ECN11179			TOLERANCE UNLESS OTHERWISE SPECIFIED							
6	Una	8/11-10'	ECN10283			.X ±							
						.XX ±							
						.XXX ±							

CIVILUX CORP
2017.04.20
ISSUED

瀚荃股份有限公司
CviLux Corporation