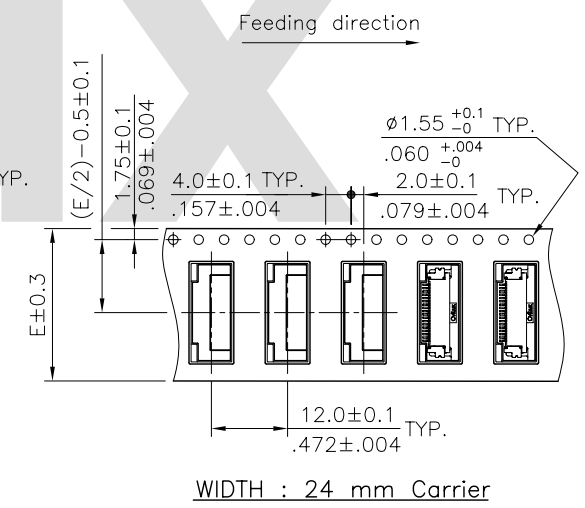
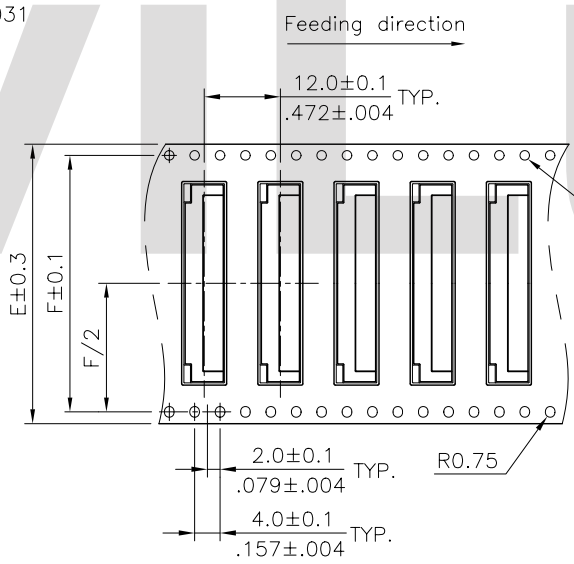
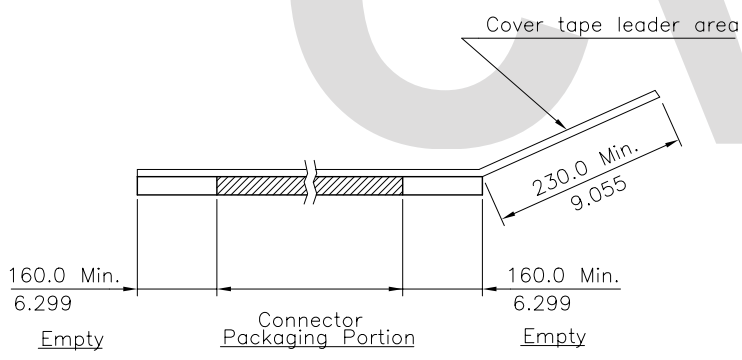


NOTE :

- \* Reel Material : HIPS
- \* Carrier Material : Clear, Conductive Polystyrene Alloy
- \* Cover Tape Material : Polyester
- \* Cover Tape Peel Strength : 0.1N – 1.3N
- \* Carrier camber is within 1mm in 100mm
- \* All dimensions meet EIA-481-2 & EIA-481-3 requirements.
- \* Quantity : 2000 PCS/Reel

Circuits	Dimension					Packing (Reel/Caton)
	E	F	W1	W2	W3	
4-21	24.0(.945)	-	24.5(.965)	30.5(1.200)	24.5(.965)	9
22-31	32.0(1.260)	28.40(1.118)	32.5(1.280)	38.5(1.516)	32.5(1.280)	7
32-52	44.0(1.732)	40.40(1.596)	44.5(1.752)	50.5(1.988)	44.5(1.752)	5
53-55	56.0(2.205)	52.40(2.063)	56.5(2.224)	62.5(2.461)	56.5(2.224)	4



RoHS Compliant

	Karen	8/25-09'	ECN09434/ECRO9116-0		DATE	UNIT: mm / inch	TITLE: 0.50mm(.031") ZIF FFC/FPC DOWNSIDE CONTACT SURFACE MOUNT CONNECTOR	瀚荃股份有限公司 CviLux Corporation	DRAWING NO. CF2001SG    PART NO. CF20**1D0T0 CF20**1D0R0	
	Sandy	1/26-08'	ECN08577		DRAWN BY: Karen	9/29-09'				TOLERANCE UNLESS OTHERWISE SPECIFIED
	Sandy	1/28-08'	ECN08024/ECRO8004-1		ENGINEER: Eisley	10/5-09'				.X ±            .X' ± 1'
	Sandy	9/22-07'	ECN07381/ECRO7065-1		CHECKED BY: David	10/5-09'				.XX ±           .X' ±
SYM	NAME	DATE	REVISIONS	APPROVED BY: Alex	10/5-09'	.XXX ±        .XX' ±	FINISH:	SCALE	SHEET 2 OF 2	