

Notes:

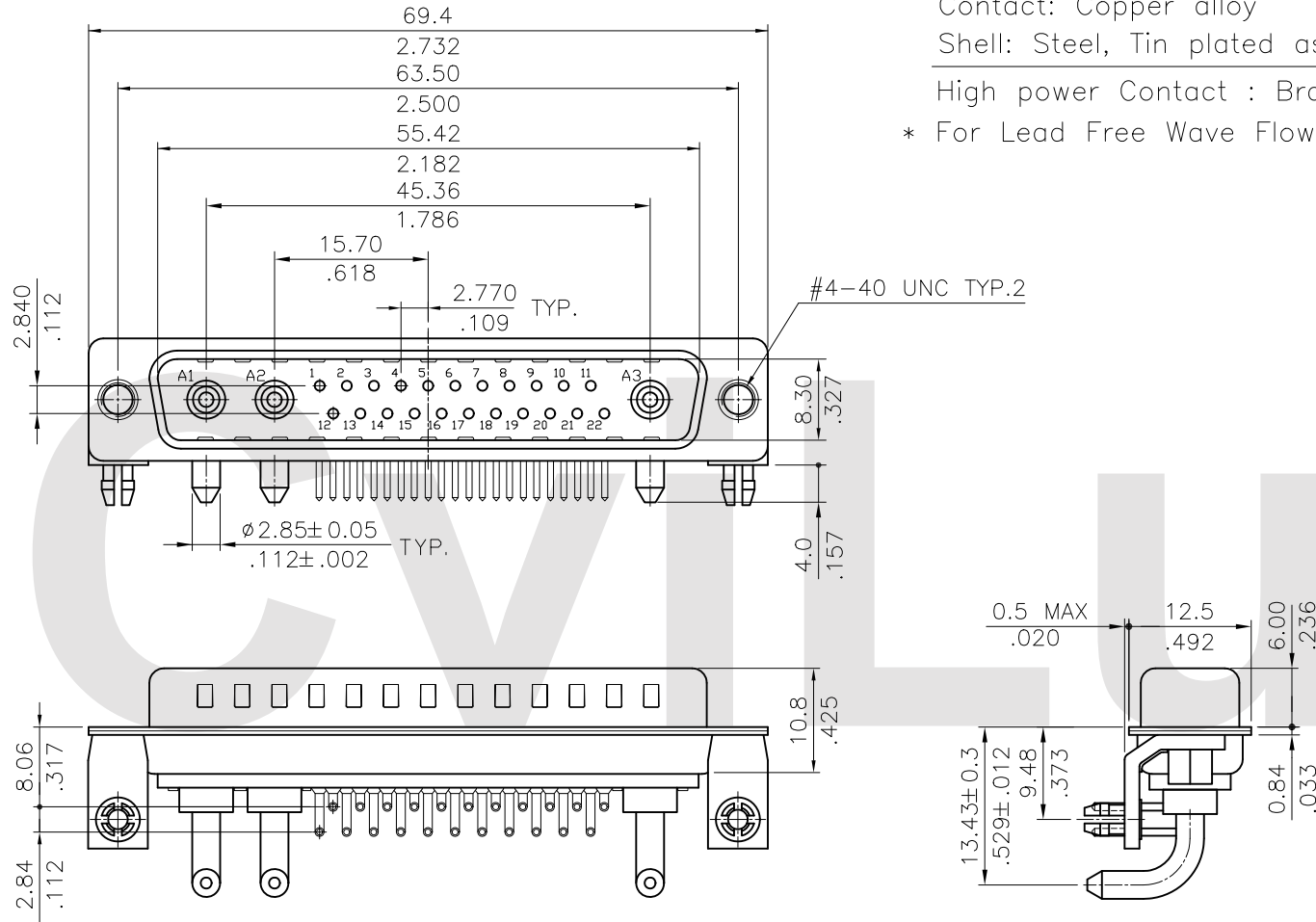
Insulator: Glass filled Polyester UL 94V-0

Contact: Copper alloy

Shell: Steel, Tin plated as standard


High power Contact : Brass with Gold plated

* For Lead Free Wave Flow Process



Lead Free Process

RoHS Compliant

4	Karen	4/18-17'	ECNT117049/ECRT117003	APPROVED BY: Eisley	4/21-17'	UNIT: mm / inch	TITLE: 25W3 20A HIGH POWER MALE D-SUB CONNECTOR (RIGHT ANGLE TYPE)	 瀚荃股份有限公司 CviLux Corporation	DRAWING NO. 25W311SC	PART NO. 25W3PPH***20***								
											CVILUX CORP	DRAWN BY: Karen	4/20-17'	TOLERANCE UNLESS OTHERWISE SPECIFIED	MATERIAL:	SCALE	2 / 1	SHEET 1 OF 2
											2017.04.27	ENGINEER: Sun	4/21-17'	.X ± 0.30/.012 X' ± 1'	FINISH:			
											ISSUED	CHECKED BY: Eisley	4/21-17'	.XX ± 0.20/.008 .X' ±				
1	Karen	4/18-17'	ECNT117049/ECRT117003	APPROVED BY: Eisley	4/21-17'	.XXX ± 0.10/.004 .XX' ±												
SYM	NAME	DATE	REVISIONS	APPROVED BY:														

