

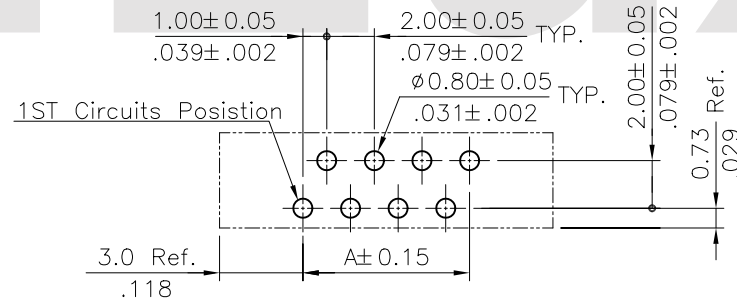
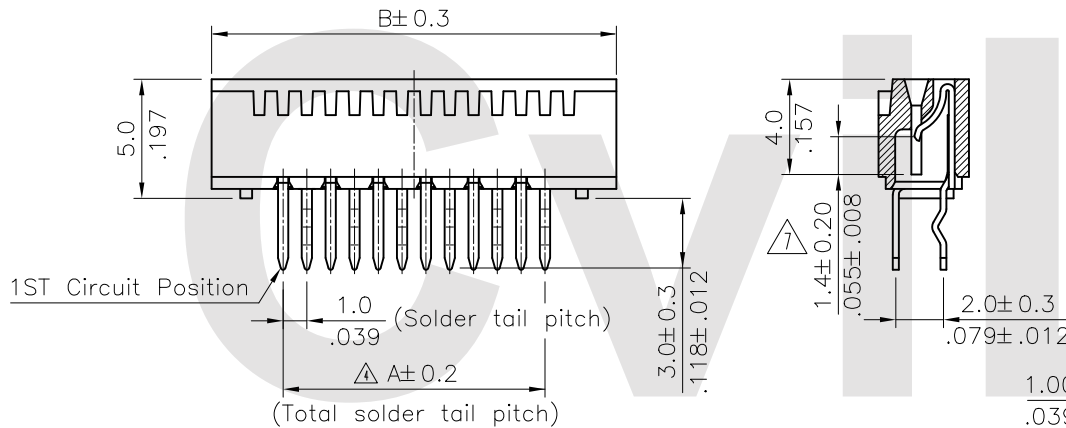
Material:

- * Insulation: Nylon 6T UL 94V-0
Color Nature
- * Contact: Phosphor Bronze

Ordering Code

CF16 ** 1 V 0 T 0
 ① ② ③ ④ ⑤ ⑥ ⑦


- ① Series No.
- ② No. of Circuits
- ③ Plating code:
1 = Tin plated over Nickel
- ④ Contact type : V = Straight DIP type
- ⑤ Insulation Color: 0 = Nature
- ⑥ Packing : T = Tube Packaged
- ⑦ Other option: 0 = Standard



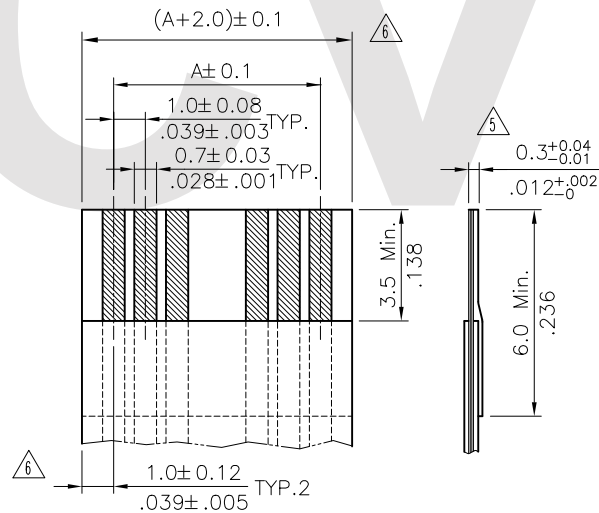
Recommended P.C. Board Layout



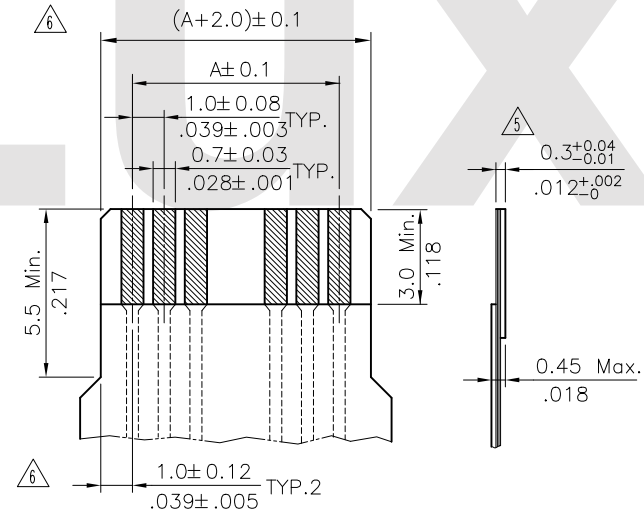
RoHS Compliant

⑦	Karen	5/09-17'	ECNT117070/ECRT117004		DATE	UNIT: mm / inch	TITLE: 1.00mm(.039") ST. DIP TYPE LIF FFC/FPC CONNECTOR	 瀚荃股份有限公司 CviLux Corporation
⑥	Bill	03/27/08	ECR08027-0/ECN08145	DRAWN BY:	Karen	5/9-17'	TOLERANCE UNLESS OTHERWISE SPECIFIED	
⑤	Sandy	9/22-07'	ECN07381/ECR07065-1	ENGINEER:	Sun	5/10-17'	.X ± 0.15/.006 X' ± 1'	MATERIAL:
④	SUN	10/27/05	ECN05368	CHECKED BY:	Eisley	5/10-17'	.XX ± 0.10/.004 X' ±	FINISH:
SYM	NAME	DATE	REVISIONS	APPROVED BY:	Eisley	5/10-17'	.XXX ± 0.05/.002 .XX ±	DRAWING NO. CF1601SJ PART NO. CF16**1V0T0
								SCALE 3 / 1 SHEET 1 OF 2

Circuits	Dimension			Circuits	Dimension		
	A	B	C		A	B	C
3	2.00(.079)	8.00(.315)	4.10(.161)	18	17.00(.670)	23.0(.905)	19.10(.752)
4	3.00(.118)	9.00(.354)	5.10(.201)	19	18.00(.709)	24.0(.945)	20.10(.791)
5	4.00(.157)	10.0(.393)	6.10(.240)	20	19.00(.748)	25.0(.984)	21.10(.831)
6	5.00(.197)	11.0(.433)	7.10(.280)	21	20.00(.787)	26.0(1.024)	22.10(.870)
7	6.00(.236)	12.0(.472)	8.10(.319)	22	21.00(.827)	27.0(1.063)	23.10(.909)
8	7.00(.275)	13.0(.512)	9.10(.358)	23	22.00(.866)	28.0(1.102)	24.10(.949)
9	8.00(.315)	14.0(.551)	10.10(.398)	24	23.00(.905)	29.0(1.142)	25.10(.988)
10	9.00(.354)	15.0(.590)	11.10(.437)	25	24.00(.945)	30.0(1.181)	26.10(1.028)
11	10.00(.393)	16.0(.630)	12.10(.476)	26	25.00(.984)	31.0(1.220)	27.10(1.067)
12	11.00(.433)	17.0(.670)	13.10(.516)	27	26.00(1.024)	32.0(1.260)	28.10(1.106)
13	12.00(.472)	18.0(.709)	14.10(.555)	28	27.00(1.063)	33.0(1.300)	29.10(1.146)
14	13.00(.512)	19.0(.748)	15.10(.594)	29	28.00(1.102)	34.0(1.339)	30.10(1.185)
15	14.00(.551)	20.0(.787)	16.10(.634)	30	29.00(1.142)	35.0(1.378)	31.10(1.224)
16	15.00(.590)	21.0(.827)	17.10(.673)	31	30.00(1.181)	36.0(1.417)	32.10(1.263)
17	16.00(.630)	22.0(.866)	18.10(.713)	32	31.00(1.220)	37.0(1.457)	33.10(1.303)




* ACCOMMODATED FFC



* ACCOMMODATED FPC



RoHS Compliant

7	Karen	5/09-17'	ECNT117070/ECRT117004		DATE	UNIT: mm / inch	TITLE: 1.00mm(.039") ST. DIP TYPE LIF FFC/FPC CONNECTOR	 瀚荃股份有限公司 CviLux Corporation
6	Bill	03/27/08	ECR08027-0/ECN08145	DRAWN BY: Karen	5/9-17'	TOLERANCE UNLESS OTHERWISE SPECIFIED	MATERIAL:	
5	Sandy	9/22-07'	ECN07381/ECR07065-1	ENGINEER: Sun	5/10-17'	.X ± 0.15/.006 X' ± 1'	FINISH:	DRAWING NO. CF1601SJ PART NO. CF16**1V0T0
4	SUN	10/27/05	ECN05368	CHECKED BY: Eisley	5/10-17'	.XX ± 0.10/.004 X ±		SCALE 3 / 1 SHEET 2 OF 2
SYM	NAME	DATE	REVISIONS	APPROVED BY: Eisley	5/10-17'	.XXX ± 0.05/.002 .XX ±		