

A = 1.00 \* No. of Spaces

B = A + 7.2

C = A + 2.1

\* Available in 4 through 32 circuits

Material:

\* Insulation: Nylon 6T UL 94V-0

Color Nature

\* Slider: Nylon 6T UL 94V-0, Color Brown

\* Contact: Phosphor Bronze

### Ordering Code

CF10 \*\* 1 M 0 T 0  
 ① ② ③ ④ ⑤ ⑥ ⑦

① Series No.

② No. of Circuits

③ Plating code:

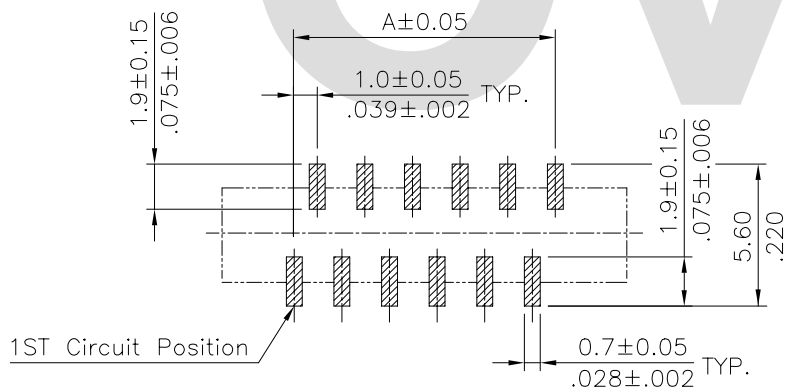
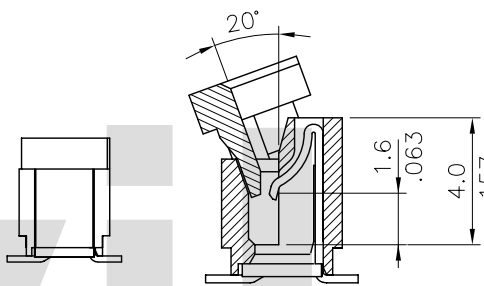
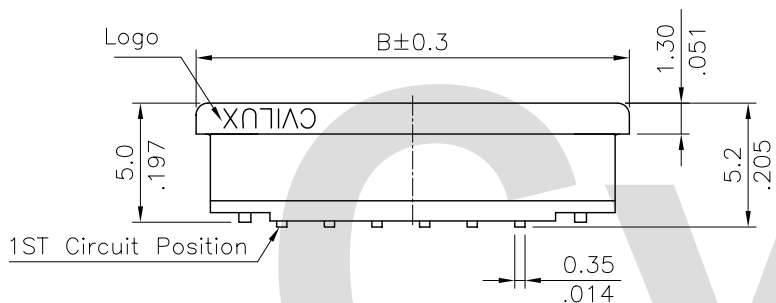
1= Tin plated over Nickel

④ Contact type: M= SMT type

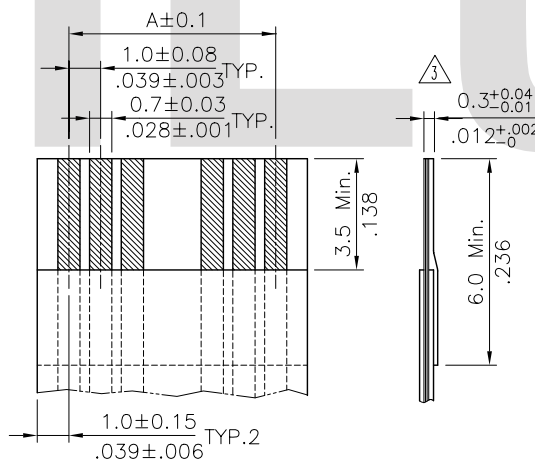
⑤ Insulation Color: 0= Nature

⑥ Packing : T= Tube Packaged

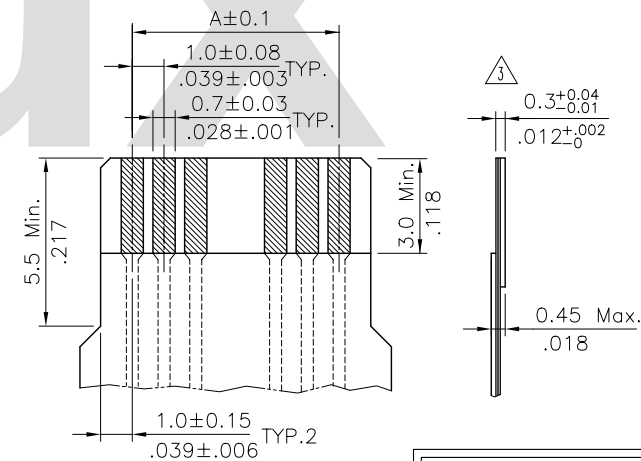
⑦ Other option: 0= Standard



Recommended P.C. Board Layout



\* ACCOMMODATED FFC



\* ACCOMMODATED FPC

RoHS Compliant

④						DATE	UNIT: mm / inch	TITLE: 1.00mm(.039") SMT TYPE ZIF FFC/FPC CONNECTOR	
③	Sandy	9/22-07'	ECN07381/ECR07065-1		DRAWN BY: Sandy	9/22-07'	TOLERANCE UNLESS OTHERWISE SPECIFIED	MATERIAL:	
②	Sun	10/27/05'	ECN05368		ENGINEER: Easley	9/28-07'	.X ± 0.15/.006 X' ± 1'	FINISH:	
①	SUN	6/07/04'	ECN04212/ECR04030-1		CHECKED BY: David	9/28-07'	.XX ± 0.10/.004 X' ±		
SYM	NAME	DATE	REVISIONS	APPROVED BY: Alex	9/28-07'	.XXX ± 0.05/.002 X' ±		DRAWING NO. CF1004SE	PART NO. CF10**1MOTO
								SCALE 3 / 1	SHEET 1 OF 1