

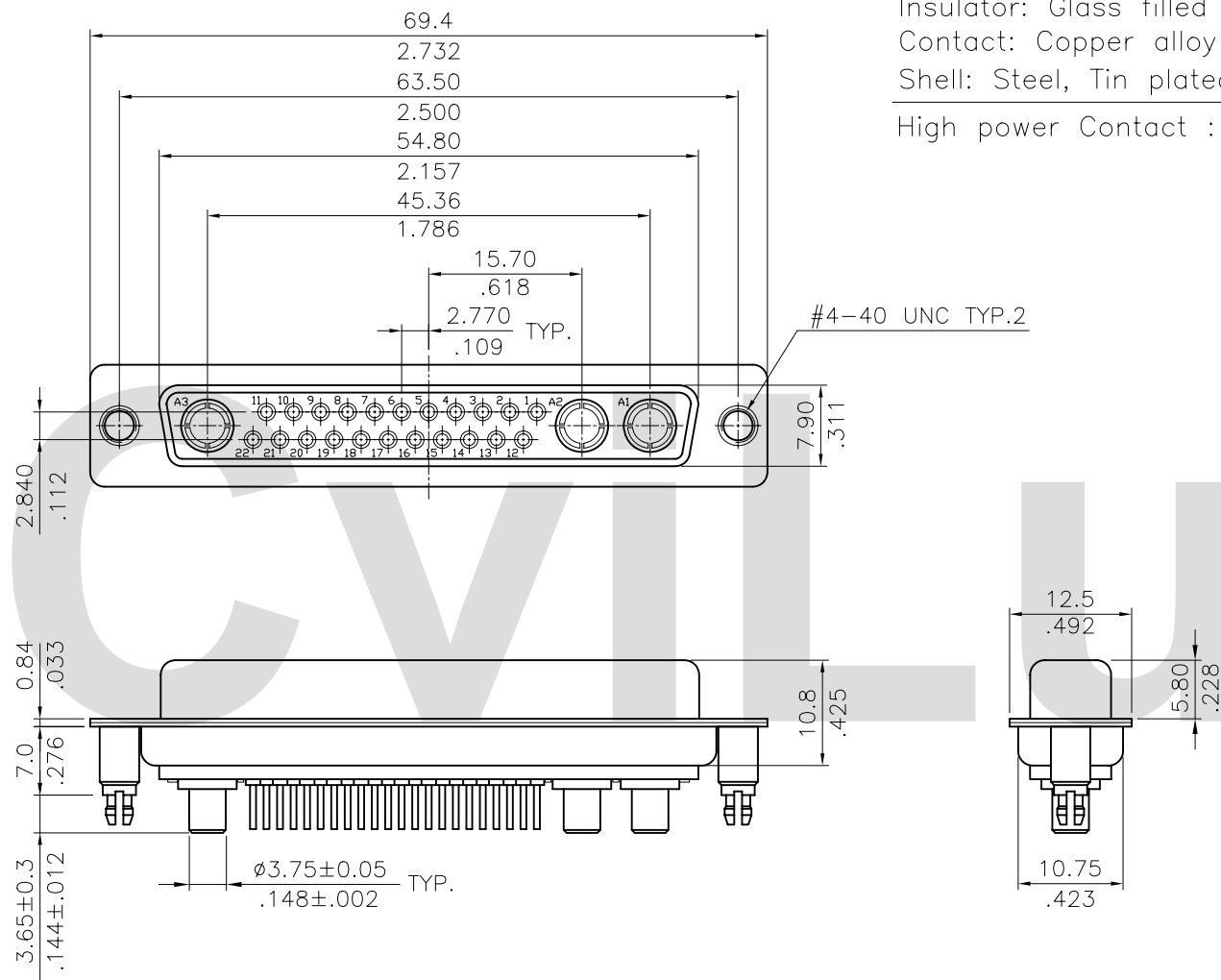
Material:

Insulator: Glass filled Polyester UL 94V-0

Contact: Copper alloy


Shell: Steel, Tin plated as standard

High power Contact : Brass with Gold plated



RoHS Compliant



4					DATE	UNIT: mm / inch	TITLE: 25W3 40A HIGH POWER FEMALE D-SUB CONNECTOR (TOP ENTRY BOARD MOUNT TYPE)	 瀚荃股份有限公司 CviLux Corporation
3				DRAWN BY: Rita	10/18-01'	TOLERANCE UNLESS OTHERWISE SPECIFIED		
2				ENGINEER: David	10/18-01'	.X ± 0.30/.012 X' ± 1'	MATERIAL:	DRAWING NO. 25W310SB PART NO. 25W3SPV***40*00
1				CHECKED BY: David	10/18-01'	.XX ± 0.20/.008 .X' ±	FINISH:	
SYM	NAME	DATE	REVISIONS	APPROVED BY: Alex	10/18-01'	.XXX ± 0.10/.004 .XX' ±		SCALE 2 / 1 SHEET 1 OF 2

# Ordering Code

$\frac{25W3}{①}$   $\frac{S}{②}$   $\frac{P}{③}$   $\frac{V}{④}$   $\frac{3}{⑤}$   $\frac{2}{⑥}$   $\frac{1}{⑦}$   $\frac{40}{⑧}$   $\frac{D00}{⑨}$

- ① Series No.
- ② Connector Type: S= Receptacle
- ③ Contact type: P= High Power Contact
- ④ Contact tail style: V= Straight Dip type
- ⑤ High power contact plating:

2= Gold flash plated over Nickel  
 3= 15 $\mu$ " Gold plated over Nickel  
 4= 30 $\mu$ " Gold plated over Nickel  
 5= 50 $\mu$ " Gold plated over Nickel

- ⑥ Signal contact plating:

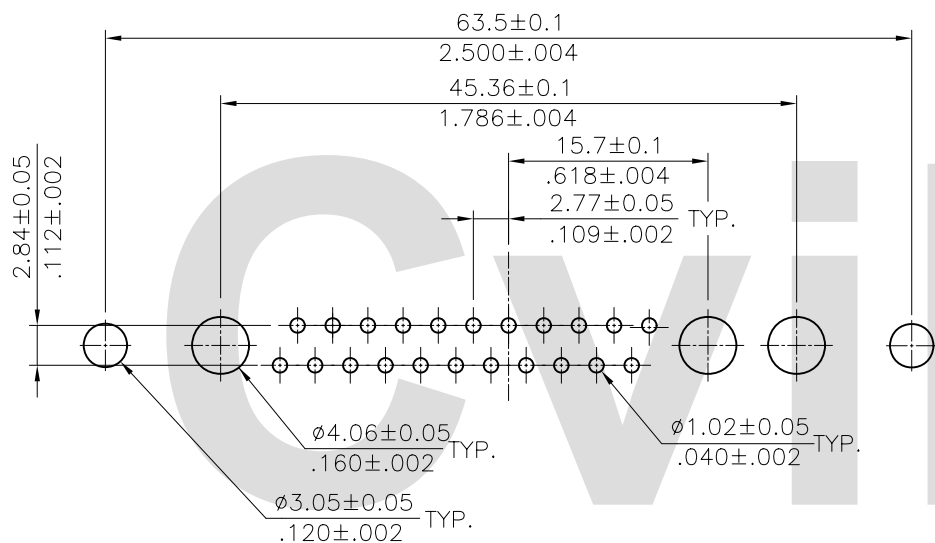
2= Gold flash plated over Nickel  
 3= 15 $\mu$ " Gold plated over Nickel  
 4= 30 $\mu$ " Gold plated over Nickel

- ⑦ Insulator color: 1= Black, 6= Green

- ⑧ Performance: 40= 40A

- ⑨ Mounting Style:

000= With  $\phi$ 3.05mm holes on shell  
 B00= Riveted #4-40 UNC open nuts on front shell  
 C00= Riveted #4-40 UNC open nuts on rear shell  
 D00= Riveted #4-40 UNC ground stand-off on rear shell(standard)



Recommended P.C Board Layout

## Mounting Style

RoHS Compliant

Code	000	Code	B00	Code	C00	Code	D00
			DIM. L= 4.0mm		DIM. L= 4.0mm		DIM. L= 7.0mm

④					DATE	UNIT: mm / inch	TITLE: 25W3 40A HIGH POWER FEMALE D-SUB CONNECTOR (TOP ENTRY BOARD MOUNT TYPE)	瀚荃股份有限公司 CviLux Corporation
③				DRAWN BY: Rita	10/18-01'	TOLERANCE UNLESS OTHERWISE SPECIFIED	MATERIAL:	
②				ENGINEER: David	10/18-01'	.X ± 0.30/.012 X' ± 1'	FINISH:	
①				CHECKED BY: David	10/18-01'	.XX ± 0.20/.008 .X' ±		
SYM	NAME	DATE	REVISIONS	APPROVED BY: Alex	10/18-01'	.XXX ± 0.10/.004 .XX' ±		
DRAWING NO. <b>25W310SB</b> PART NO. <b>25W3SPV***40*00</b>								
SCALE		2 / 1		SHEET		2 OF 2		

CVILUX.CORP  
 2001.10.22  
 ISSUED