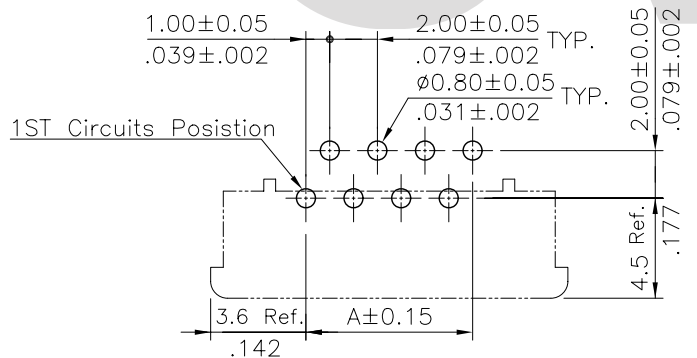
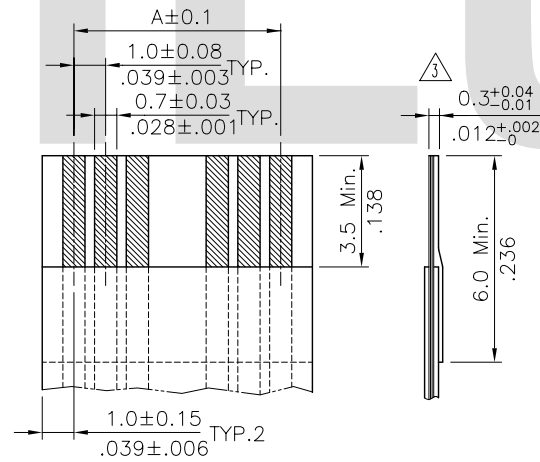


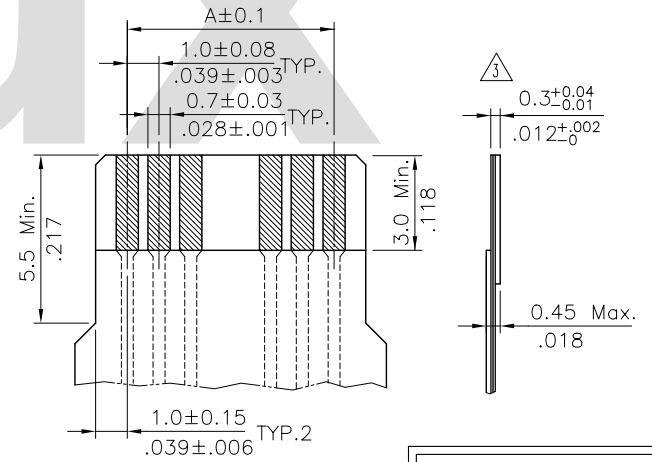
A = 1.00 * No. of Spaces
 B = A + 7.2
 Δ C = A + 2.1
 * Available in 4 through 32 circuits



Recommended P.C. Board Layout



* ACCOMMODATED FFC



* ACCOMMODATED FPC

Material:

- * Insulation: Nylon 6T UL 94V-0 Color Nature
- * Slider: Nylon 6T UL 94V-0, Color Brown
- * Contact: Phosphor Bronze

Ordering Code

CF10 ** 1 D 0 T 0
 ① ② ③ ④ ⑤ ⑥ ⑦

- ① Series No.
- ② No. of Circuits
- ③ Plating code:
1 = Tin plated over Nickel
- ④ Contact type : D = Down side contact
- ⑤ Insulation Color: 0 = Nature
- ⑥ Packing : T = Tube Packaged
- ⑦ Other option: 0 = Standard

RoHS Compliant

④						DATE	UNIT: mm / inch	TITLE: 1.00mm(.039") R/A DIP TYPE ZIF FFC/FPC CONNECTOR (DOWNSIDE CONTACT)	 瀚荃股份有限公司 CviLux Corporation
③	Sandy	9/22-07'	ECN07381/ECR07065-1		DRAWN BY: Sandy	9/22-07'	TOLERANCE UNLESS OTHERWISE SPECIFIED	MATERIAL:	
②	Sun	10/27/05'	ECN05368		ENGINEER: Easley	9/28-07'	.X ± 0.15/.006 X' ± 1'	FINISH:	PART NO. CF10**1D0T0
①	Sun	8/11/05'	ECN05268		CHECKED BY: David	9/28-07'	.XX ± 0.10/.004 X' ±		SCALE 3 / 1
SYM	NAME	DATE	REVISIONS		APPROVED BY: Alex	9/28-07'	.XXX ± 0.05/.002 XX' ±		