

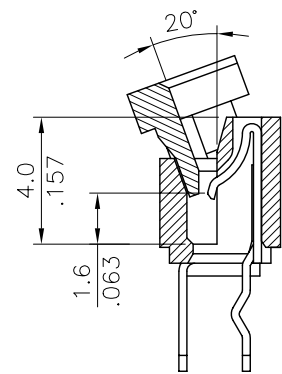
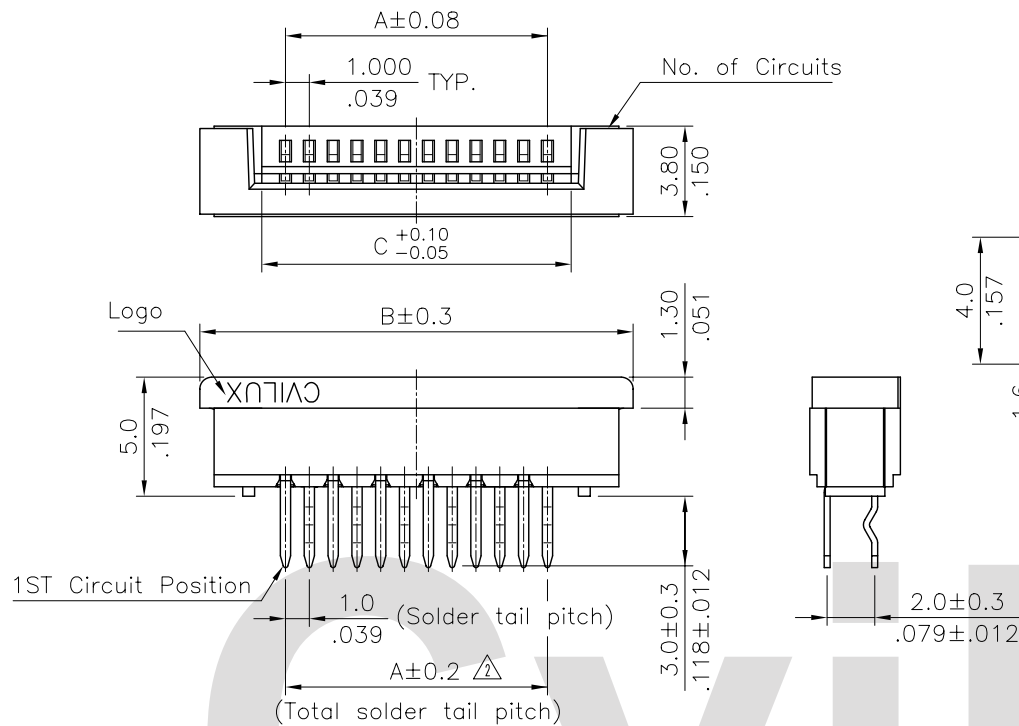
Material:

- * Insulation: Nylon 6T UL 94V-0
Color Nature
- * Slider: Nylon 6T UL 94V-0, Color Brown
- * Contact: Phosphor Bronze

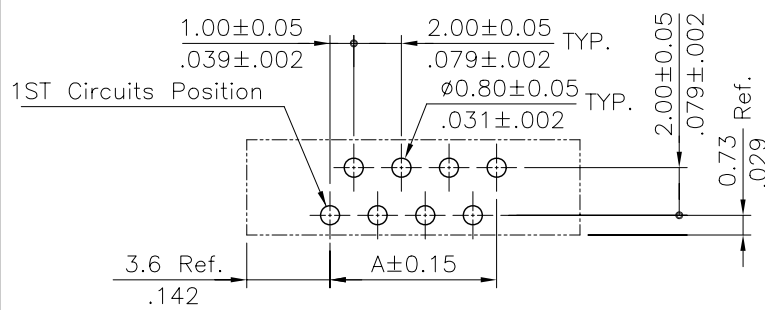
Ordering Code

CF10 ** 1 V 0 T 0
 ① ② ③ ④ ⑤ ⑥ ⑦

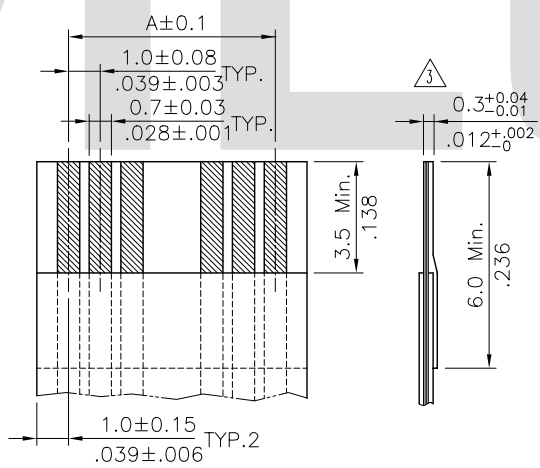
- ① Series No.
- ② No. of Circuits
- ③ Plating code:
1 = Tin plated over Nickel
- ④ Contact type: V = Straight DIP type
- ⑤ Insulation Color: 0 = Nature
- ⑥ Packing : T = Tube Packaged
- ⑦ Other option: 0 = Standard



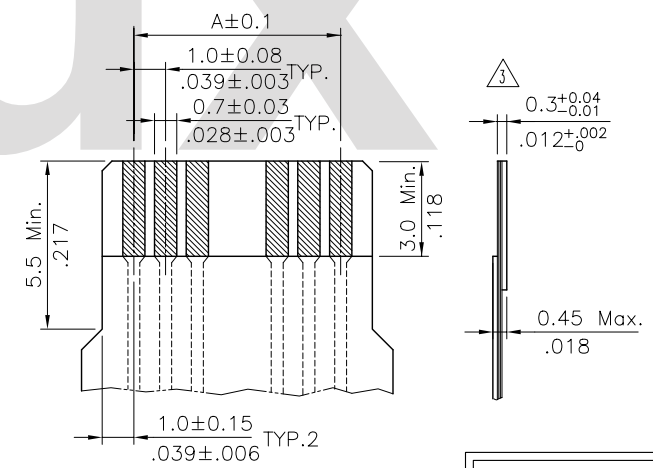
A = 1.00 * No. of Spaces
 B = A + 7.2
 Δ C = A + 2.1
 * Available in 4 through 32 circuits



Recommended P.C. Board Layout



* ACCOMMODATED FFC



* ACCOMMODATED FPC

RoHS Compliant

| | | | | | | | | | | |
|-----|-------|-----------|---------------------|--|--------------|--------|-----------------|--|------------------------------------|----------------------|
| ④ | | | | | | DATE | UNIT: mm / inch | TITLE: 1.00mm(.039") ST. DIP TYPE ZIF FFC/FPC CONNECTOR | 瀚荃股份有限公司 CviLux Corporation | |
| ③ | Sandy | 9/22-07' | ECN07381/ECR07065-1 | | DRAWN BY: | Sandy | 9/22-07' | TOLERANCE UNLESS OTHERWISE SPECIFIED | | MATERIAL: |
| ② | Sun | 10/27/05' | ECN05368 | | ENGINEER: | Eisley | 9/28-07' | .X ± 0.15/.006 X' ± 1' | | |
| ① | Sun | 8/11/05' | ECN05268 | | CHECKED BY: | David | 9/28-07' | .XX ± 0.10/.004 X' ± | FINISH: | |
| SYM | NAME | DATE | REVISIONS | | APPROVED BY: | Alex | 9/28-07' | .XXX ± 0.05/.002 XX' ± | DRAWING NO. CF1001SF | PART NO. CF10**1V0T0 |
| | | | | | | | | | SCALE 3 / 1 | SHEET 1 OF 1 |