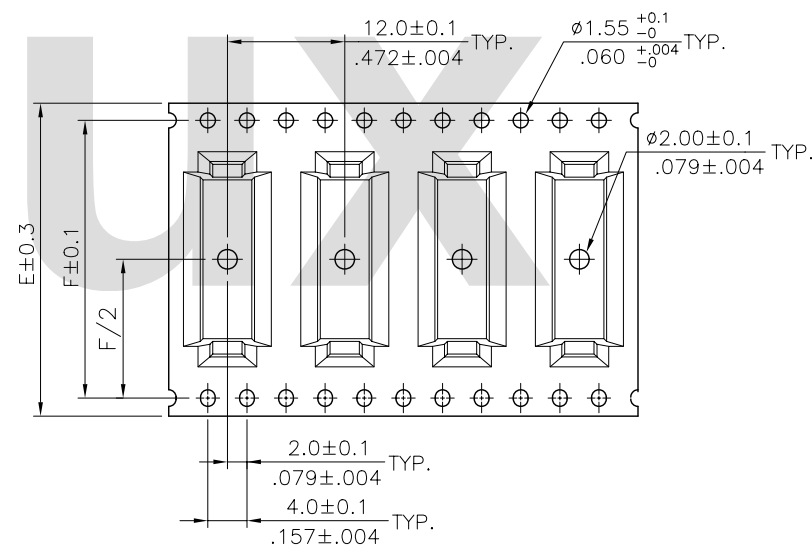
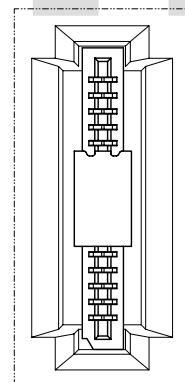
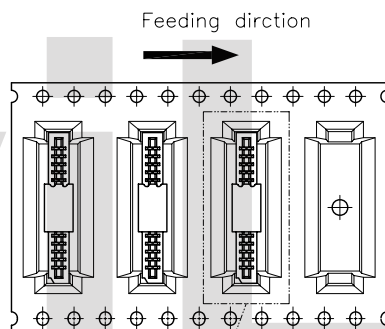


NOTE :

- * Reel Material : HIPS
- * Carrier Material : Black, Conductive Polystyrene Alloy
- * Cover Tape Material : Polyester
- * Cover Tape Peel Strength : 0.1N – 1.3N
- * Carrier camber is within 1mm in 250mm
- * All dimensions meet EIA-481-B requirements.
- * Quantity : 500 PCS/Reel

Circuits	Dimension					Packing (Reel/Caton)
	E	F	W1	W2	W3	
16	32.0(1.260)	28.40(1.118)	32.5(1.280)	38.5(1.516)	32.5(1.280)	7



WIDTH : 32 mm Carrier

4					DATE	UNIT: mm / inch	TITLE: TAPE & REEL PACKAGING FOR CF09 SERIES TOP ENTRY TYPE	瀚荃股份有限公司 CviLux Corporation	
3			DRAWN BY: Eisley		07/29-02'	TOLERANCE UNLESS OTHERWISE SPECIFIED			MATERIAL:
2			ENGINEER: David		07/29-02'	.X ±	X' ± 1'	FINISH:	
1			CHECKED BY: David		07/29-02'	.XX ±	.X' ±		DRAWING NO. CF0906SA
SYM	NAME	DATE	REVISIONS		APPROVED BY: Alex	07/31-02'	.XXX ±	.XX' ±	SCALE