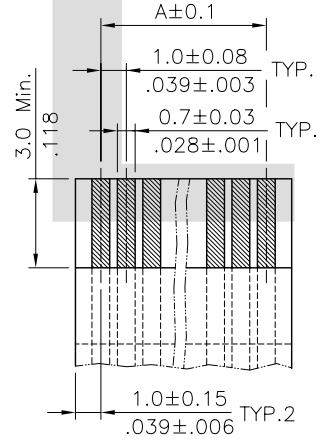
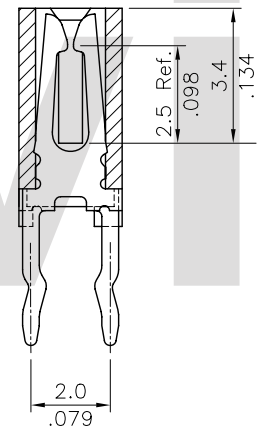
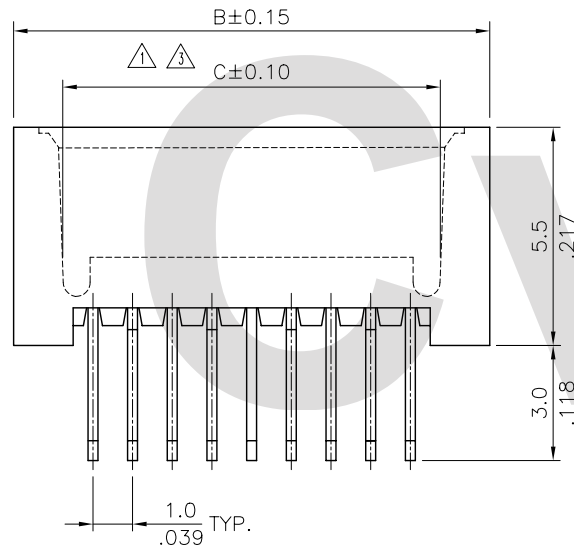
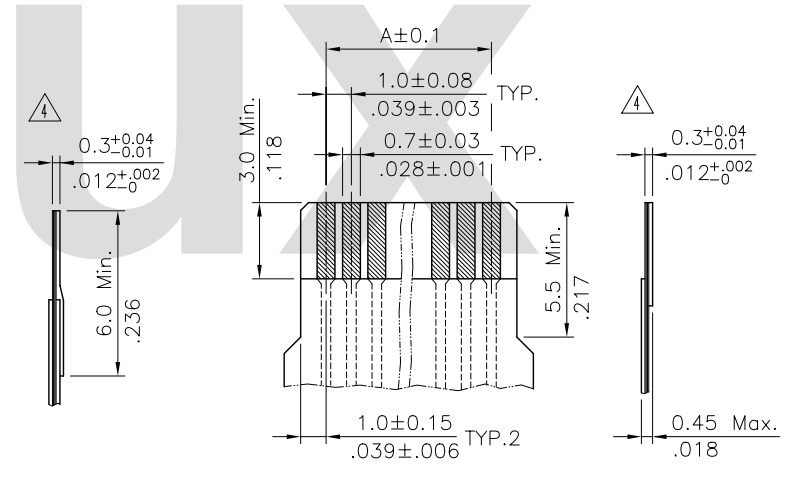


Recommended P.C. Board Layout



Accommodated FFC



Accommodated FPC

MATERIAL:

- * Body: Glass Filled Nylon 6T UL 94V-0
- * Contact : Phosphor Bronze

Ordering Code

CF09 ** 1 V 2 00
 ① ② ③ ④ ⑤ ⑥

- ① Series No.
- ② No. of Circuits
- ③ Plating code:
1 = Tin plated over Nickel
- ④ Contact style: V = Top entry
- ⑤ Color: 2 = Brown
- ⑥ Other options: 00 = Standard

A = 1.00 * No. of Spaces

B = A + 4.0

△ △ C = A + 2.1

* Available in 4 through 32 circuits

RoHS Compliant

④	Sandy	9/22-07'	ECN07381/ECRO7065-1		DATE	UNIT: mm / inch	TITLE: 1.0mm(.039") DIP TYPE LIF FPC/FCC CONNECTOR	瀚荃股份有限公司 CviLux Corporation	
③	Sandy	5/15/06'	ECN06133/ECRO6037-0		DRAWN BY: Sandy	9/22-07'			TOLERANCE UNLESS OTHERWISE SPECIFIED
②	Sandy	4/22/05'	ECN05133		ENGINEER: Easley	9/28-07'			.X ± 0.15/.006 X' ± 1'
①	Sandy	12/20/04'	ECN04466		CHECKED BY: David	9/28-07'			.XX ± 0.10/.004 X' ±
SYM	NAME	DATE	REVISIONS		APPROVED BY: Alex	9/28-07'			.XXX ± 0.05/.002 XX' ±
								DRAWING NO. CF0901SJ	
								PART NO. CF09**1V200	
								SCALE 5 / 1	
								SHEET 1 OF 1	