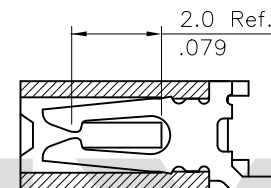
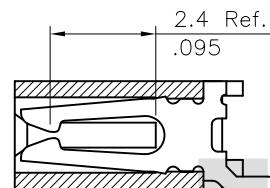


A-A SEC.

B-B SEC.

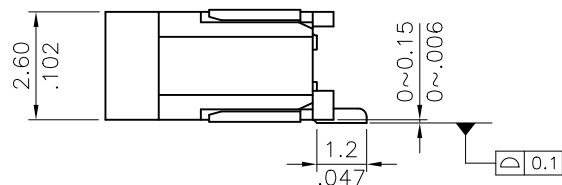
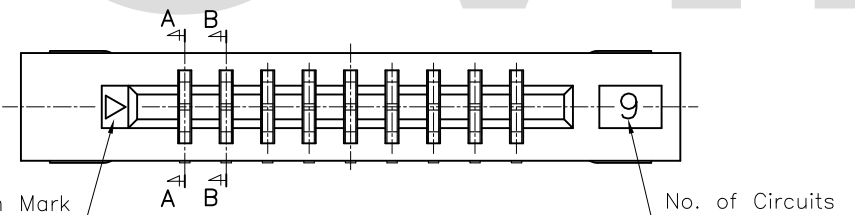
(Available in 4 through 8 circuits)



A-A SEC.

B-B SEC.

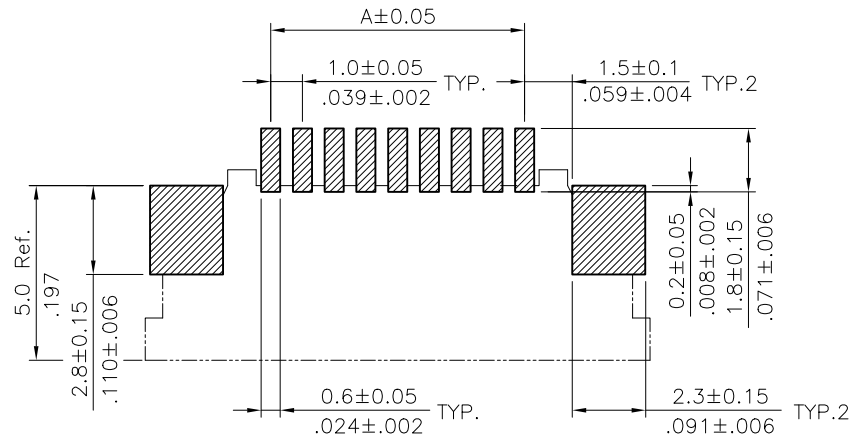
(Available in 9 through 32 circuits)



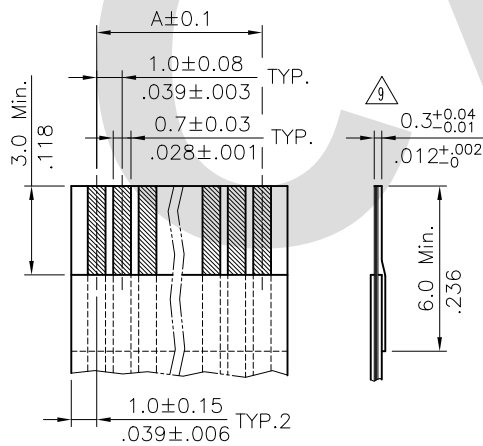
Tin-Lead Process

RoHS Compliant

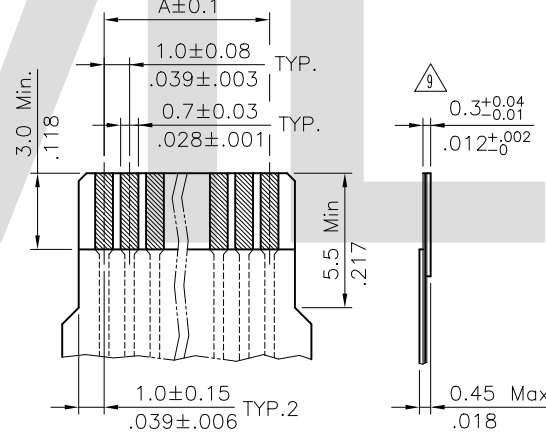
△12	Enya	10/18-13'	ECNT113069			DATE	UNIT: mm / inch	TITLE: 1.00mm(.039") LIF FPC/FFC SURFACE MOUNT CONNECTOR	瀚荃股份有限公司 CviLux Corporation			
△11	Sun	6/13-11'	ECR10022-1/ECN11127		DRAWN BY:	Enya	10/18-13'	TOLERANCE UNLESS OTHERWISE SPECIFIED		MATERIAL:		
△10	Sandy	8/28-08'	ECN08417		ENGINEER:	Sun	10/22-13'	.X ± 0.15/.006 X' ± 1'		FINISH:		
△9	Sandy	9/22-07'	ECN07381/ECR07065-1		CHECKED BY:	Eisley	10/24-13'	.XX ± 0.10/.004 .X' ±	DRAWING NO.	CF0801SQ	PART NO.	CF08**1H2*0
SYM	NAME	DATE	REVISIONS		APPROVED BY:	Eisley	10/24-13'	.XXX ± 0.05/.002 .XX' ±	SCALE	5 / 1	SHEET	1 OF 3



Sold Pad Pattern



Accommodated FFC



Accommodated FPC

Material :

- * Body : Glass Filled Nylon 6T UL 94V-0
- * Contact : Phosphor Bronze
- * Fixed tab : Brass

Ordering Code

CF08 ** 1 H 2 * 0
 ① ② ③ ④ ⑤ ⑥ ⑦

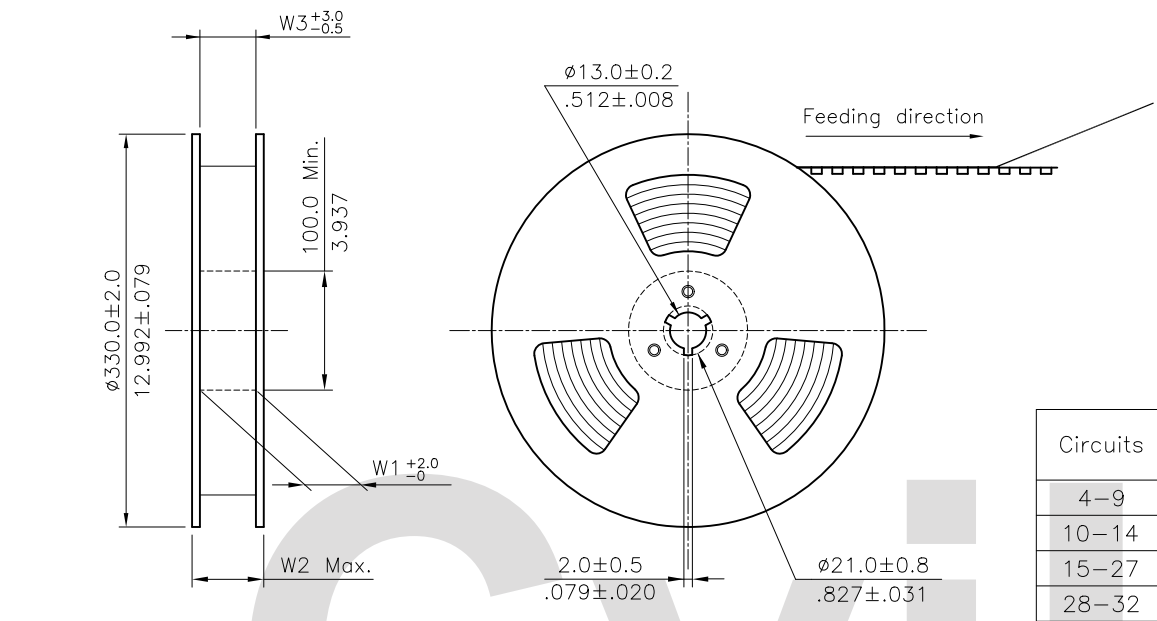
- ① Series No.
- ② No. of Circuits
- ③ Plating code:
1 = Tin plated over Nickel
- ④ Contact style: H = Side entry
- ⑤ Color: 2 = Brown
- ⑥ Packing options: R = Tape & Reel
T = Tube packing
- ⑦ Other options: 0 = Standard

A = 1.00 * No. of Spaces
 B = A + 8.0
 C = A + 2.1

* Available in 4 through 32 circuits

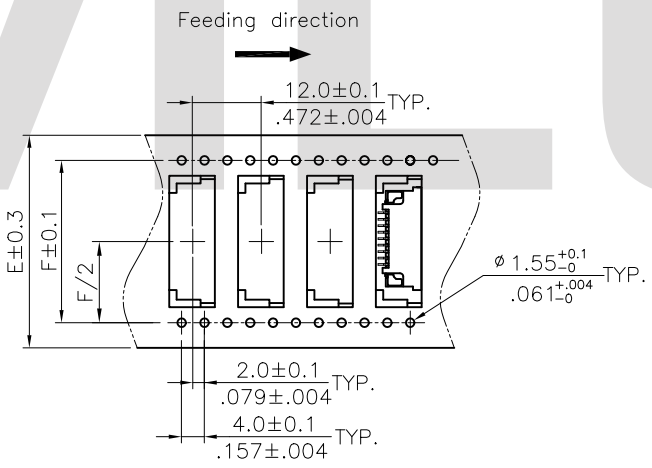
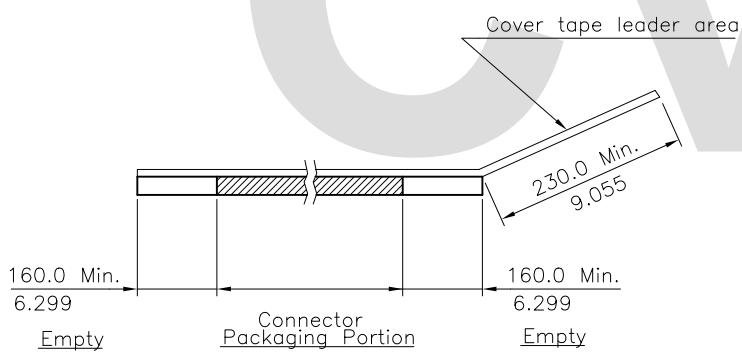
RoHS Compliant

⑫	Enya	10/18-13'	ECNT113069		DATE	UNIT: mm / inch	TITLE: 1.00mm(.039") LIF FPC/FFC SURFACE MOUNT CONNECTOR	瀚荃股份有限公司 CviLux Corporation	
⑪	Sun	6/13-11'	ECR10022-1/ECN11127		DRAWN BY: Enya	10/18-13'			TOLERANCE UNLESS OTHERWISE SPECIFIED
⑩	Sandy	8/28-08'	ECN08417		ENGINEER: Sun	10/22-13'			.X ± 0.15/.006 X' ± 1'
⑨	Sandy	9/22-07'	ECN07381/ECR07065-1		CHECKED BY: Eisley	10/24-13'			.XX ± 0.10/.004 .X' ±
SYM	NAME	DATE	REVISIONS		APPROVED BY: Eisley	10/24-13'			.XXX ± 0.05/.002 .XX' ±
MATERIAL:								DRAWING NO. CF0801SQ	PART NO. CF08**1H2*0
FINISH:								SCALE 5 / 1	SHEET 2 OF 3

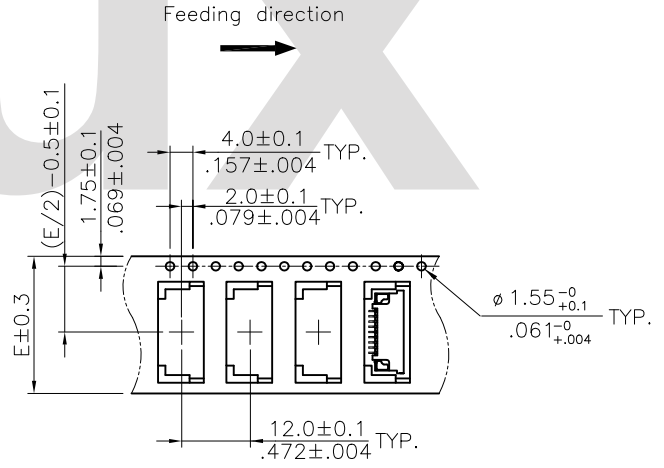


- NOTE :
- * Reel Material : HIPS or Corrugated Paper
 - * Carrier Material : Clear Conductive Polystyrene Alloy
 - * Cover Tape Material : Polyester
 - * Cover Tape Peel Strength : 0.1N – 1.3N
 - * Carrier camber is within 1mm in 100mm
 - * All dimensions meet EIA-481-2 & EIA-481-3 requirements.
 - * Quantity : 2000 PCS/Reel

Circuits	Dimension					Packing (Reel/Carton)
	E	F	W1	W2	W3	
4-9	24.0(.945)	-	24.5(.965)	30.5(1.201)	24.5(.965)	9
10-14	32.0(1.260)	28.40(1.118)	32.5(1.280)	38.5(1.516)	32.5(1.280)	7
15-27	44.0(1.732)	40.40(1.591)	44.5(1.752)	50.5(1.988)	44.5(1.752)	5
28-32	56.0(2.205)	52.40(2.063)	56.5(2.224)	62.5(2.460)	56.5(2.224)	4



WIDTH : 32,44,56 mm Carrier



WIDTH : 24 mm Carrier

RoHS Compliant

12	Enya	10/18-13'	ECNT113069		DATE	UNIT: mm / inch	TITLE: 1.00mm(.039") LIF FPC/FFC SURFACE MOUNT CONNECTOR	 瀚荃股份有限公司 CviLux Corporation	
11	Sun	6/13-11'	ECR10022-1/ECN11127		DRAWN BY: Enya	10/18-13'	TOLERANCE UNLESS OTHERWISE SPECIFIED		MATERIAL:
10	Sandy	8/28-08'	ECN08417		ENGINEER: Sun	10/22-13'	.X ±		.X' ± 1'
9	Sandy	9/22-07'	ECN07381/ECR07065-1		CHECKED BY: Eisley	10/24-13'	.XX ±	.X ±	
SYM	NAME	DATE	REVISIONS		APPROVED BY: Eisley	10/24-13'	.XXX ±	.XX ±	DRAWING NO. CF0801SQ PART NO. CF08**1H2*0 SCALE SHEET 3 OF 3