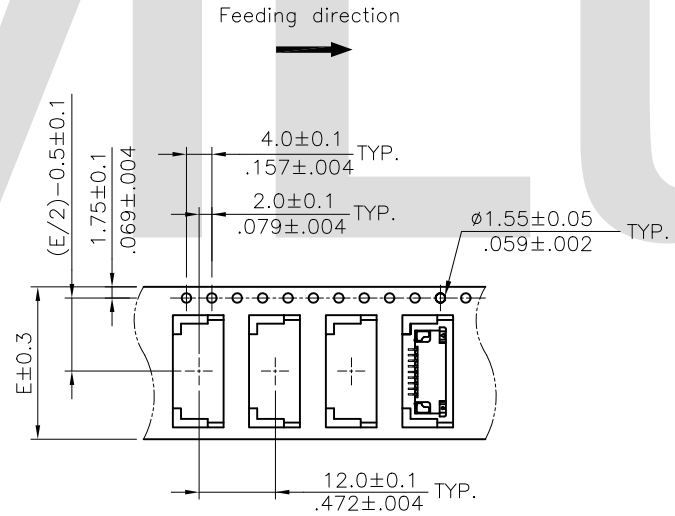
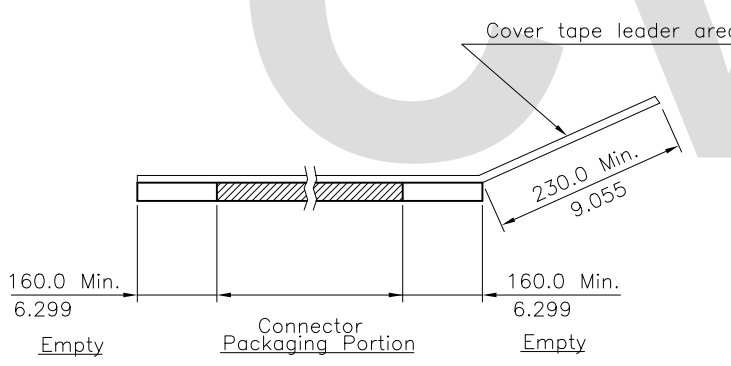


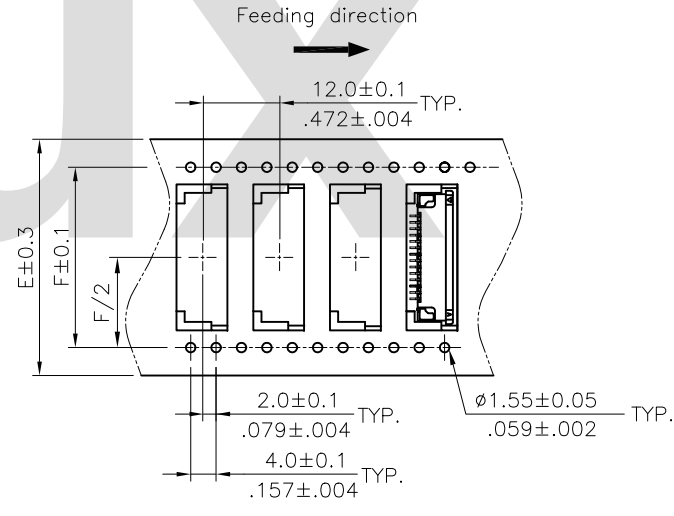
NOTE :

1. 10 sprocket hole pitch cumulative tolerance ± 0.20
2. Carrier camber is within 1 mm in 100 mm .
3. Material : Black Conductive Polystyrene Alloy (UP-5000) 100% recyclable.
4. All dimensions meet EIA-481-3 requirements.
5. Thickness : 0.33 ± 0.03 mm.
- 6 Packing length per 22" reel : 75.0 Meters.
7. Component load per 13" reel : 2000 pcs.


Circuits	Dimension				
	E	F	W1	W2	W3
4-8	24.0(.945)	-	24.5(.965)	30.5(1.201)	24.5(.965)
9-14	32.0(1.260)	28.40(1.118)	32.5(1.280)	38.5(1.516)	32.5(1.280)
15-25	44.0(1.732)	40.40(1.596)	44.5(1.752)	50.5(1.988)	44.5(1.752)
26-32	56.0(2.205)	52.40(2.062)	56.5(2.224)	62.5(2.460)	56.5(2.224)



WIDTH : 24 mm Carrier



WIDTH : 32,44,56 mm Carrier

4	Enya	10/18-13'	ECNT113069		DATE	UNIT: mm / inch	TITLE: TAPE & REEL PACKAGING FOR CF07 , CF08 SERIES	 瀚荃股份有限公司 CviLux Corporation
3	Jim	12/4/06'	ECRO6103-0/ECN06432	DRAWN BY: Enya	10/18-13'	TOLERANCE UNLESS OTHERWISE SPECIFIED		
2	SUN	2/23/05	ECN05075	ENGINEER: Sun	10/22-13'	.X ±	FINISH:	DRAWING NO. CF0709SE
1	SUN	1/10/05	ECN04511	CHECKED BY: Eisley	10/24-13'	.XX ±		PART NO.
SYM	NAME	DATE	REVISIONS	APPROVED BY: Eisley	10/24-13'	.XXX ±		SCALE


2013.11.07
ISSUED