

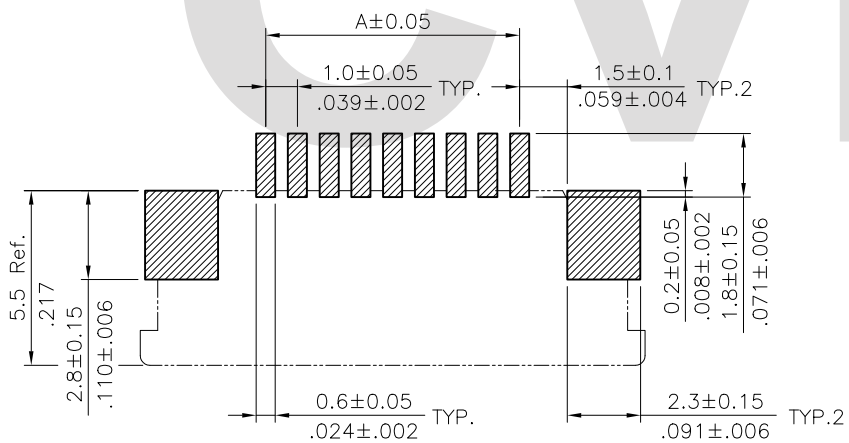
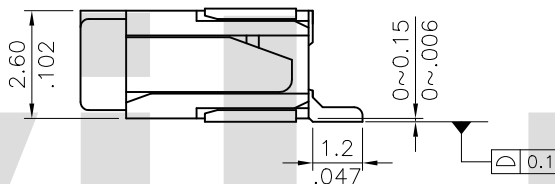
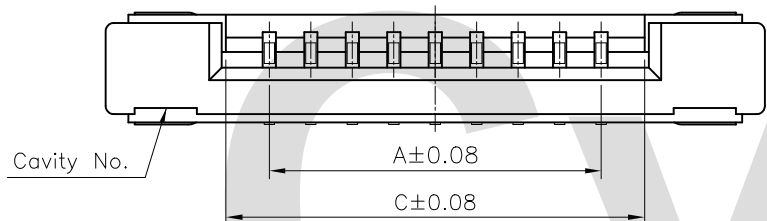
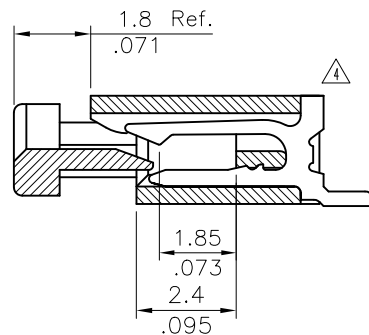
Material :  
 \* Body : High Temperature plastic UL94V-0  
 \* Slider : High Temperature plastic UL94V-0  
 Color Brown  
 \* Contact : Copper Alloy  
 \* Fixed tab : Copper Alloy with Tin plated

Material :  
 \* Body : High Temperature plastic UL94V-0  
 \* Slider : High Temperature plastic UL94V-0  
 Color Brown  
 \* Contact : Copper Alloy  
 \* Fixed tab : Copper Alloy with Tin plated

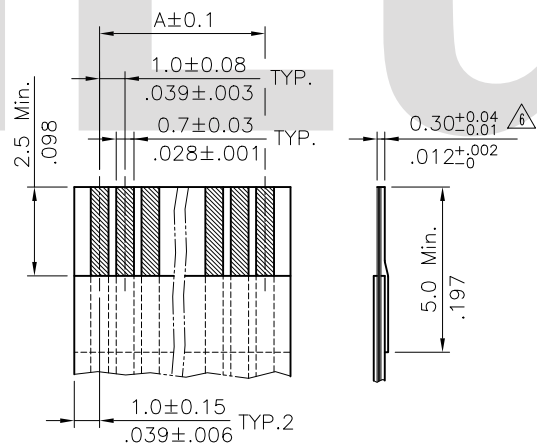
### Ordering Code

CF07 \*\* \* U 0 \* 0  
 ① ② ③ ④ ⑤ ⑥ ⑦

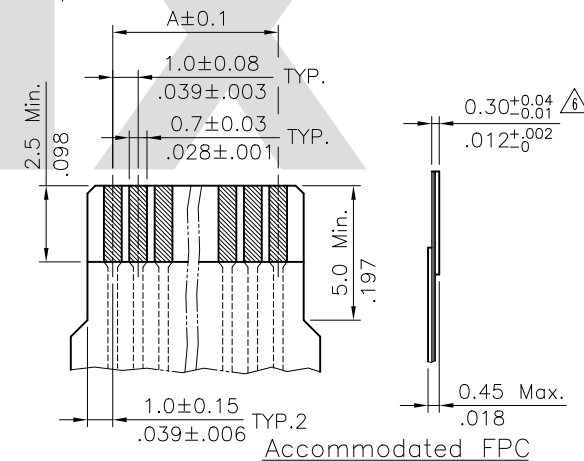
- ① Series No.
- ② No. of Circuits
- ③ Plating code:  
 1= Tin plated over Nickel  
 2= Gold flash plated over Nickel
- ④ Contact style: U= Upside Contact
- ⑤ Color: 0= Nature
- ⑥ Packing options: R= Tape & Reel  
 T= Tube Packing
- ⑦ Other options: 0= Standard



Sold Pad Pattern



Accommodated FFC



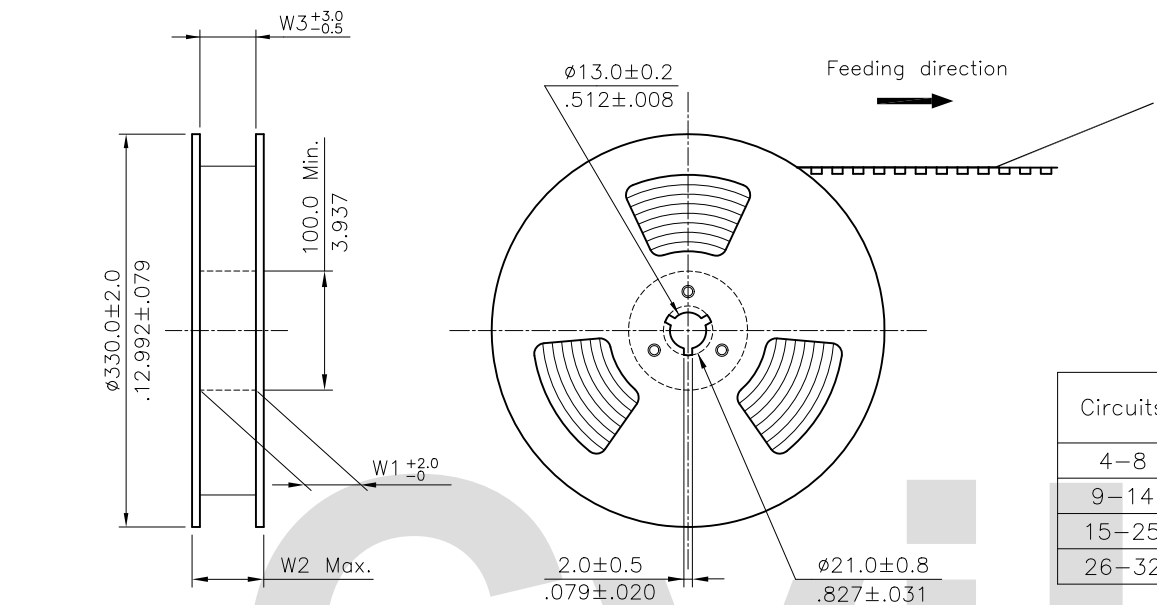
Accommodated FPC

Tin-Lead Process

RoHS compliant

⑧	Enya	10/18-13'	ECNT113069			DATE	UNIT: mm / inch	TITLE: 1.00mm(.039") ZIF FPC/FFC UPSIDE CONTACT SURFACE MOUNT CONNECTOR
⑧	Sun	9/10-08'	ECR08047-2/ECN08398		DRAWN BY: Enya	10/18-13'	TOLERANCE UNLESS OTHERWISE SPECIFIED	
⑦	Sun	5/09-08'	ECN08211		ENGINEER: Sun	10/22-13'	.X ± 0.15/006 X' ± 1'	MATERIAL:
⑥	Sandy	9/17-07'	ECN07381/ECR07065-1		CHECKED BY: Eisley	10/24-13'	.XX ± 0.10/004 X' ±	FINISH:
SYM	NAME	DATE	REVISIONS		APPROVED BY: Eisley	10/24-13'	.XXX ± 0.05/002 X' ±	

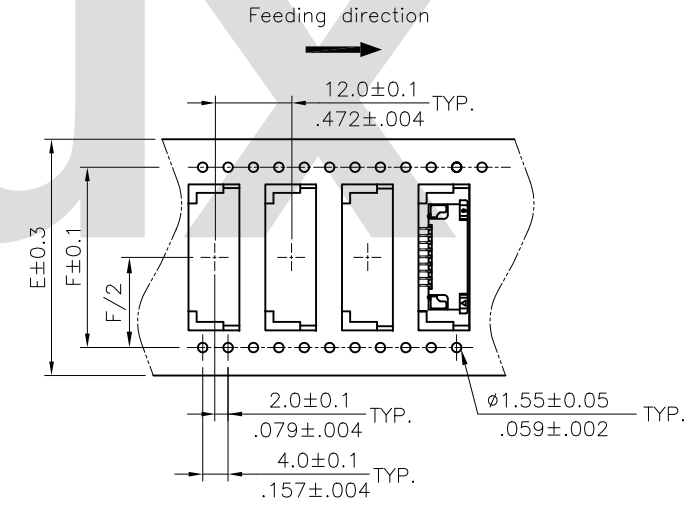
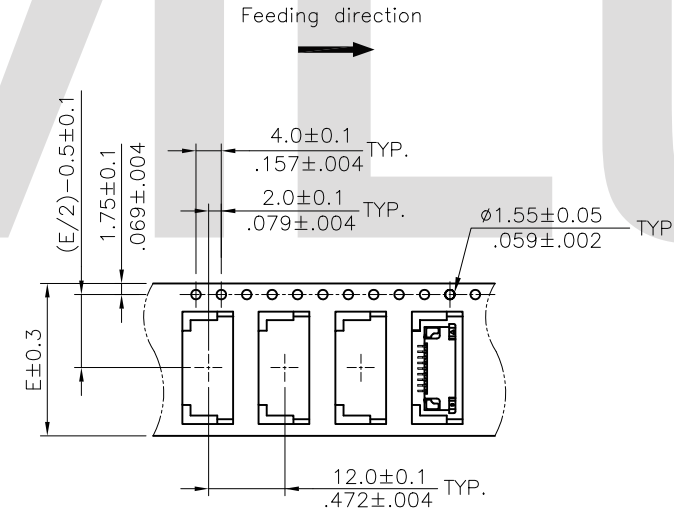
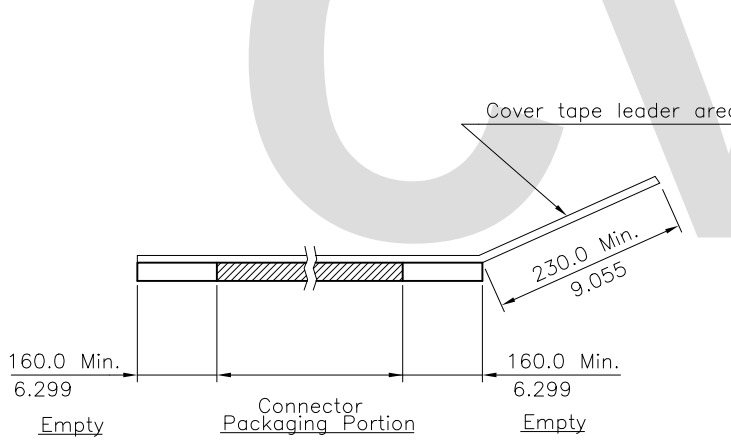
瀚荃股份有限公司 CviLux Corporation			
DRAWING NO.	CF0702SP	PART NO.	CF07***U0*0
SCALE	5 / 1	SHEET	1 OF 2



NOTE :

1. 10 sprocket hole pitch cumulative tolerance ±0.20
2. Carrier camber is within 1 mm in 100 mm .
- ⚠ 3. Material : Transparent Conductive Polystyrene Alloy (UP-5000) 100% recyclable.
4. All dimensions meet EIA-481-3 requirements.
5. Thickness : 0.33 ± 0.03mm.
- 6 Packing length per 22" reel : 75.0 Meters.
7. Component load per 13" reel : 2000 pcs.

Circuits	Dimension				
	E	F	W1	W2	W3
4-8	24.0(.945)	-	24.5(.965)	30.5(1.201)	24.5(.965)
9-14	32.0(1.260)	28.40(1.118)	32.5(1.280)	38.5(1.516)	32.5(1.280)
15-25	44.0(1.732)	40.40(1.596)	44.5(1.752)	50.5(1.988)	44.5(1.752)
26-32	56.0(2.205)	52.40(2.062)	56.5(2.224)	62.5(2.460)	56.5(2.224)



⚠ WIDTH : 24 mm Carrier

WIDTH : 32,44,56 mm Carrier

RoHS Compliant

8	Enya	10/18-13'	ECNT113069		DATE	UNIT: mm / inch	TITLE: 1.00mm(.039") ZIF FPC/FFC UPSIDE CONTACT SURFACE MOUNT CONNECTOR	瀚荃股份有限公司 CviLux Corporation			
8	Sun	9/10-08'	ECR08047-2/ECN08398		DRAWN BY:	Enya			10/18-13'	MATERIAL:	
7	Sun	5/09-08'	ECN08211		ENGINEER:	Sun			10/22-13'		FINISH:
6	Sandy	9/17-07'	ECN07381/ECR07065-1		CHECKED BY:	Eisley			10/24-13'		
SYM	NAME	DATE	REVISIONS	APPROVED BY:	Eisley	10/24-13'	SCALE	SHEET 2 OF 2			