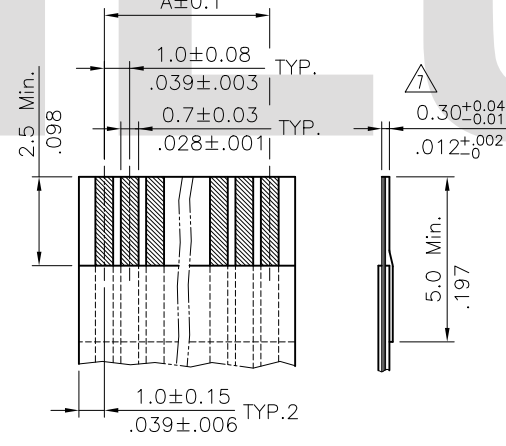
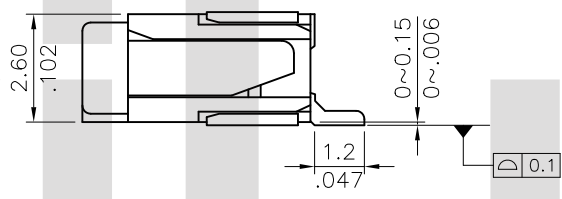
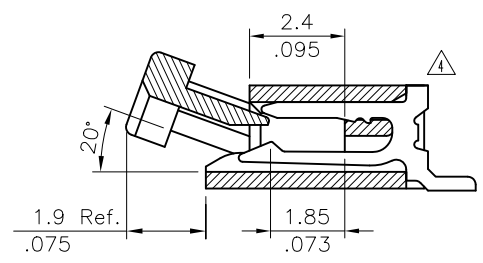
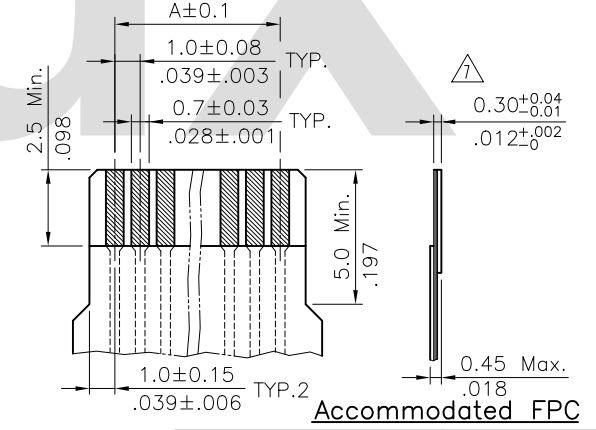


Sold Pad Pattern

A = 1.00 * No. of Spaces
 B = A + 8.0
 C = A + 2.1
 * Available in 4 through 32 circuits



Accommodated FFC



Accommodated FPC

Material :
 * Body : High Temperature plastic UL 94V-0
 * Slider : High Temperature plastic UL 94V-0
 Color Brown
 * Contact : Copper Alloy
 * Fixed tab : Copper Alloy with Tin plated

Ordering Code

CF07 ** 1 D 0 * 0
 ① ② ③ ④ ⑤ ⑥ ⑦

- ① Series No.
- ② No. of Circuits
- ③ Plating code:
 1 = Tin plated over Nickel
 2 = Gold flash plated over Nickel
- ④ Contact style: D = Downside Contact
- ⑤ Color: 0 = Nature
- ⑥ Packing options: R = Tape & Reel
 T = Tube Packing
- ⑦ Other options: 0 = Standard

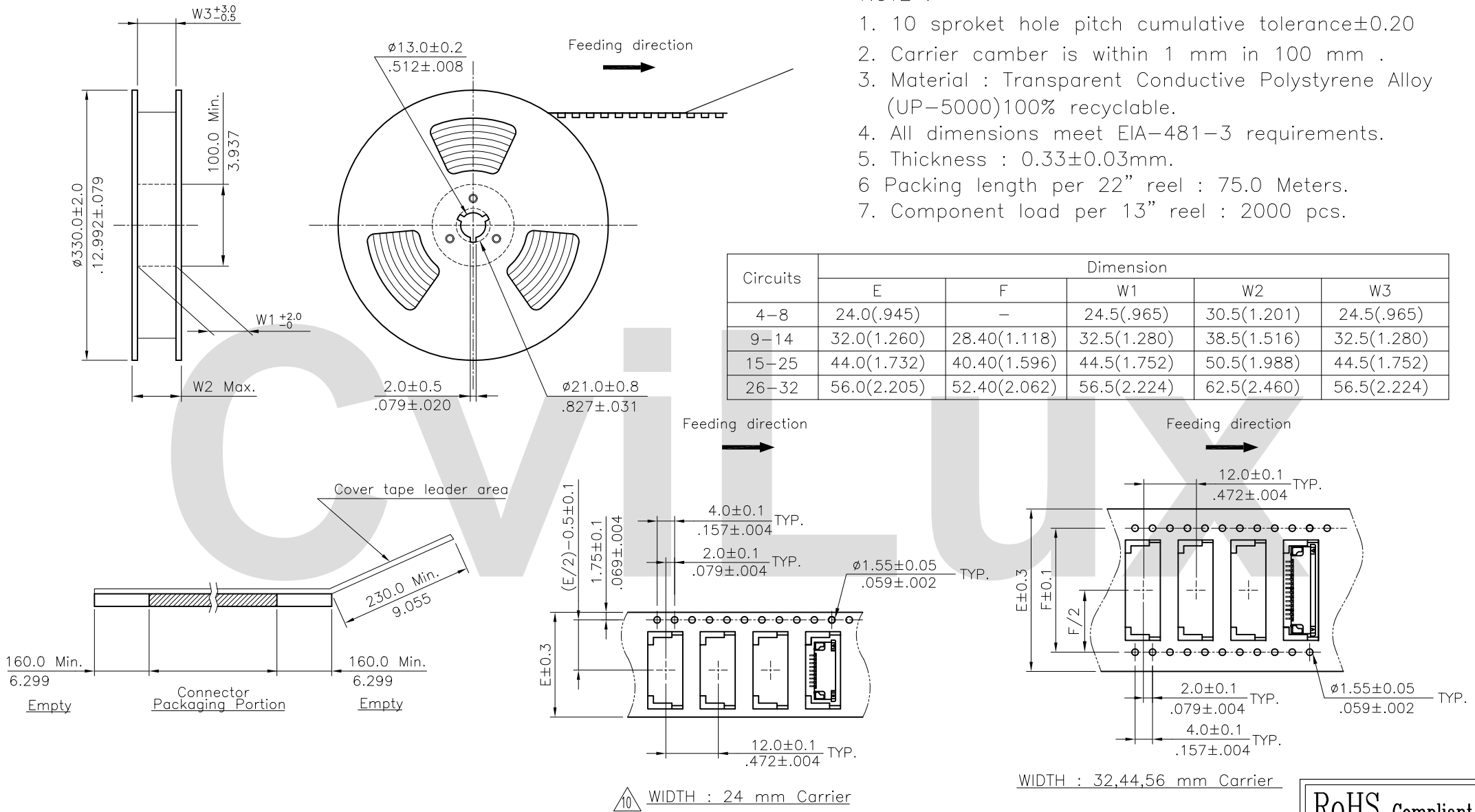
Tin-Lead Process RoHS compliant

⑩	Enya	10/18-13'	ECNT113069		DATE	UNIT: mm / inch	TITLE: 1.00mm(.039") ZIF FPC/FFC DOWNSIDE CONTACT SURFACE MOUNT CONNECTOR		
⑨	Sun	9/10-08'	ECR08047-2/ECN08398		DRAWN BY:	Enya	MATERIAL:		
⑧	Sun	5/13-08'	ECN08211		ENGINEER:	Sun		TOLERANCE UNLESS OTHERWISE SPECIFIED .X ± 0.15/.006 .X' ± 1' .XX ± 0.10/.004 .X' ± .XXX ± 0.05/.002 .XX' ±	
⑦	Sandy	9/17-07'	ECN07381/ECR07065-1		CHECKED BY:	Eisley			FINISH:
SYM	NAME	DATE	REVISIONS		APPROVED BY:	Eisley			


		瀚荃股份有限公司 CviLux Corporation	
		DRAWING NO. CF0701SP	PART NO. CF07***D0*0
SCALE	5 / 1	SHEET	1 OF 2

NOTE :

1. 10 sprocket hole pitch cumulative tolerance ± 0.20
2. Carrier camber is within 1 mm in 100 mm .
3. Material : Transparent Conductive Polystyrene Alloy (UP-5000) 100% recyclable.
4. All dimensions meet EIA-481-3 requirements.
5. Thickness : 0.33 ± 0.03 mm.
6. Packing length per 22" reel : 75.0 Meters.
7. Component load per 13" reel : 2000 pcs.



RoHS Compliant

10	Enya	10/18-13'	ECNT113069		DATE	UNIT: mm / inch	TITLE: 1.00mm(.039") ZIF FPC/FCC DOWNSIDE CONTACT SURFACE MOUNT CONNECTOR	 瀚荃股份有限公司 CviLux Corporation	
9	Sun	9/10-08'	ECR08047-2/ECN08398	DRAWN BY: Enya	10/18-13'	TOLERANCE UNLESS OTHERWISE SPECIFIED	MATERIAL:		
8	Sun	5/13-08'	ECN08211	ENGINEER: Sun	10/22-13'	.X ±	.X' ± 1'	DRAWING NO. CF0701SP	
7	Sandy	9/17-07'	ECN07381/ECR07065-1	CHECKED BY: Eisley	10/24-13'	.XX ±	.X ±		PART NO. CF07***D0*0
SYM	NAME	DATE	REVISIONS	APPROVED BY: Eisley	10/24-13'	.XXX ±	.XX ±	SCALE	SHEET 2 OF 2

CIVILUX CORP
 2013.11.07
 ISSUED