

Material:



Insulator: Glass filled Polyester UL 94V-0

Contact: Copper alloy

Shell: Steel, Tin plated as standard

High power Contact : Brass with Gold plated

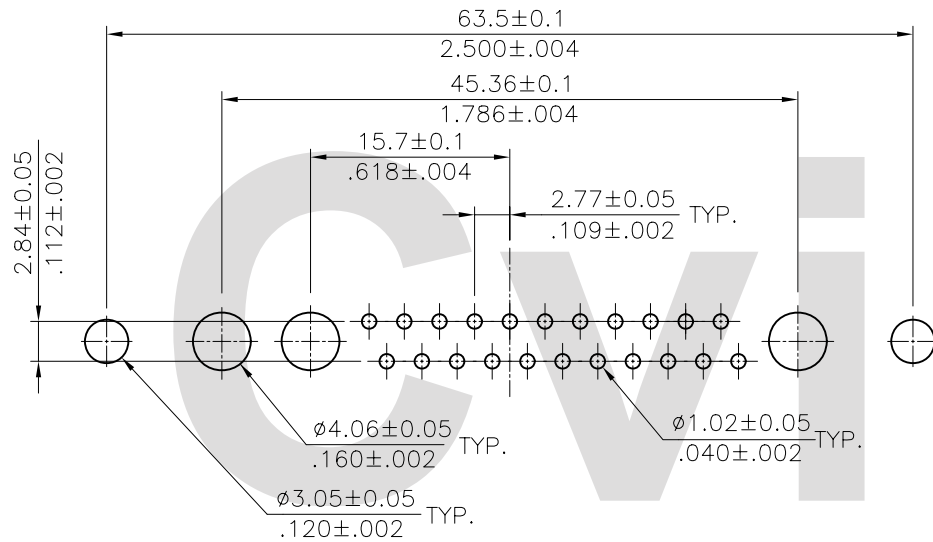
RoHS Compliant

4					DATE	UNIT: mm / inch	TITLE: 25W3 40A HIGH POWER MALE D-SUB CONNECTOR (TOP ENTRY BOARD MOUNT TYPE)	 瀚荃股份有限公司 CviLux Corporation
3				DRAWN BY: Rita	10/18-01'	TOLERANCE UNLESS OTHERWISE SPECIFIED	MATERIAL:	
2				ENGINEER: David	10/18-01'	.X ± 0.30/012 X' ± 1'	FINISH:	DRAWING NO. 25W309SB PART NO. 25W3PPV***40*00
1				CHECKED BY: David	10/18-01'	.XX ± 0.20/008 .X' ±		SCALE 2 / 1 SHEET 1 OF 2
SYM	NAME	DATE	REVISIONS	APPROVED BY: Alex	10/18-01'	.XXX ± 0.10/004 .XX' ±		

Ordering Code

$\frac{25W3}{\textcircled{1}}$
 $\frac{P}{\textcircled{2}}$
 $\frac{P}{\textcircled{3}}$
 $\frac{V}{\textcircled{4}}$
 $\frac{3}{\textcircled{5}}$
 $\frac{2}{\textcircled{6}}$
 $\frac{1}{\textcircled{7}}$
 $\frac{40}{\textcircled{8}}$
 $\frac{D00}{\textcircled{9}}$

- ① Series No.
- ② Connector Type: P= Plug
- ③ Contact type: P= High Power Contact
- ④ Contact tail style: V= Straight Dip type
- ⑤ High power contact plating:
 - 2= Gold flash plated over Nickel
 - 3= 15 μ " Gold plated over Nickel
 - 4= 30 μ " Gold plated over Nickel
 - 5= 50 μ " Gold plated over Nickel
- ⑥ Signal contact plating:
 - 2= Gold flash plated over Nickel
 - 3= 15 μ " Gold plated over Nickel
 - 4= 30 μ " Gold plated over Nickel
- ⑦ Insulator color: 1= Black, 6= Green
- ⑧ Performance: 40= 40A
- ⑨ Mounting Style:
 - 000= With $\phi 3.05$ mm holes on shell
 - B00= Riveted #4-40 UNC open nuts on front shell
 - C00= Riveted #4-40 UNC open nuts on rear shell
 - D00= Riveted #4-40 UNC ground stand-off on rear shell(standard)



Recommended P.C Board Layout

Mounting Style

RoHS Compliant

Code	000	Code	B00	Code	C00	Code	D00
			DIM. L= 4.0mm		DIM. L= 4.0mm		DIM. L= 7.0mm

4					DATE	UNIT: mm / inch	TITLE: 25W3 40A HIGH POWER MALE D-SUB CONNECTOR (TOP ENTRY BOARD MOUNT TYPE)	瀚荃股份有限公司 CviLux Corporation
3				DRAWN BY: Rita	10/18-01'	TOLERANCE UNLESS OTHERWISE SPECIFIED	MATERIAL:	
2				ENGINEER: David	10/18-01'	.X ± 0.30/.012 X: ± 1'	FINISH:	
1				CHECKED BY: David	10/18-01'	.XX ± 0.20/.008 .X ±		
SYM	NAME	DATE	REVISIONS	APPROVED BY: Alex	10/18-01'	.XXX ± 0.10/.004 .XX ±		



DRAWING NO.	25W309SB	PART NO.	25W3PPV***40*00
SCALE	2 / 1	SHEET	2 OF 2