

Materials : * Insulator : Glass filled polyester UL 94V-0

* Contact : Phosphor Bronze

△ * Shield : Copper Alloy with 80μ"Nickel over 50μ" Cu

* Solder tail plating : Matte Tin plated over Nickel

Ordering Code

CE53 06 S A 1 00
 ① ② ③ ④ ⑤ ⑥

- ① Series No.
- ② Contacts: 03~08 Circuits
- ③ Connector type: S= Receptacle
- ④ Contact area plating:

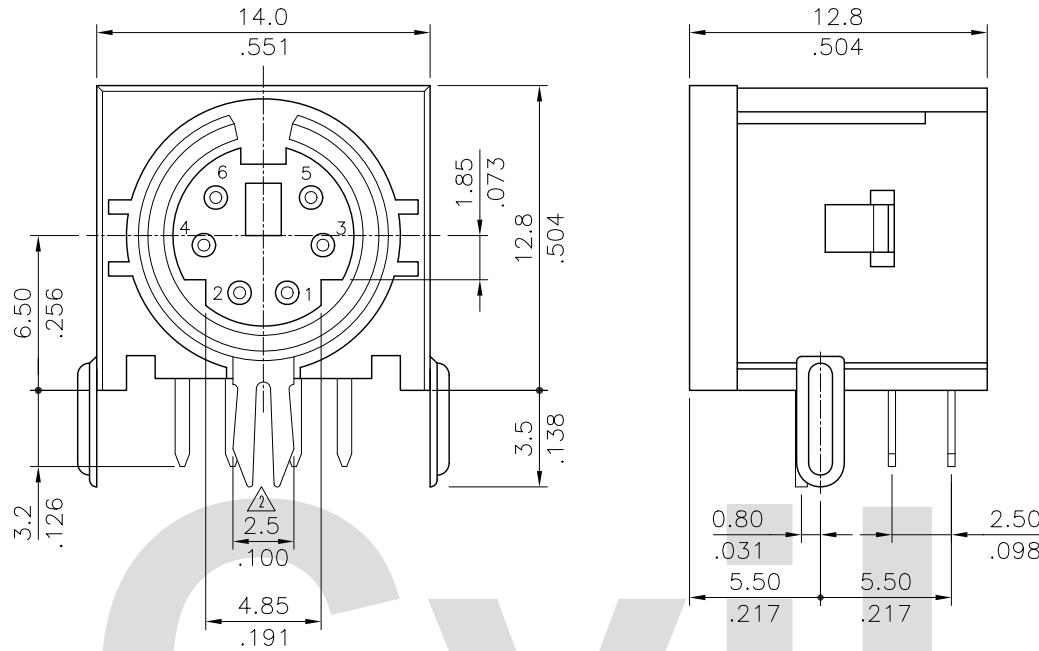
A= Selective Gold flash plated over 1.27μ(50μ") Nickel

B= Selective 0.38μ(15μ") Gold plated over 1.27μ(50μ") Nickel

C= Selective 0.76μ(30μ") Gold plated over 1.27μ(50μ") Nickel

△ ⑤ Color code: 1= Black

⑥ Other option: 00= Standard



Circuits	3	4	5	6	7	8
Arrangement of Contact						
P.C Board Layout						
Tolerance	.X ±0.10/.004 .XX ±0.05/.002					

RoHS Compliant

④					DATE	UNIT: mm / inch	TITLE: 4 WALL SHELED MINI DIN SOCKET WITH HOOK	瀚荃股份有限公司 CviLux Corporation			
③	Sandy	3/31/06'	ECR06028-0/ECN06113	DRAWN BY: Eisley	4/26/06'	TOLERANCE UNLESS OTHERWISE SPECIFIED	MATERIAL:				DRAWING NO.
②	Sandy	11/7/05'	ECR05108-0/ECN055105	ENGINEER: Eisley	4/26/06'	.X ± 0.30/.012 X' ± 1'	FINISH:	SCALE	3 / 1	SHEET	1 OF 1
①	Sun	7/01/05'	ECR05061-0/ECN05230	CHECKED BY: David	4/26/06'	.XX ± 0.20/.008 X' ±					
SYM	NAME	DATE	REVISIONS	APPROVED BY: David	4/26/06'	.XXX ±					

CVILUX CORP.
 2006.05.02
 ISSUED