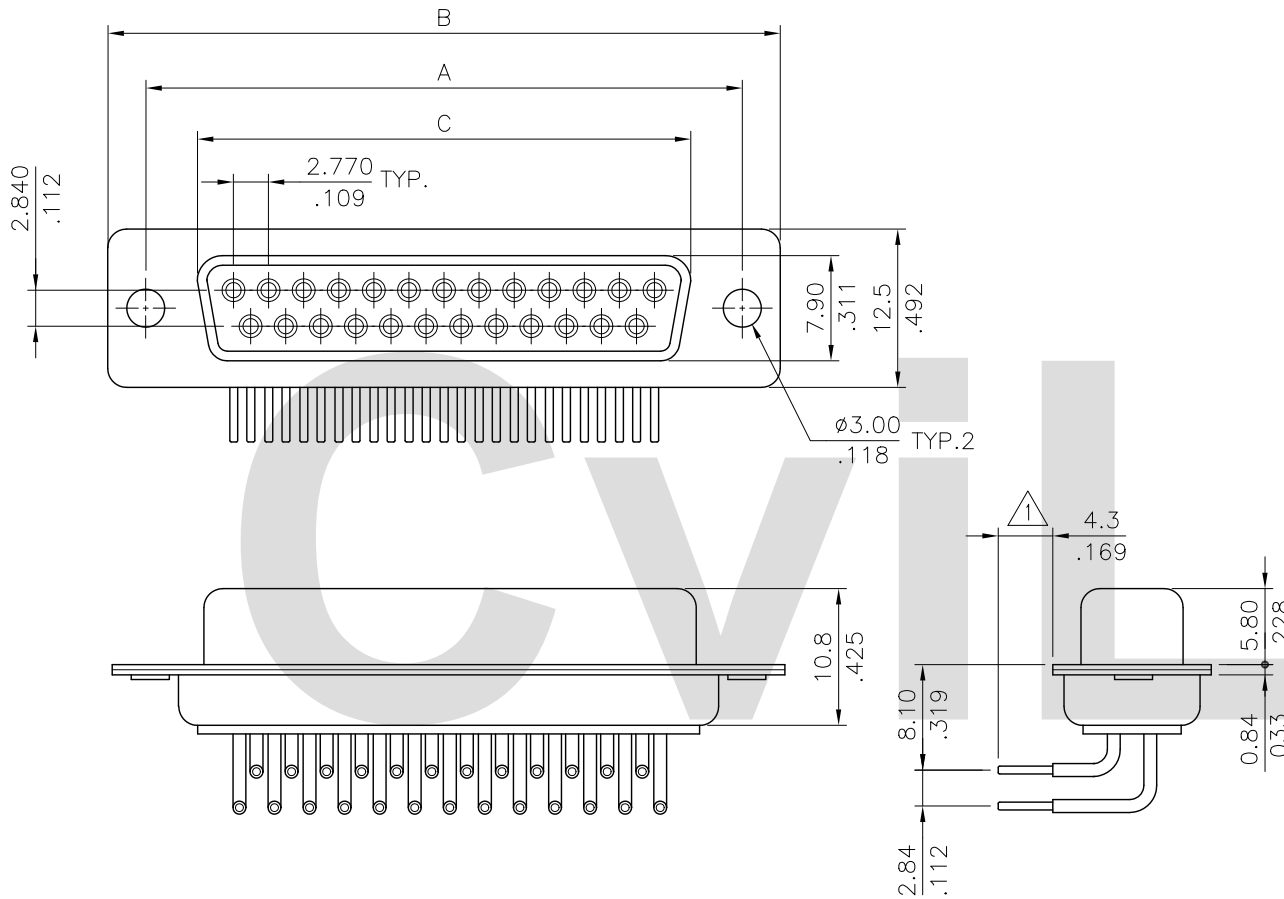


Material:

Insulator: Glass filled Polyester UL 94V-0
Color Black or White

Contact: Brass

Shell: Steel, Tin plated as standard



Circuits	Dimension		
	A	B	C
9	25.00(.984)	30.8(1.213)	16.30(.642)
15	33.32(1.312)	39.2(1.543)	24.60(.969)
25	47.04(1.852)	53.1(2.091)	38.30(1.508)
37	63.50(2.500)	69.4(2.732)	54.80(2.157)

Ordering Code :

CD73 25 S * * 00

① ② ③ ④ ⑤ ⑥

- Series No.
- Contacts: 9,15,25,37
- Contact type : P=Plug , S=Receptacle
- Contact Plating :
 - 2 = Gold flash plated over 1.27 μ m(50 μ) Nickel
 - 3 = 0.38 μ m(15 μ) Gold plated over 1.27 μ m(50 μ) Nickel
 - 4 = 0.76 μ m(30 μ) Gold plated over 1.27 μ m(50 μ) Nickel
 - 5 = 1.27 μ m(50 μ) Gold plated over 1.27 μ m(50 μ) Nickel
- Insulator Color :
 - 1=Black , 0=White
- Other option :
 - 00 = With $\phi 3.00$ mm holes on shell

Lead Free Process

RoHS Compliant

SYM	NAME	DATE	REVISIONS	APPROVED BY:	DATE	UNIT: mm / inch	TITLE: D-SUB SIDE ENTRY (8.1mm) FEMALE CONNECTOR (MACHINED CONTACTOR)	DRAWING NO.	CD7302SD	PART NO.	CD73***S**00
4											
3											
2											
1	Karen	10/04-11'	ECN11215/ECR11080-0	Eisley	10/11-11'	.X ±0.30/.012	.X' ± 1'				
				Eisley	10/11-11'	.XX ±0.20/.008	.X' ±				
				Eisley	10/11-11'	.XXX ±0.10/.004	.XX' ±				
								SCALE	2 / 1	SHEET	1 OF 1

CIVILUX CORP
2011.10.13
ISSUED



瀚荃股份有限公司
CviLux Corporation