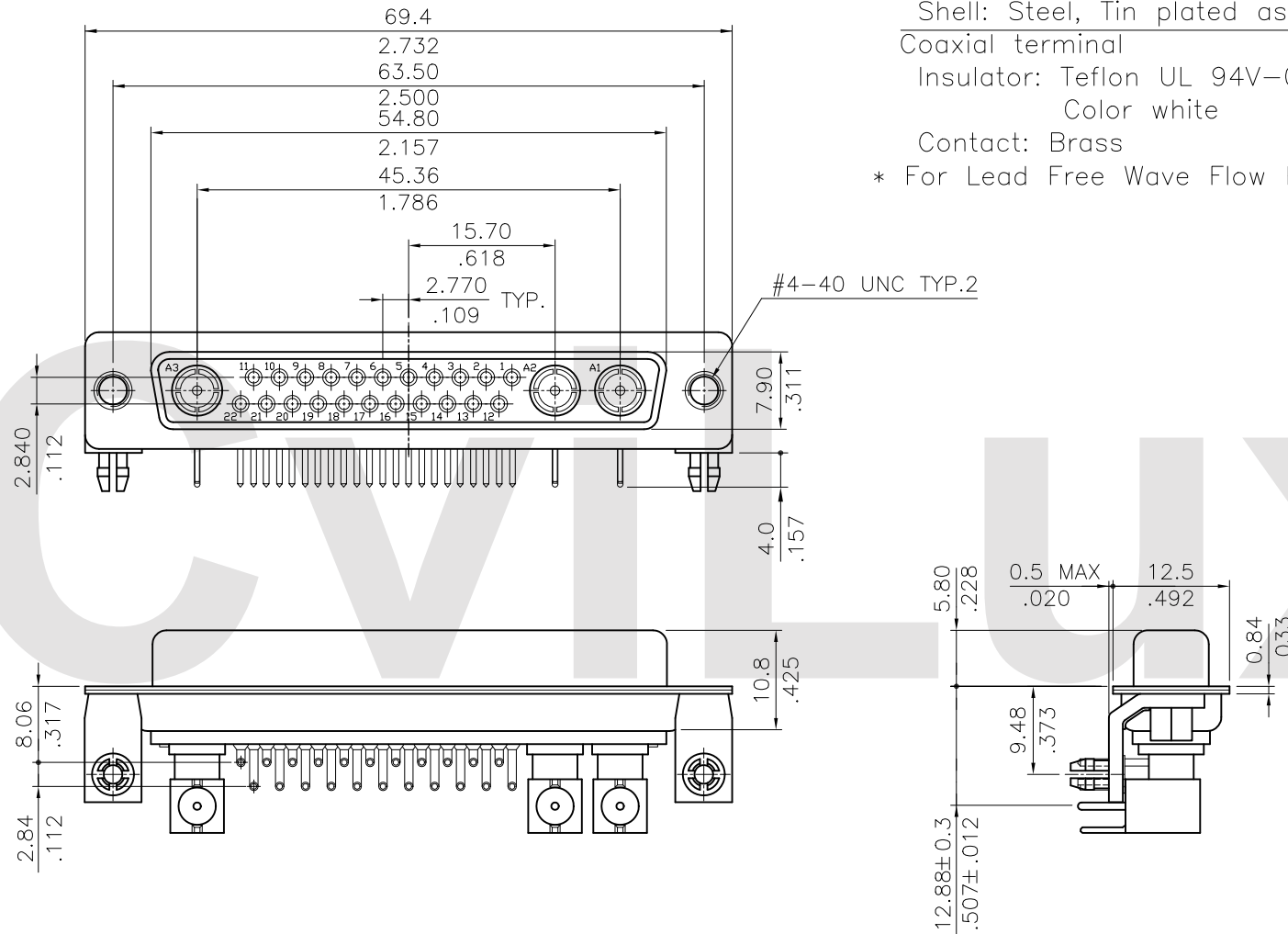


Notes:

- Insulator: Glass filled Polyester UL 94V-0
- Contact: Copper alloy
- Shell: Steel, Tin plated as standard

- Coaxial terminal
- Insulator: Teflon UL 94V-0
- Color white
- Contact: Brass
- * For Lead Free Wave Flow Process



Lead Free Process

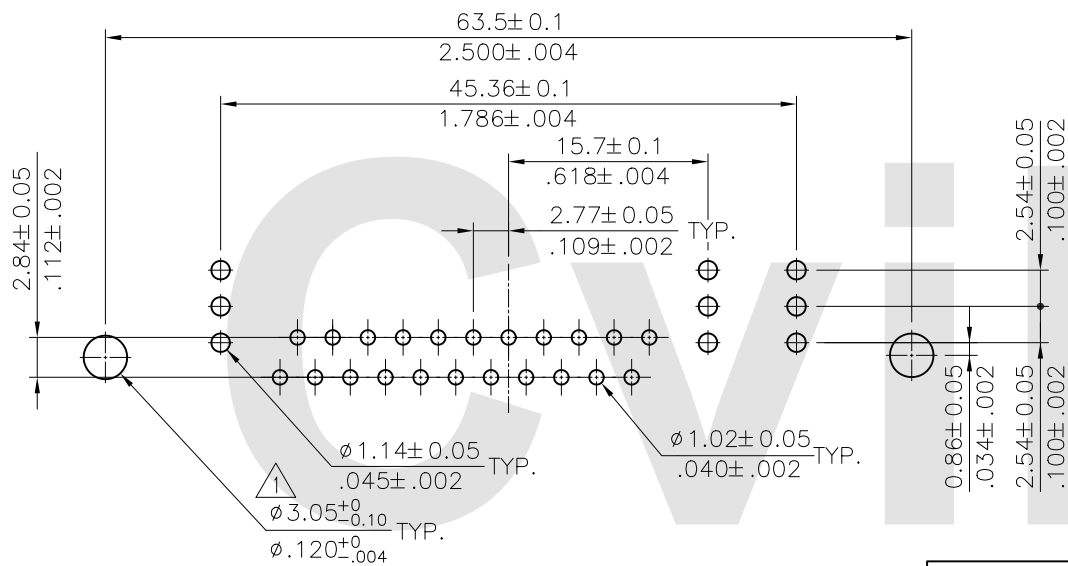
RoHS Compliant

4						DATE	UNIT: mm / inch	TITLE: 25W3 COAXIAL FEMALE D-SUB CONNECTOR (RIGHT ANGLE PCB MOUNT TYPE) MATERIAL: FINISH:	瀚荃股份有限公司 CviLux Corporation	DRAWING NO.	25W306SC	PART NO.	25W3SCH*****		
3			DRAWN BY:		Karen	4/20-17'	TOLERANCE UNLESS OTHERWISE SPECIFIED			SCALE	2 / 1	SHEET	1	OF	2
2			ENGINEER:		Sun	4/21-17'	.X ± 0.30/.012 X: ± 1'								
1	Karen	4/18-17'	CHECKED BY:		Eisley	4/21-17'	.XX ± 0.20/.008 X: ±								
SYM	NAME	DATE	REVISIONS	APPROVED BY:	Eisley	4/21-17'	.XXX ± 0.10/.004 XX ±								

Ordering Code

25W3 S C H 3 2 1 75 I10
 ① ② ③ ④ ⑤ ⑥ ⑦ ⑧ ⑨

- ① Series No.
- ② Connector Type: S= Receptacle
- ③ Contact type: C= Coaxial Contact
- ④ Contact tail style: H= Right Angle Dip type
- ⑤ Coaxial contact plating:
 - 2= Gold flash plated over Nickel
 - 3= 15 μ " Gold plated over Nickel
 - 4= 30 μ " Gold plated over Nickel
 - 5= 50 μ " Gold plated over Nickel
- ⑥ Signal contact plating:
 - 2= Gold flash plated over Nickel
 - 3= 15 μ " Gold plated over Nickel
 - 4= 30 μ " Gold plated over Nickel
- ⑦ Insulator color: 1= Black, 6= Green
- ⑧ Performance: 50= 50 Ω , 75= 75 Ω
- ⑨ Mounting Style:
 - 000= With ϕ 3.05mm holes on shell
 - B00= Riveted #4-40 UNC open nuts on front shell
 - C00= Riveted #4-40 UNC open nuts on rear shell
 - I00= Riveted #4-40 UNC ground tabs with ϕ 3.2mm holes
 - I10= Riveted #4-40 UNC ground tabs with board locks(standard)



Mounting Style		Code		Code		Code		Code	
		000	B00	C00	I00	I10			
		DIM. L= 4.0mm		DIM. L= 4.0mm		ϕ A=3.2mm			

Lead Free Process
 RoHS Compliant

④					DATE	UNIT: mm / inch	TITLE: 25W3 COAXIAL FEMALE D-SUB CONNECTOR (RIGHT ANGLE PCB MOUNT TYPE)	瀚荃股份有限公司 CviLux Corporation
③					DRAWN BY: Karen 4/20-17'	TOLERANCE UNLESS OTHERWISE SPECIFIED	MATERIAL:	
②					ENGINEER: Sun 4/21-17'	.X ± 0.30/012 X: ± 1'	FINISH:	
①	Karen	4/18-17'	ECNT117049/ECRT117003		CHECKED BY: Eisley 4/21-17'	.XX ± 0.20/008 .X: ±	DRAWING NO. 25W306SC PART NO. 25W3SCH*****	
SYM	NAME	DATE	REVISIONS		APPROVED BY: Eisley 4/21-17'	.XXX ± 0.10/004 .XX: ±	SCALE 2 / 1 SHEET 2 OF 2	

CVILUX CORP
 2017.04.27
 ISSUED