

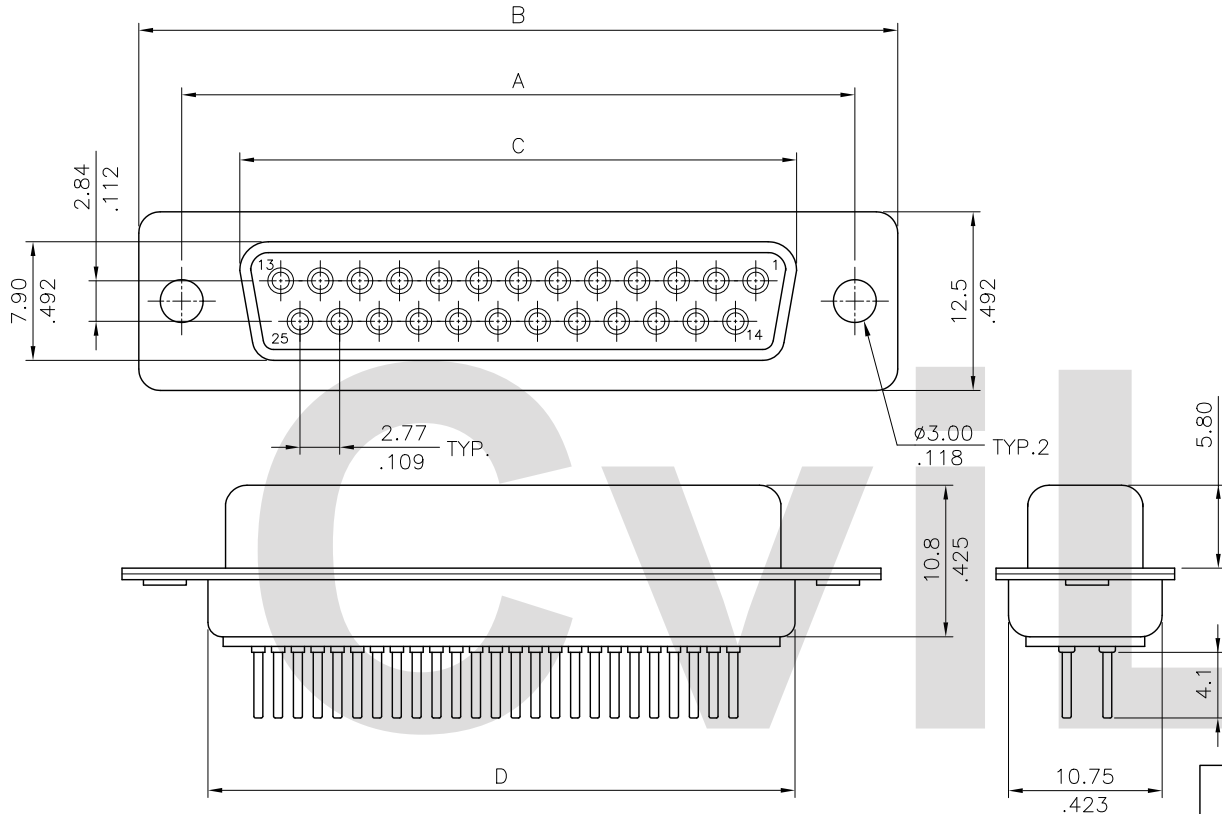
Materials:

- * Insulator: Glass filled polyester UL 94V-0
 - * Contact: Brass
 - * Shell: Steel, Tin plated as standard
- Recommended P.C. Board Layout see drawing No. CD5303S*

Ordering Code:

CD53 25 S 2 1 00
 ① ② ③ ④ ⑤ ⑥

- ① Series No.
- ② Contacts: 9,15,25,37
- ③ Contact type: S=Receptacle(Female)
- ④ Plating option:
 2= Gold flash plated over Nickel
 A= Selective Gold flash plated over Nickel
 B= Selective 0.38 μ m(15 μ ") Gold plated over 1.27 μ m(50 μ ") Nickel
 C= Selective 0.76 μ m(30 μ ") Gold plated over 1.27 μ m(50 μ ") Nickel
- ⑤ Color: 1= Black, 0= White, 7= Blue
- ⑥ Other Option:
 Δ00 = With ϕ 3.00mm holes on shell(Standard)
 B0 = Riveted #4-40 UNC open nuts on front shell
 C0 = Riveted #4-40 UNC open nuts on rear shell
 ΔD0 = Riveted #4-40 UNC ground stand-off on rear shell



Circuits	Dimension			
	A	B	C	D
9	25.00(.984)	30.8(1.213)	16.30(.642)	19.20(.756)
15	33.32(1.312)	39.2(1.543)	24.60(.969)	27.70(1.091)
25	47.04(1.852)	53.1(2.091)	38.30(1.508)	41.10(1.618)
37	63.50(2.500)	69.4(2.732)	54.80(2.157)	57.30(2.256)

Mounting Style

Code	00	Code	B0	Code	C0	Code	D0
			DIM. L= 4.0mm		DIM. L= 4.0mm		DIM. L= 6.0mm

Lead Free Process
 RoHS Compliant

④					DATE	UNIT: mm / inch	TITLE: D-SUB TOP ENTRY BOARD MOUNT FEMALE CONNECTOR	瀚荃股份有限公司 CviLux Corporation	
③					DRAWN BY: Sandy	TOLERANCE UNLESS OTHERWISE SPECIFIED	MATERIAL:		
②	Sandy	3/25-10'	ECN10079		ENGINEER: Eisley	.X ±0.30/.012	.X' ± 1'	DRAWING NO. CD5301SI	
①	SUN	8/27/03'	ECN03269		CHECKED BY: David	4/12-10'	.XX ±0.20/.008	.X' ±	PART NO. CD53**S****
SYM	NAME	DATE	REVISIONS		APPROVED BY: David	4/12-10'	.XXX ±0.10/.004	.XX' ±	SCALE 2 / 1
								SHEET 1 OF 1	