

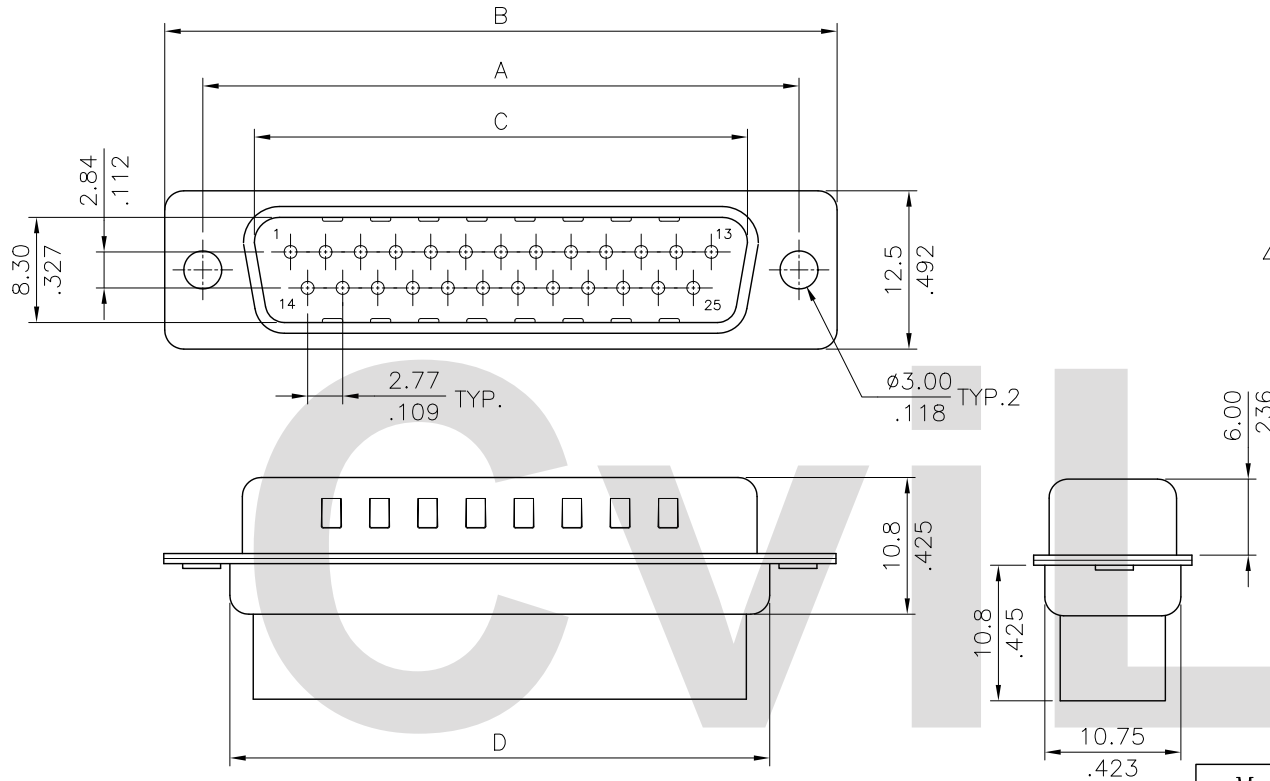
Material:

- * Insulator: Glass filled polyester UL 94V-0
- * Contact: Brass
- * Shell: Steel, Tin plated as standard

Ordering Code

CD52 25 P0 1 00
 ① ② ③ ④ ⑤

- ① Series No.
- ② No. of Circuits:
- ③ Contact type: P0= Plug(Male)
- ④ Color: 1= Black, 7= Blue, 0= White
- ⑤ Other Option:
 - △ 00 = With $\phi 3.00$ mm holes on shell(Standard)
 - A0 = Riveted #4-40 UNC close nuts on front shell
 - B0 = Riveted #4-40 UNC open nuts on front shell
 - C0 = Riveted #4-40 UNC open nuts on rear shell



Circuits	Dimension			
	A	B	C	D
9	25.00(.984)	30.8(1.213)	16.92(.666)	19.20(.756)
15	33.32(1.312)	39.2(1.543)	25.25(.994)	27.70(1.091)
25	47.04(1.852)	53.1(2.091)	38.96(1.534)	41.10(1.618)
37	63.50(2.500)	69.4(2.732)	55.42(2.182)	57.30(2.256)

Mounting Style

Code		00	Code		A0	Code		B0	Code		C0
		DIM. L= 5.8mm				DIM. L= 4.0mm				DIM. L= 4.0mm	

RoHS Compliant

CVILUX CORP
 2010.04.27
 ISSUED

④					DATE	UNIT: mm / inch	TITLE: D-SUB MALE CRIMP CLIP SERIES	瀚荃股份有限公司 CviLux Corporation			
③					DRAWN BY: Sandy	TOLERANCE UNLESS OTHERWISE SPECIFIED	MATERIAL:				
②					ENGINEER: Eisley	.X $\pm 0.30/.012$ X' ± 1 '	FINISH:	DRAWING NO. CD5202SD	PART NO.	CD52**P0***	
①	Sandy	3/25-10'	ECN10079		CHECKED BY: David	.XX $\pm 0.20/.008$.X' \pm		SCALE	2 / 1	SHEET	1 OF 1
SYM	NAME	DATE	REVISIONS		APPROVED BY: David	.XXX $\pm 0.10/.004$.XX' \pm					