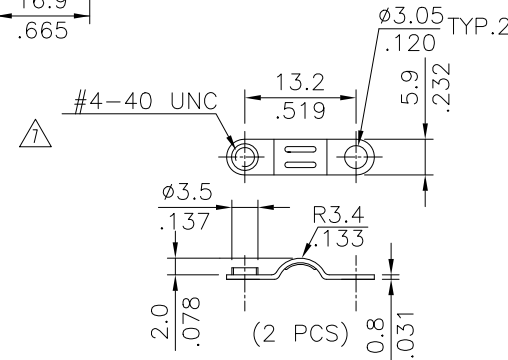
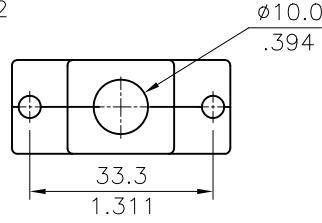
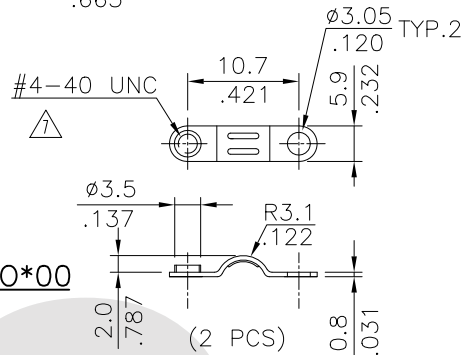
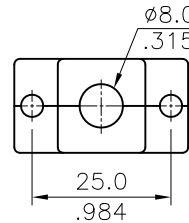
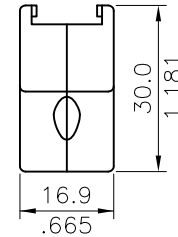
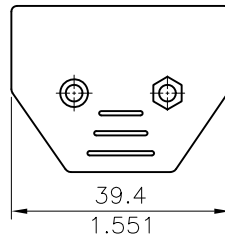
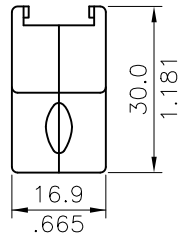
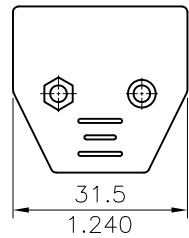


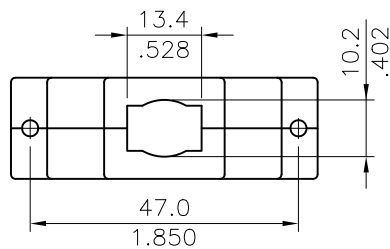
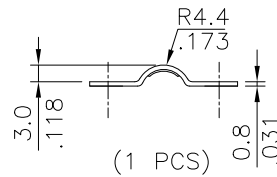
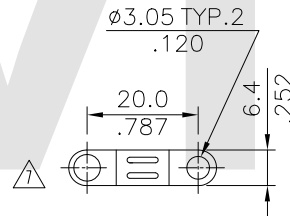
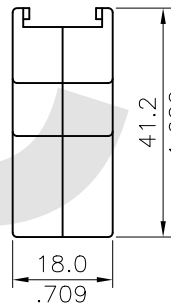
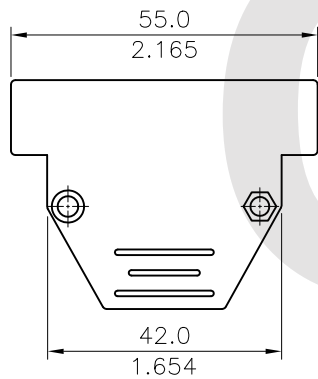
Material:

- \* Hood: ABS UL 94HB  
Color Black or Metalized
- \* Screw: Steel with Nickel plated
- \* Cable Clipper: Steel with Nickel plated

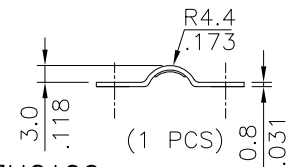
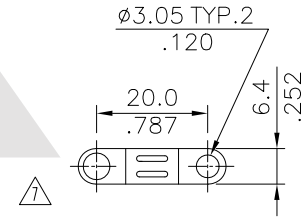
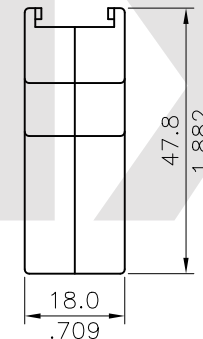
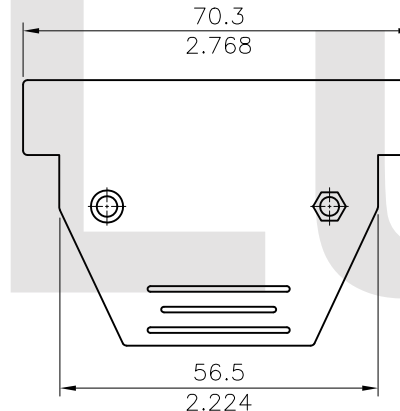


P/N: CD4409HO\*00

P/N: CD4415HO\*00



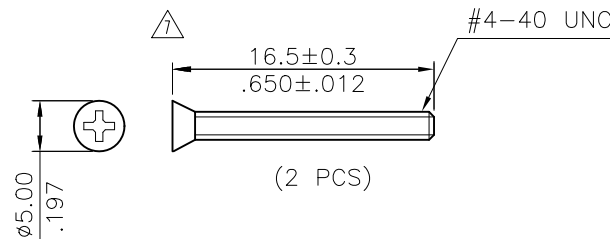
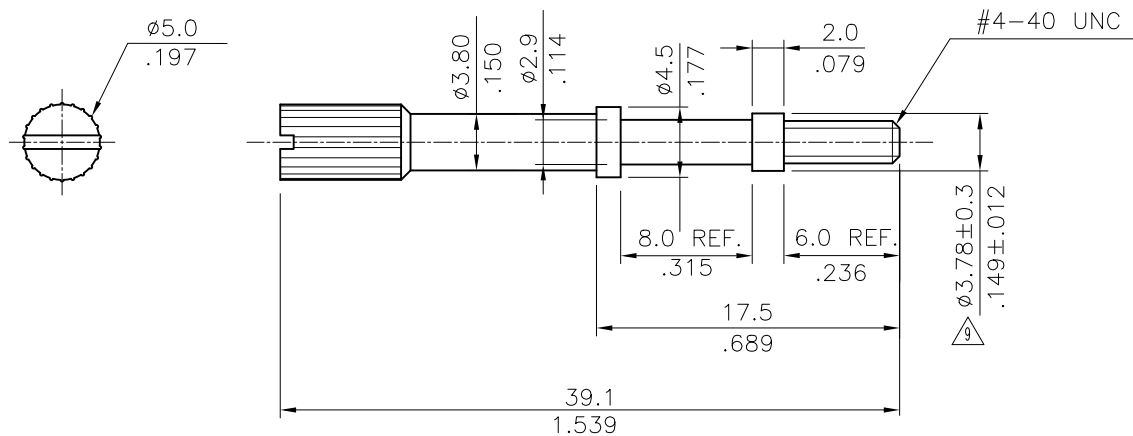
P/N: CD4425HO\*00



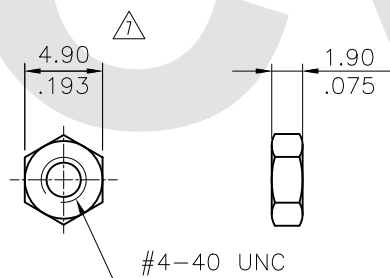
P/N: CD4437HO\*00

RoHS Compliant

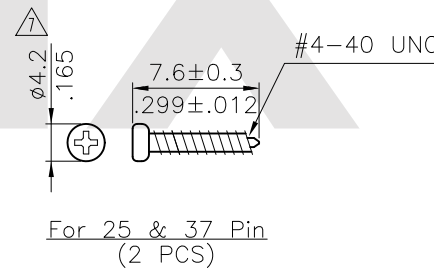
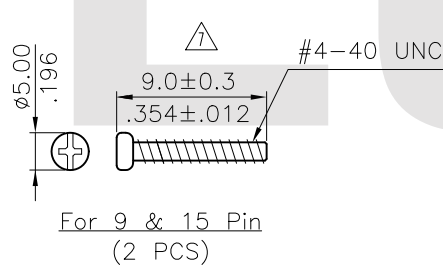
△10	Karen	5/18-16'	ECNT116097/ECRT116014		DATE	UNIT: mm / inch	TITLE: D-SUB CONNECTOR ACCESSORIES (PLASTIC HOOD & ACCESSORY SCREW)	 瀚荃股份有限公司 CviLux Corporation	
△9	Karen	6/11-11'	ECN11123/ECR11034-0		DRAWN BY: Karen	5/18-16'	TOLERANCE UNLESS OTHERWISE SPECIFIED		MATERIAL:
△8	Karen	8/17-09'	ECN09417/ECR09109-0		ENGINEER: Sun	5/18-16'	.X ± 0.38/.015 X' ± 1"		FINISH:
△7	Bill	12/07/07'	ECN07499/ECR07132-0		CHECKED BY: Eisley	5/20-16'	.XX ± 0.25/.010 X' ±		DRAWING NO. CD4401SL
SYM	NAME	DATE	REVISIONS		APPROVED BY: Eisley	5/20-16'	.XXX ±		PART NO. CD44**HO*00
								SCALE 1 / 2	SHEET 1 OF 2



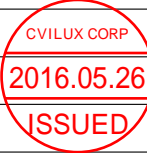

$\triangle 7$   $\triangle 8$   
 P/N: CDHWE104S00  
 (2 PCS)



$\triangle 10$  (2 PCS)



RoHS Compliant

$\triangle 10$	Karen	5/18-16'	ECNT116097/ECRT116014	 <b>2016.05.26</b> <b>ISSUED</b>		DATE	UNIT: mm / inch	TITLE: D-SUB CONNECTOR ACCESSORIES (PLASTIC HOOD & ACCESSORY SCREW)	 瀚荃股份有限公司 CviLux Corporation	
$\triangle 9$	Karen	6/11-11'	ECN11123/ECR11034-0		DRAWN BY: Karen	5/18-16'	TOLERANCE UNLESS OTHERWISE SPECIFIED	MATERIAL:		DRAWING NO. CD4401SL
$\triangle 8$	Karen	8/17-09'	ECN09417/ECR09109-0		ENGINEER: Sun	5/18-16'	.X $\pm$ 0.38/015 X' $\pm$ 1"	FINISH:		PART NO. CD44**H0*00
$\triangle 7$	Bill	12/07/07'	ECN07499/ECR07132-0		CHECKED BY: Eisley	5/20-16'	.XX $\pm$ 0.25/010 .X' $\pm$		SCALE 2 / 1	
SYM	NAME	DATE	REVISIONS		APPROVED BY: Eisley	5/20-16'	.XXX $\pm$		SHEET 2 OF 2	