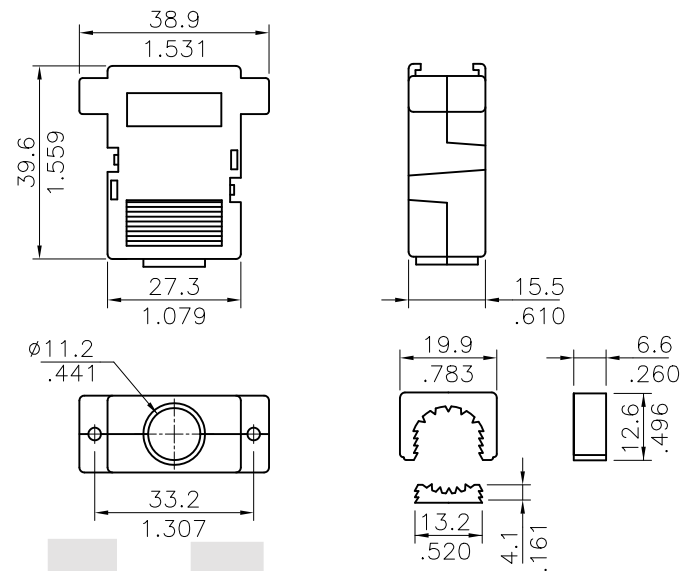
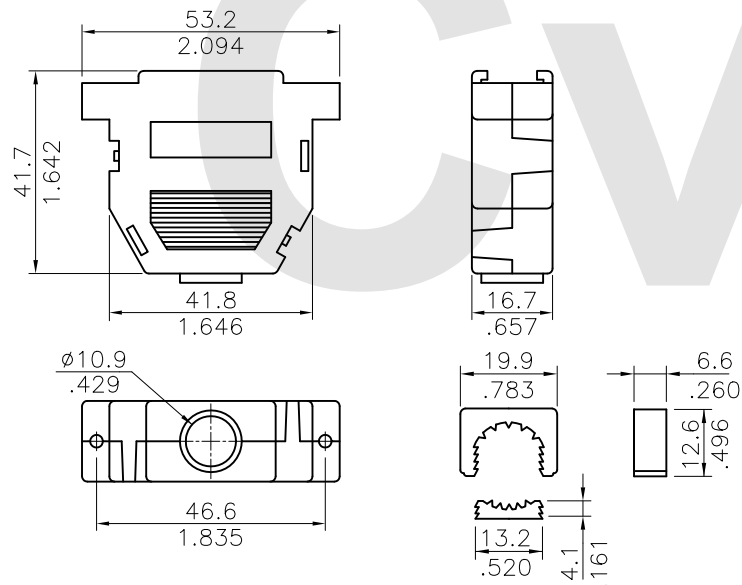


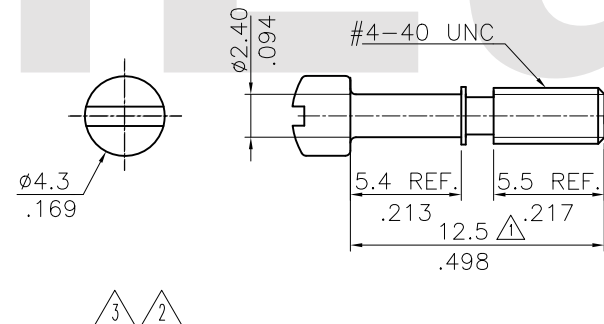
P/N: CD4309HO*00



P/N : CD4315HO*00




P/N: CD4325HO*00



(2 PCS)

Material:
 Hood: ABS UL 94HB
 Screw: Steel with Nickel plated
 Cable Clipper: NYLON 6/6 UL94V-2

RoHS Compliant

4					DATE	UNIT: mm / inch	TITLE: D-SUB CONNECTOR ACCESSORIES (PLASTIC HOOD & ACCESSORY SCREW)	 瀚荃股份有限公司 CviLux Corporation
3	Karen	5/18-16'	ECNT116097/ECRT116014	DRAWN BY: Karen	5/18-16'	TOLERANCE UNLESS OTHERWISE SPECIFIED	MATERIAL:	
2	Bill	12/07/07	ECN07499/ECR07132-0	ENGINEER: Sun	5/18-16'	.X ± 0.38/.015 X: ± 1'	FINISH:	DRAWING NO. CD4301SG PART NO. CD43**H0*00
1	Sun	12/21/04	ECN04509	CHECKED BY: Eisley	5/20-16'	.XX ± .025/.010 X: ±		SCALE 1 / 2 SHEET 1 OF 1
SYM	NAME	DATE	REVISIONS	APPROVED BY: Eisley	5/20-16'	.XXX ± .XX ±		

CVILUX CORP
 2016.05.26
 ISSUED