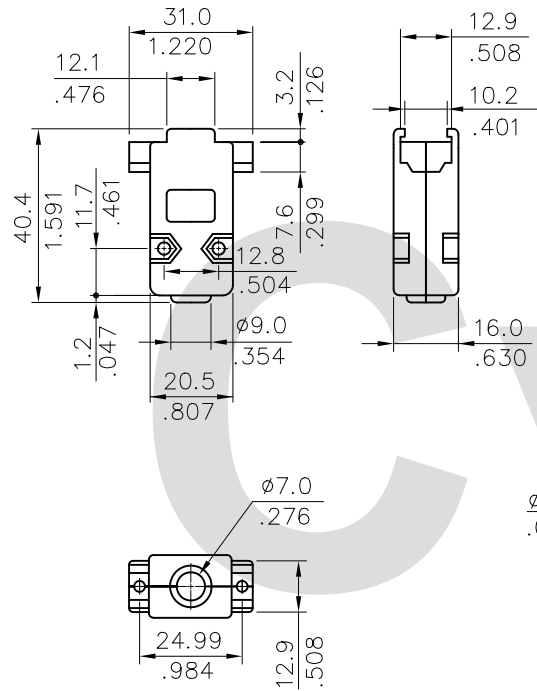
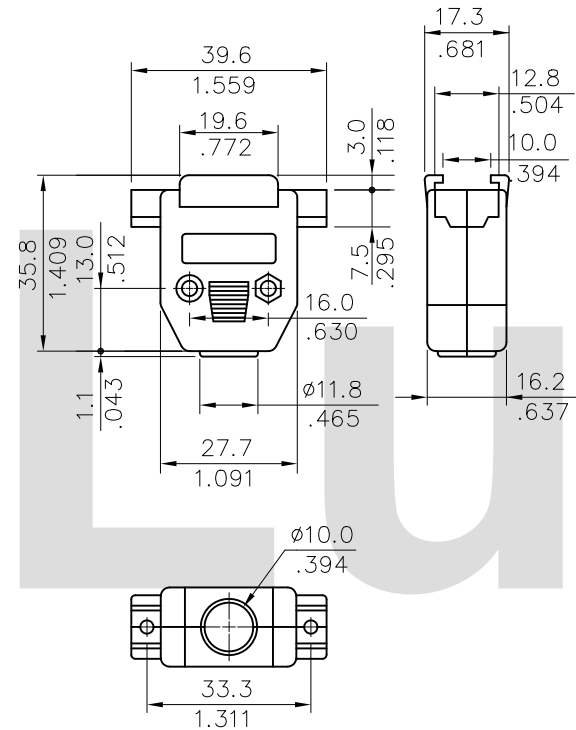
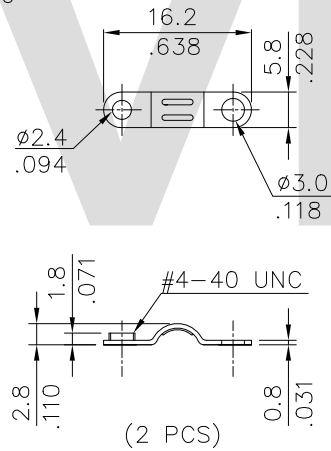


Material:

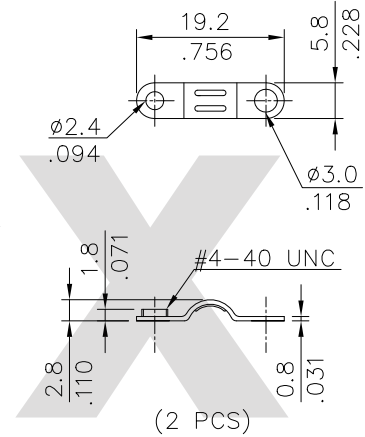
- * Hood: ABS UL 94HB
- * Screw: Steel with Nickel plated
- * Cable Clipper: Steel with Nickel plated




P/N: CD4209H0100(Black)
P/N: CD4209H0900(Gray)



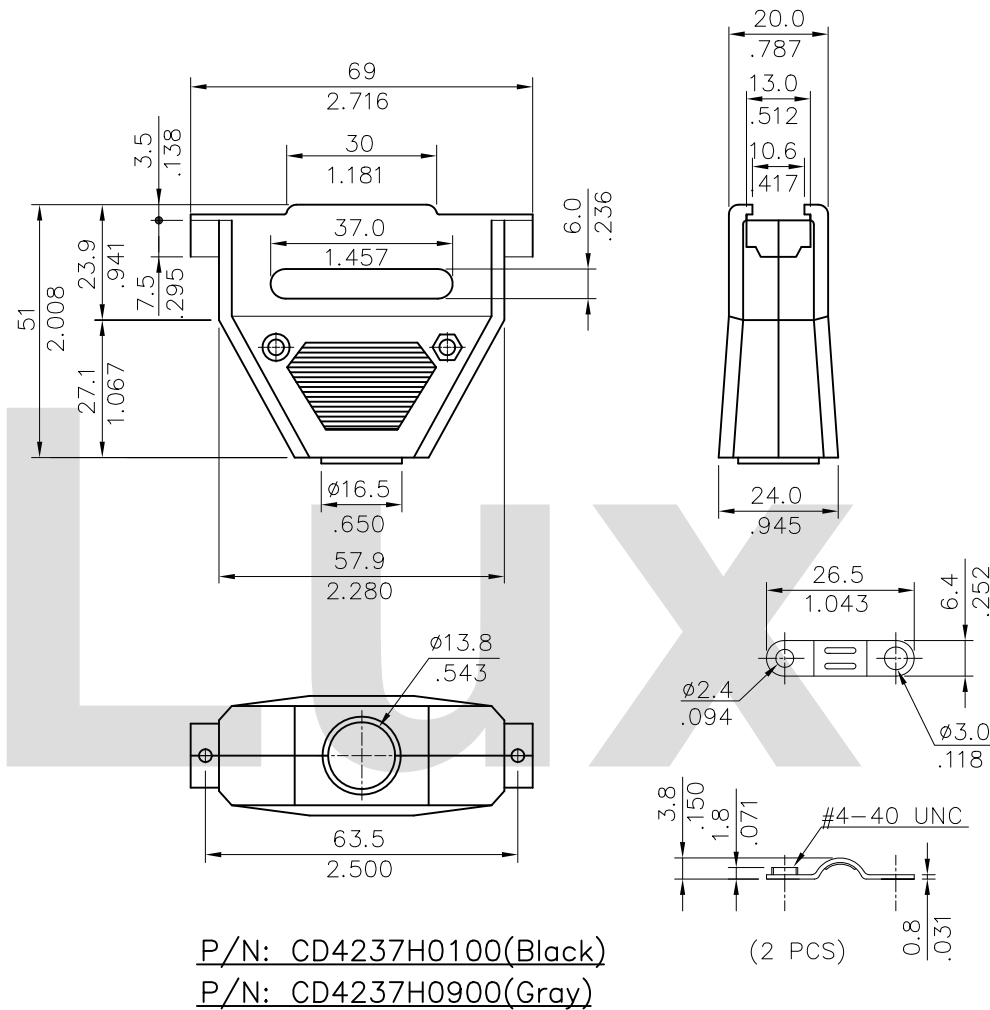
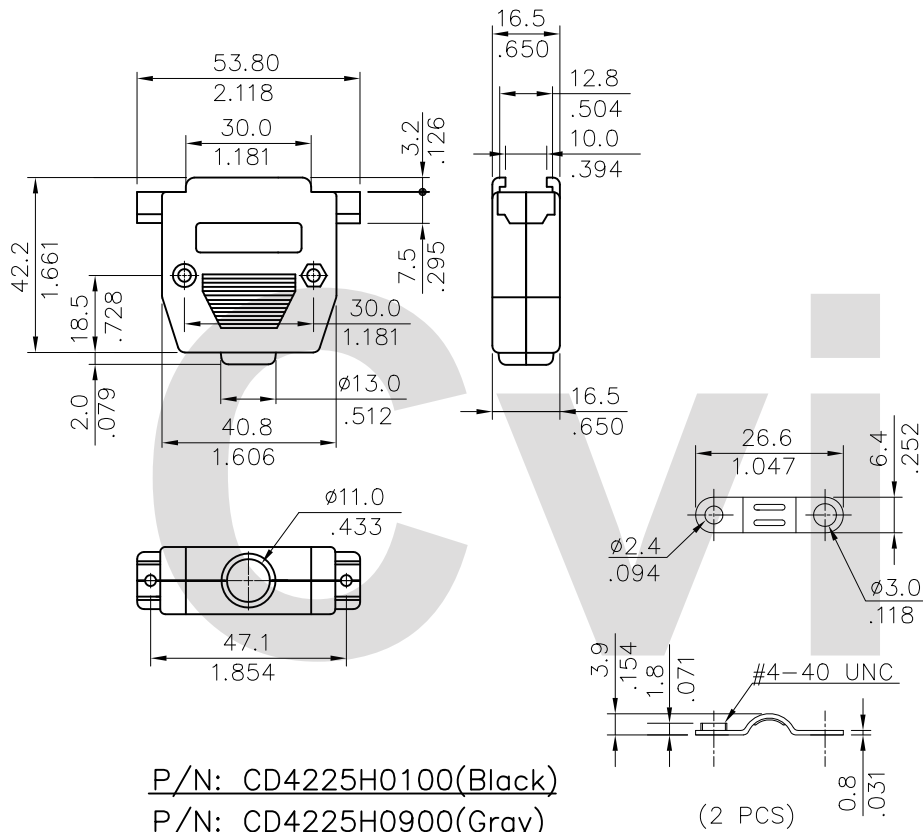
P/N: CD4215H0100(Black)
P/N: CD4215H0900(Gray)




RoHS Compliant

7	Sandy	12/15-14'	ECRT114097/ECRT114102/ECNT114291		DATE	UNIT: mm / inch	TITLE: D-SUB CONNECTOR ACCESSORIES (PLASTIC HOOD & ACCESSORY SCREW)	 瀚荃股份有限公司 CviLux Corporation	
6	Karen	12/1-08'	ECN08596/ECR08096-0	DRAWN BY: Sandy	12/25-14'	TOLERANCE UNLESS OTHERWISE SPECIFIED	MATERIAL:		
5	Karen	8/26/08'	ECN08414	ENGINEER: Sun	12/30-14'	X. ± 0.30/.012 X.* ± 1"	FINISH:	DRAWING NO. CD4201SK	PART NO. CD42**H0100 CD42**H0900
4	Bill	12/07/07'	ECN07499/ECR07132-0	CHECKED BY: Eisley	12/30-14'	.X ± 0.30/.012 .X* ±		SCALE 1 / 2	SHEET 1 OF 3
SYM	NAME	DATE	REVISIONS	APPROVED BY: Eisley	12/30-14'	.XX ± 0.20/.008 .XX* ±			

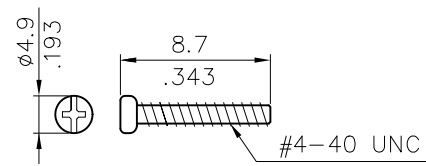
CVILUX CORP
 2015.01.16
 ISSUED



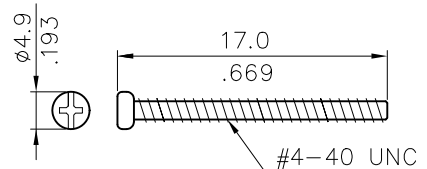
RoHS Compliant

7	Sandy	12/15-14'	ECRT114097/ECRT114102/ECNT114291		DATE	UNIT: mm / inch	TITLE: D-SUB CONNECTOR ACCESSORIES (PLASTIC HOOD & ACCESSORY SCREW)	 瀚荃股份有限公司 CviLux Corporation	DRAWING NO. CD4201SK	PART NO. CD42**H0100 CD42**H0900
6	Karen	12/1-08'	ECN08596/ECR08096-0	DRAWN BY: Sandy	12/25-14'	TOLERANCE UNLESS OTHERWISE SPECIFIED	MATERIAL:			
5	Karen	8/26/08'	ECN08414	ENGINEER: Sun	12/30-14'	X. ± 0.30/.012 X.* ± 1'	FINISH:			
4	Bill	12/07/07'	ECN07499/ECR07132-0	CHECKED BY: Eisley	12/30-14'	.X ± 0.30/.012 .X* ±				
SYM	NAME	DATE	REVISIONS	APPROVED BY: Eisley	12/30-14'	.XX ± 0.20/.008 .XX* ±				

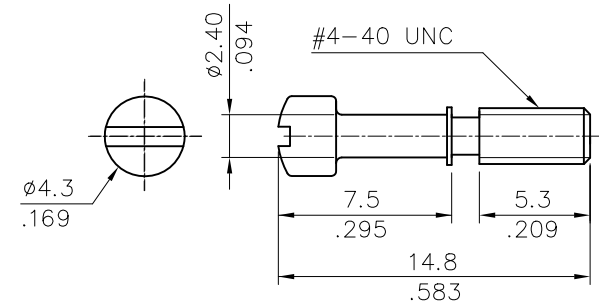
CVILUX CORP
2015.01.16
ISSUED



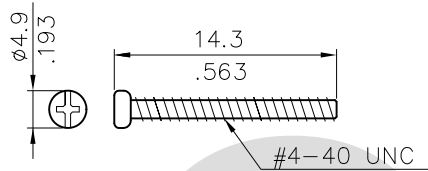
For 9.15.25 Pin
(2 PCS)



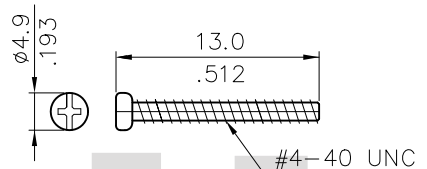
For 37 Pin
(2 PCS)



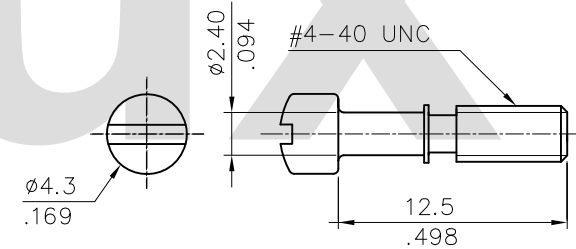
For 37 Pin(2 PCS)



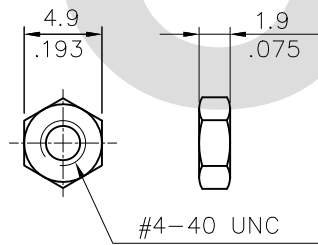
For 9.15.25 Pin
(2 PCS)



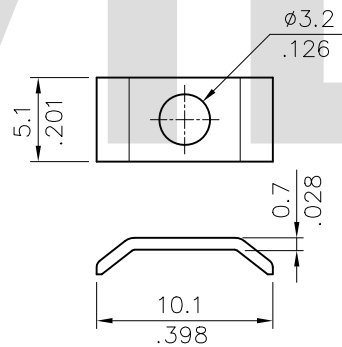
For 37 Pin
(2 PCS)



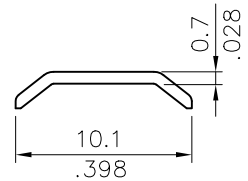
For 9.15.25 Pin(2 PCS)




(2 PCS)



(2 PCS)



RoHS Compliant

7	Sandy	12/15-14'	ECRT114097/ECRT114102/ECNT114291		DATE	UNIT: mm / inch	TITLE: (PLASTIC HOOD & ACCESSORY SCREW)	 瀚荃股份有限公司 CviLux Corporation		
6	Karen	12/1-08'	ECN08596/ECR08096-0	DRAWN BY:	Sandy	12/25-14'	TOLERANCE UNLESS OTHERWISE SPECIFIED			
5	Karen	8/26/08'	ECN08414	ENGINEER:	Sun	12/30-14'	X. ± 0.30/012 X' ± 1"	SCALE 1 / 2 SHEET 3 OF 3		
4	Bill	12/07/07'	ECN07499/ECR07132-0	CHECKED BY:	Eisley	12/30-14'	.X ± 0.30/012 .X' ±			
SYM	NAME	DATE	REVISIONS	APPROVED BY:	Eisley	12/30-14'	.XX ± 0.20/008 .XX' ±			

CVILUX CORP
 2015.01.16
 ISSUED