

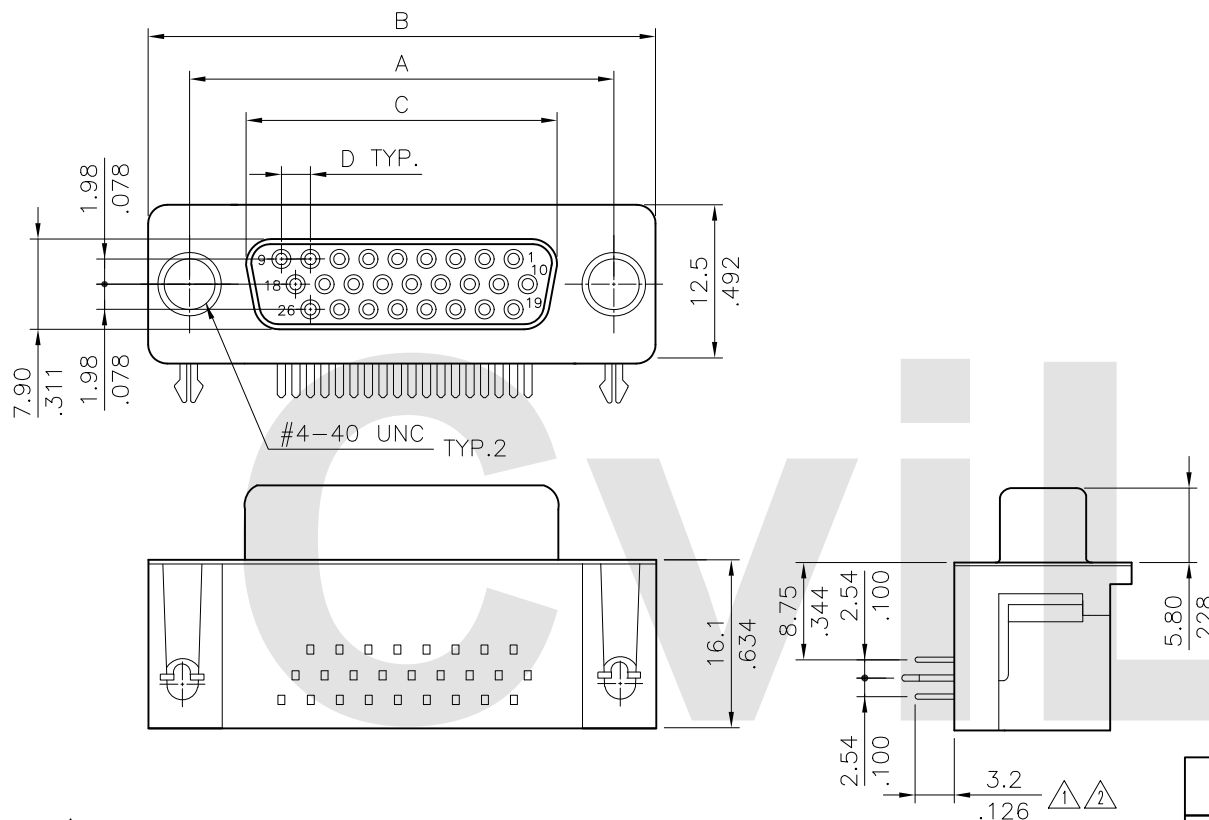
Materials:

- * Insulator: Glass filled polyester UL 94V-0
 - * Contacts: Copper alloy
 - * Shell: Steel, Tin plated as standard
- Recommended P.C. Board Layout see drawing No. CD0505S*

Ordering Code

CD05 26 S 2 1 F0
 ① ② ③ ④ ⑤ ⑥

- ① Series No.
- ② No. of Circuits
- ③ Contact type: S= Receptacle(Female)
- ④ Plating option:
 2= Gold flash plated over Nickel
 A= Selective Gold flash plated over Nickel
 B= Selective 0.38μm(15μ") Gold plated over 1.27μm(50μ") Nickel
 C= Selective 0.76um(30μ") Gold plated over 1.27μm(50μ") Nickel
- ⑤ Color: 1= Black; 0= White; 7= Blue
- ⑥ Other Option:
 F0= Riveted ground hooks with #4-40 UNC open (Standard)
 G0= Riveted ground hooks pre-loaded #4-40 UNC Hex screw
 I0= Riveted ground tabs thread #4-40 UNC open and ground tabs with ø3.2mm holes
 J0= Assembly ground hooks by #4-40 UNC Hex screw



Circuits	Dimension			
	A	B	C	D
15	25.00(.984)	30.8(1.213)	16.30(.642)	2.29(.090)
26	33.32(1.312)	39.2(1.543)	24.60(.969)	2.29(.090)
44	47.04(1.852)	53.1(2.091)	38.30(1.508)	2.29(.090)

Mounting Style				Lead Free Process	RoHS Compliant		
Code	F0	Code	G0	Code	I0	Code	J0
			DIM. L= 4.8mm		ø A= 3.2mm		DIM. L= 4.8mm

CVILUX CORP
2015.12.03
ISSUED

④				DATE	UNIT: mm / inch	TITLE: HIGH-DENSITY D-SUB PCB MOUNT FEMALE CONNECTOR	瀚荃股份有限公司 CviLux Corporation
③	Karen	11/20-15'	ECNT115246/ECRT115101	DRAWN BY: Karen 11/23-15'	TOLERANCE UNLESS OTHERWISE SPECIFIED	MATERIAL:	
②	Jim	9/28/06'	ECR06088-0/ECN06354	ENGINEER: Sun 11/23-15'	.X ± 0.30/.012 X' ± 1"	FINISH:	DRAWING NO. CD0503SI PART NO. CD05**S*1**
①	Jim	8/23/06'	ECR06066-0/ECN06264	CHECKED BY: Eisley 11/26-15'	.XX ± 0.20/.010 .X' ±		SCALE 2 / 1 SHEET 1 OF 1
SYM	NAME	DATE	REVISIONS	APPROVED BY: Eisley 11/26-15'	.XXX ± 0.10/.004 .XX' ±		