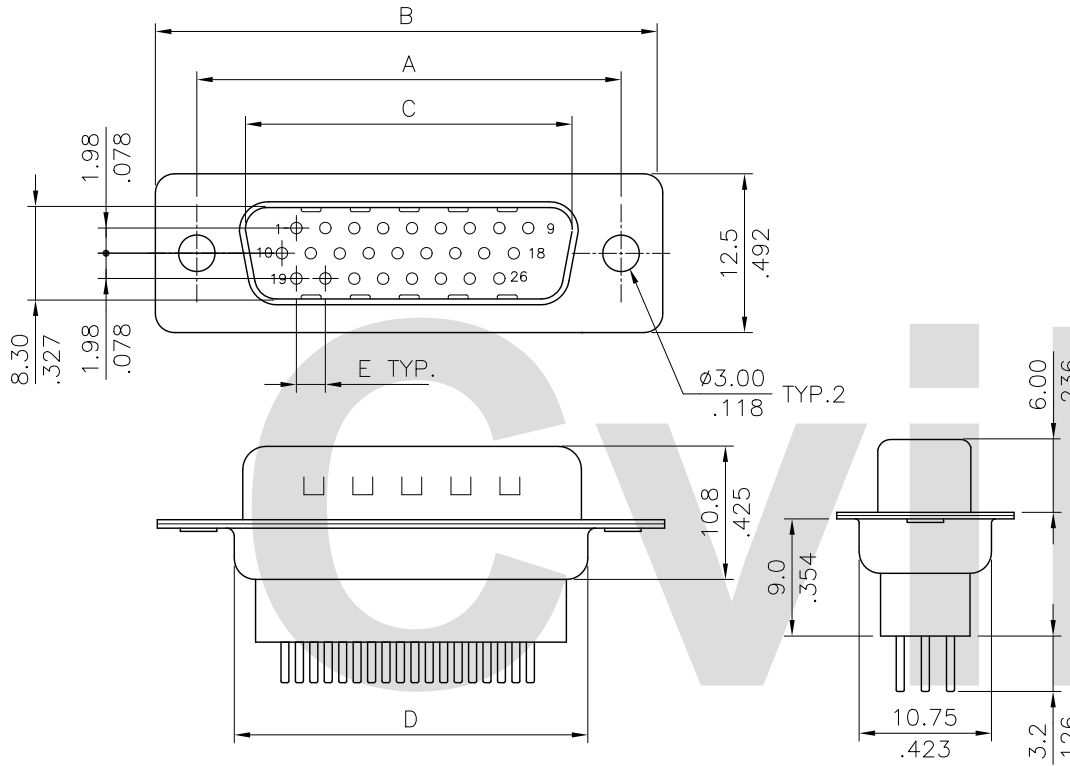


Materials:

- * Insulator: Glass filled polyester UL 94V-0
- * Contacts: Copper alloy
- * Shell: Steel, Tin plated as standard

Recommended P.C. Board Layout see drawing No. CD0304S*



Circuits	Dimension				
	A	B	C	D	E
15	25.00(.984)	30.8(1.213)	16.92(.666)	19.2(.756)	2.29(.090)
26	33.32(1.312)	39.2(1.543)	25.25(.994)	27.70(1.091)	2.29(.090)
44	47.04(1.852)	53.1(2.091)	38.96(1.534)	41.10(1.618)	2.29(.090)
62	63.50(2.500)	69.4(2.732)	55.42(2.182)	57.30(2.256)	2.41(.095)

Ordering Code :

CD04 26 P 2 1 00
 ① ② ③ ④ ⑤ ⑥

- ① Series No.
- ② No. of Circuits
- ③ Contact type:P= Plug(Male)
- △④ Plating option:
2= Gold flash plated over Nickel
- ⑤ Color: 1= Black
- ⑥ Other Option:
△ 00= With $\phi 3.00$ mm holes on shell(Standard)
B0= Riveted #4-40 UNC open nuts on front shell
C0= Riveted #4-40 UNC open nuts on rear shell
D*= Riveted #4-40 UNC close ground stand-off on rear shell

Lead Free Process

RoHS Compliant

Mounting Style

Code	00	Code	B0	Code	C0	Code	D*
			DIM. L= 4.0mm 		DIM. L= 4.0mm 		

④					DATE	UNIT: mm / inch	TOLERANCE UNLESS OTHERWISE SPECIFIED
③					DRAWN BY: Sandy	3/26-10'	
②	Sandy	3/25-10'	ECN10079		ENGINEER: Eisley	4/12-10'	
①	Jim	8/31/06	ECR06076-0/ECN06308		CHECKED BY: David	4/12-10'	
SYM	NAME	DATE	REVISIONS		APPROVED BY: David	4/12-10'	

CVILUX CORP
 2010.04.27
 ISSUED

TITLE: HIGH-DENSITY D-SUB TOP ENTRY
 HIGH PROFILE BOARD MOUNT
 MALE CONNECTOR
 MATERIAL:
 FINISH:



瀚荃股份有限公司
 CviLux Corporation

DRAWING NO.	CD0404SE	PART NO.	CD04**P21**
SCALE	2 / 1	SHEET	1 OF 1