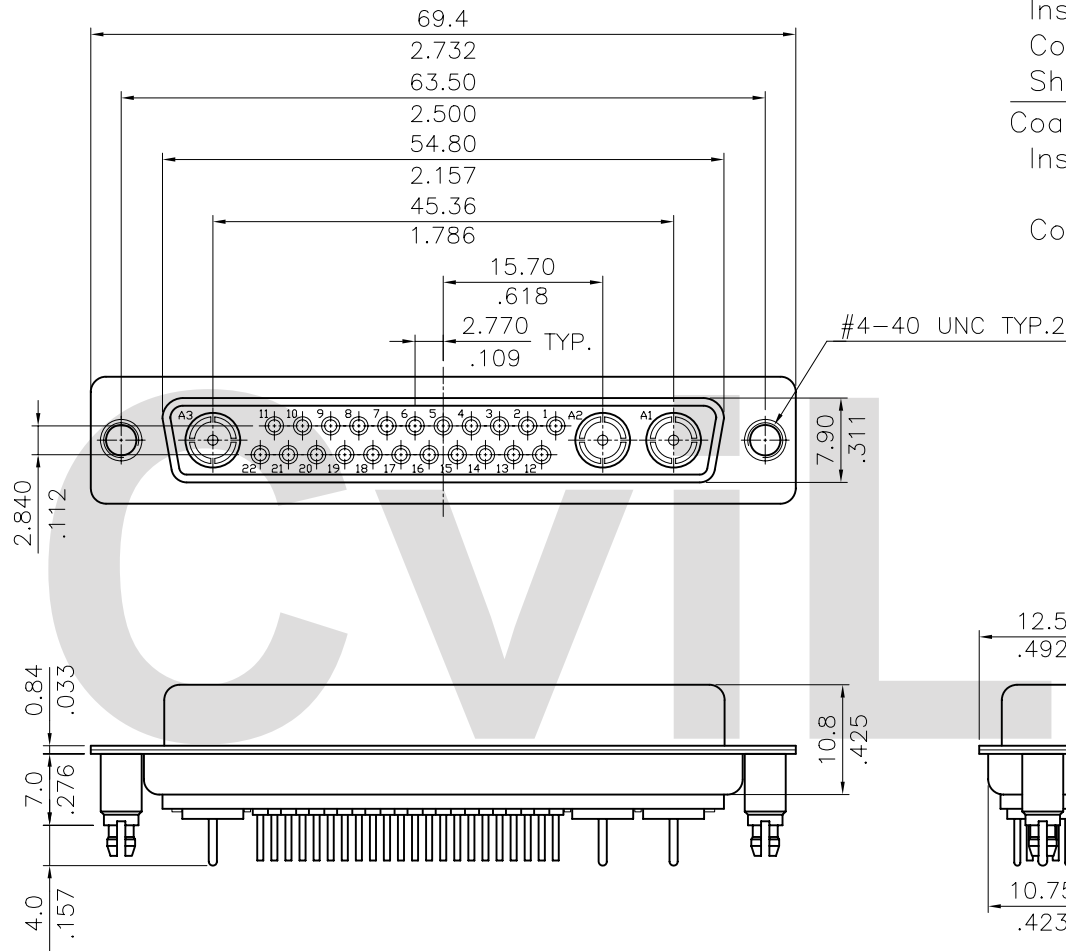




Material:

Insulator: Glass filled Polyester UL 94V-0
 Contact: Copper alloy
 Shell: Steel, Tin plated as standard

Coaxial terminal
 Insulator: Teflon UL 94V-0
 Color white
 Contact: Brass



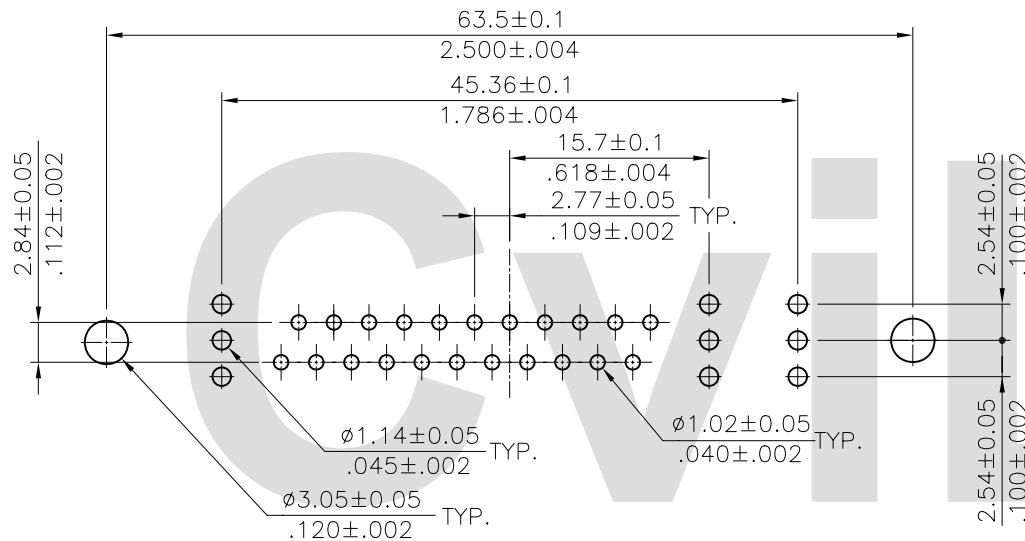
RoHS Compliant

4					DATE	UNIT: mm / inch	TITLE: 25W3 COAXIAL FEMALE D-SUB CONNECTOR (TOP ENTRY BOARD MOUNT TYPE)	 瀚荃股份有限公司 CviLux Corporation
3				DRAWN BY: Rita	10/18-01'	TOLERANCE UNLESS OTHERWISE SPECIFIED	MATERIAL:	
2				ENGINEER: David	10/18-01'	.X ± 0.30/012 X' ± 1'	FINISH:	DRAWING NO. 25W304SB PART NO. 25W3SCV*****00
1				CHECKED BY: David	10/18-01'	.XX ± 0.20/008 .X' ±		SCALE 2 / 1 SHEET 1 OF 2
SYM	NAME	DATE	REVISIONS	APPROVED BY: Alex	10/18-01'	.XXX ± 0.10/004 .XX' ±		

Ordering Code

25W3 S C V 3 2 1 75 D00
 ① ② ③ ④ ⑤ ⑥ ⑦ ⑧ ⑨

- ① Series No.
- ② Connector Type: S= Receptacle
- ③ Contact type: C= Coaxial Contact
- ④ Contact tail style: V= Straight Dip type
- ⑤ Coaxial contact plating:
 2= Gold flash plated over Nickel
 3= 15 μ " Gold plated over Nickel
 4= 30 μ " Gold plated over Nickel
 5= 50 μ " Gold plated over Nickel
- ⑥ Signal contact plating:
 2= Gold flash plated over Nickel
 3= 15 μ " Gold plated over Nickel
 4= 30 μ " Gold plated over Nickel
- ⑦ Insulator color: 1= Black, 6= Green
- ⑧ Performance: 50= 50 Ω , 75= 75 Ω
- ⑨ Mounting Style:
 000= With ϕ 3.05mm holes on shell
 B00= Riveted #4-40 UNC open nuts on front shell
 C00= Riveted #4-40 UNC open nuts on rear shell
 D00= Riveted #4-40 UNC ground stand-off on rear shell(standard)



Recommended P.C Board Layout

Mounting Style

RoHS Compliant

Code	000	Code	B00	Code	C00	Code	D00
			DIM. L= 4.0mm		DIM. L= 4.0mm		DIM. L= 7.0mm

4					DATE	UNIT: mm / inch	TITLE: 25W3 COAXIAL FEMALE D-SUB CONNECTOR (TOP ENTRY BOARD MOUNT TYPE)	瀚荃股份有限公司 CviLux Corporation
3				DRAWN BY: Rita	10/18-01'	TOLERANCE UNLESS OTHERWISE SPECIFIED	MATERIAL:	
2				ENGINEER: David	10/18-01'	.X ± 0.30/012 X' ± 1'	FINISH:	
1				CHECKED BY: David	10/18-01'	.XX ± 0.20/008 .X' ±		
SYM	NAME	DATE	REVISIONS	APPROVED BY: Alex	10/18-01'	.XXX ± 0.10/004 .XX' ±		



DRAWING NO.	25W304SB	PART NO.	25W3SCV*****00
SCALE	2 / 1	SHEET	2 OF 2