

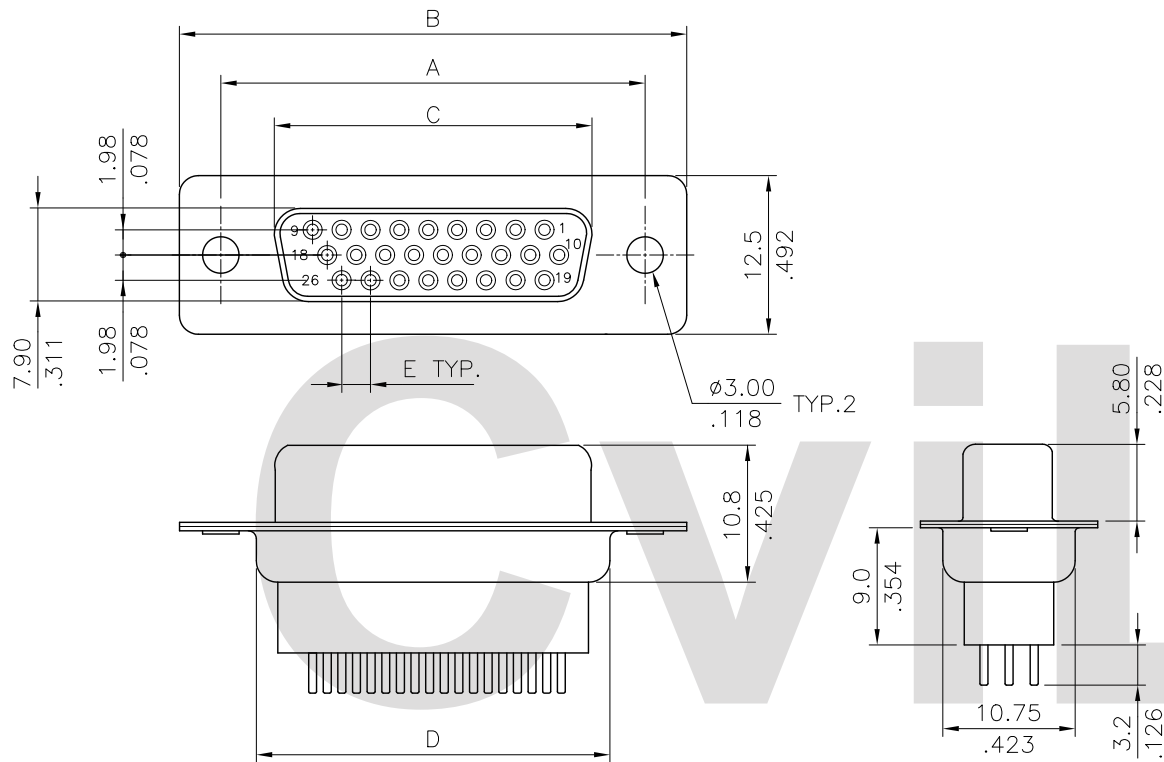
Materials:

* Insulator: Glass filled polyester UL 94V-0

* Contacts: Copper alloy

* Shell: Steel, Tin plated as standard

Recommended P.C. Board Layout see drawing No. CD0303S*



Ordering Code :

CD04 26 S 2 1 00
 ① ② ③ ④ ⑤ ⑥

- ① Series No.
- ② No. of Circuits
- ③ Contact type: S= Receptacle(Female)
- ④ Plating option:
 2= Gold flash plated over Nickel
 A= Selective Gold flash plated over Nickel
 B= Selective $0.38\mu\text{m}(15\mu\text{'})$ Gold plated over $1.27\mu\text{m}(50\mu\text{'})$ Nickel
 C= Selective $0.76\mu\text{m}(30\mu\text{'})$ Gold plated over $1.27\mu\text{m}(50\mu\text{'})$ Nickel
- ⑤ Color: 1= Black
- ⑥ Other Option:
 Δ 00= With $\phi 3.00\text{mm}$ holes on shell(Standard)
 B0= Riveted #4-40 UNC open nuts on front shell
 C0= Riveted #4-40 UNC open nuts on rear shell
 D*= Riveted #4-40 UNC close ground stand-off on rear shell

Circuits	Dimension				
	A	B	C	D	E
15	25.00(.984)	30.8(1.213)	16.30(.642)	19.20(.756)	2.29(.090)
26	33.32(1.312)	39.2(1.543)	24.60(.969)	27.70(1.091)	2.29(.090)
44	47.04(1.852)	53.1(2.091)	38.30(1.508)	41.10(1.618)	2.29(.090)
62	63.50(2.500)	69.4(2.732)	54.80(2.157)	57.30(2.256)	2.41(.095)

Mounting Style

Code	00	Code	B0	Code	C0	Code	D*
		DIM. L= 4.0mm 		DIM. L= 4.0mm 			

Lead Free Process

RoHS Compliant

④						DATE	UNIT: mm / inch	TITLE: HIGH-DENSITY D-SUB TOP ENTRY HIGH PROFILE BOARD MOUNT FEMALE CONNECTOR MATERIAL: FINISH:	瀚荃股份有限公司 CviLux Corporation
③			DRAWN BY: Sandy		3/26-10'	TOLERANCE UNLESS OTHERWISE SPECIFIED	.X ± 0.30/.012 X' ± 1'		
②			ENGINEER: Eisley		4/12-10'	.XX ± 0.20/.010 .X' ±			
①	Sandy	3/25-10'	ECN10079		CHECKED BY: David	4/12-10'	.XXX ± 0.10/.004 .XX' ±		
SYM	NAME	DATE	REVISIONS	APPROVED BY: David	4/12-10'			DRAWING NO. CD0403SD	PART NO. CD04**S*1**
								SCALE 2 / 1	SHEET 1 OF 1