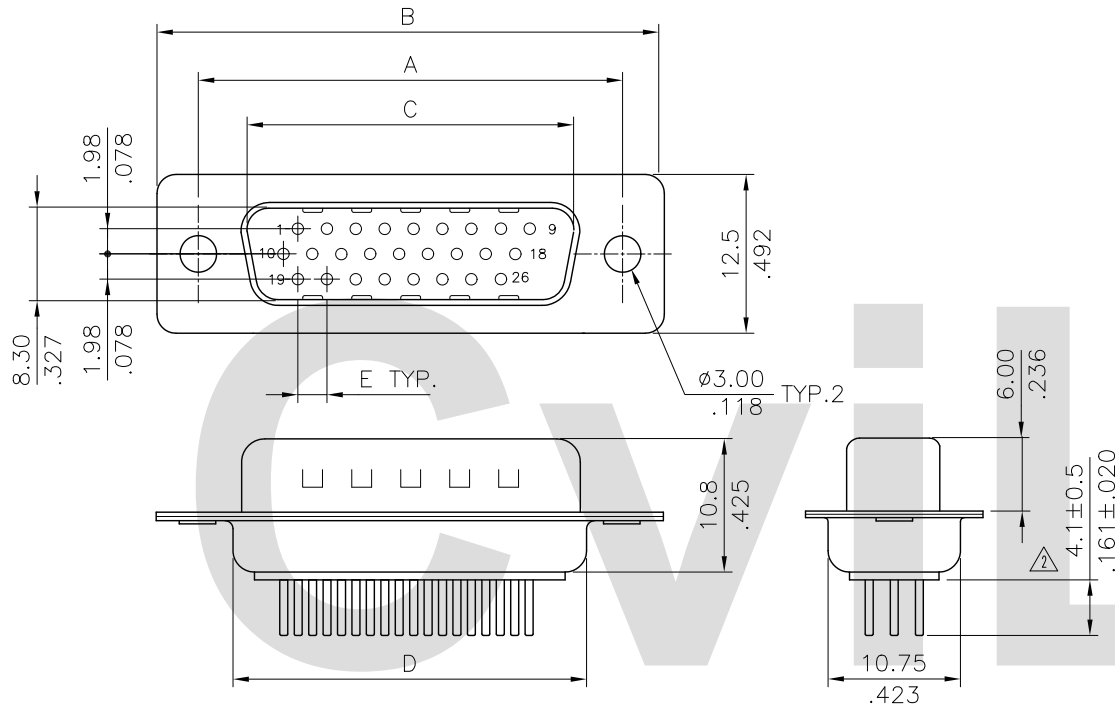


Materials:

- * Insulator: Glass filled polyester UL 94V-0
- * Contacts: Copper alloy
- * Shell: Steel, Tin plated as standard

Recommended P.C. Board Layout see drawing No. CD0304S*



Ordering Code :

CD03 26 P A 1 00
 ① ② ③ ④ ⑤ ⑥

- ① Series No.
- ② No. of Circuits
- ③ Contact type: P= Plug(Male)
- ④ Plating code:
 - 2= Gold flash plated over Nickel
 - A= Selective Gold flash plated over Nickel
 - B= Selective 0.38μm(15μ") Gold plated over 1.27μm(50μ") Nickel
 - C= Selective 0.76μm(30μ") Gold plated over 1.27μm(50μ") Nickel
- ⑤ Color: 1= Black
- ⑥ Mounting style:
 - △ 00= With ø3.00mm holes on shell(Standard)
 - B0= Riveted #4-40 UNC open nuts on front shell
 - C0= Riveted #4-40 UNC open nuts on rear shell
 - △ D0= Riveted #4-40 UNC ground stand-off on rear shell

Circuits	Dimension				
	A	B	C	D	E
15	25.00(.984)	30.8(1.213)	16.92(.666)	19.20(.756)	2.29(.090)
26	33.32(1.312)	39.2(1.543)	25.25(.994)	27.70(1.091)	2.29(.090)
44	47.04(1.852)	53.1(2.091)	38.96(1.534)	41.10(1.618)	2.29(.090)
62	63.50(2.500)	69.4(2.732)	55.42(2.182)	57.30(2.256)	2.41(.095)

Mounting Style				Lead Free Process	RoHS Compliant		
Code	00	Code	B0	Code	C0	Code	D0
			DIM. L= 4.0mm		DIM. L= 4.0mm		DIM. L= 6.0mm

④					DATE	UNIT: mm / inch	TITLE: HIGH-DENSITY D-SUB TOP ENTRY BOARD MOUNT MALE CONNECTOR	瀚荃股份有限公司 CviLux Corporation
③	Sandy	3/25-10'	ECN10079	DRAWN BY: Sandy	3/26-10'	TOLERANCE UNLESS OTHERWISE SPECIFIED	MATERIAL:	
②	Karen	9/18/08'	ECN08458/ECR08074-0	ENGINEER: Eisley	4/12-10'	.X ± 0.30/.012 X' ± 1'	FINISH:	DRAWING NO. CD0302SG PART NO. CD03**P*1**
①	SUN	8/27/03'	ECN03269	CHECKED BY: David	4/12-10'	.XX ± 0.20/.010 .X' ±		SCALE 2 / 1 SHEET 1 OF 1
SYM	NAME	DATE	REVISIONS	APPROVED BY: David	4/12-10'	.XXX ± 0.10/.004 .XX' ±		