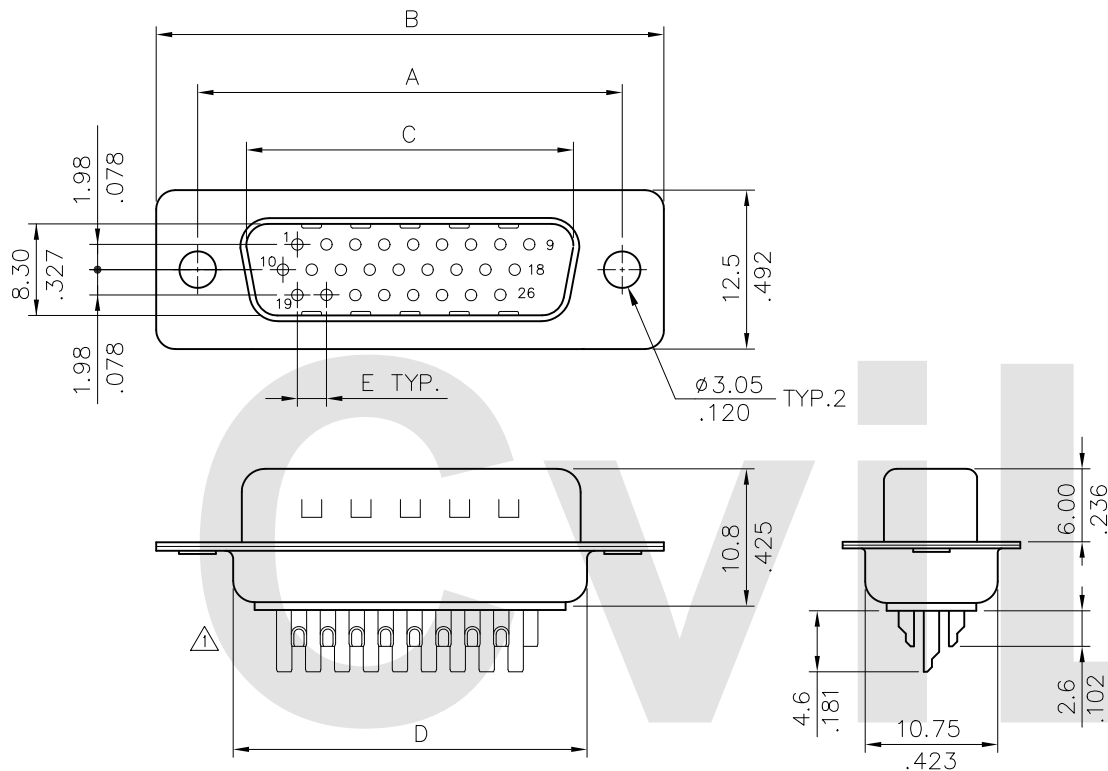


Materials:

- \* Insulator: Glass filled polyester UL 94V-0
- \* Contacts: Copper alloy
- \* Shell: Steel, Tin plated as standard



Ordering Code :

CD01 26 P A 1 00  
 ① ② ③ ④ ⑤ ⑥

- ① Series No.
- ② No. of Circuits
- ③ Contact type: P= Plug(Male)
- ④ Plating code:  
 2= Gold flash plated over Nickel  
 A= Selective Gold flash plated over Nickel  
 B= Selective 0.38μm(15μ") Gold plated over 1.27μm(50μ") Nickel  
 C= Selective 0.76μm(30μ") Gold plated over 1.27μm(50μ") Nickel
- ⑤ Color: 1= Black, 7= Blue, 0= White
- ⑥ Mounting style:  
 00= With ø3.05mm holes on shell(Standard)  
 A0= Riveted #4-40 UNC close nuts on front shell  
 B0= Riveted #4-40 UNC open nuts on front shell  
 C0= Riveted #4-40 UNC open nuts on rear shell

Circuits	Dimension				
	A	B	C	D	E
15	25.00(.984)	30.8(1.213)	16.92(.666)	19.20(.756)	2.29(.090)
26	33.32(1.312)	39.2(1.543)	25.25(.994)	27.70(1.091)	2.29(.090)
44	47.04(1.852)	53.1(2.091)	38.96(1.534)	41.10(1.618)	2.29(.090)
62	63.50(2.500)	69.4(2.732)	55.42(2.182)	57.30(2.256)	2.41(.095)

Mounting Style

RoHS Compliant

Code	00	Code	A0	Code	B0	Code	C0
			DIM. L= 5.8mm		DIM. L= 4.0mm		DIM. L= 4.0mm

④					DATE	UNIT: mm / inch	TITLE: HIGH-DENSITY D-SUB SOLDER CUP MALE CONNECTOR	瀚荃股份有限公司 CviLux Corporation
③					DRAWN BY: Ken 7/19-16'	TOLERANCE UNLESS OTHERWISE SPECIFIED	MATERIAL:	
②					ENGINEER: Sun 7/20-16'	X ± 0.30/.012 X' ± 1"	FINISH:	DRAWING NO. CD0102SG PART NO. CD01**P****
①	Ken	7/19-16'	ECRT116029/ECNT116156	2016.07.21 ISSUED	CHECKED BY: Easley 7/20-16'	XX ± 0.20/.010 .X' ±		SCALE 2 / 1
SYM	NAME	DATE	REVISIONS		APPROVED BY: Easley 7/20-16'	XXX ± 0.10/.004 .XX' ±		