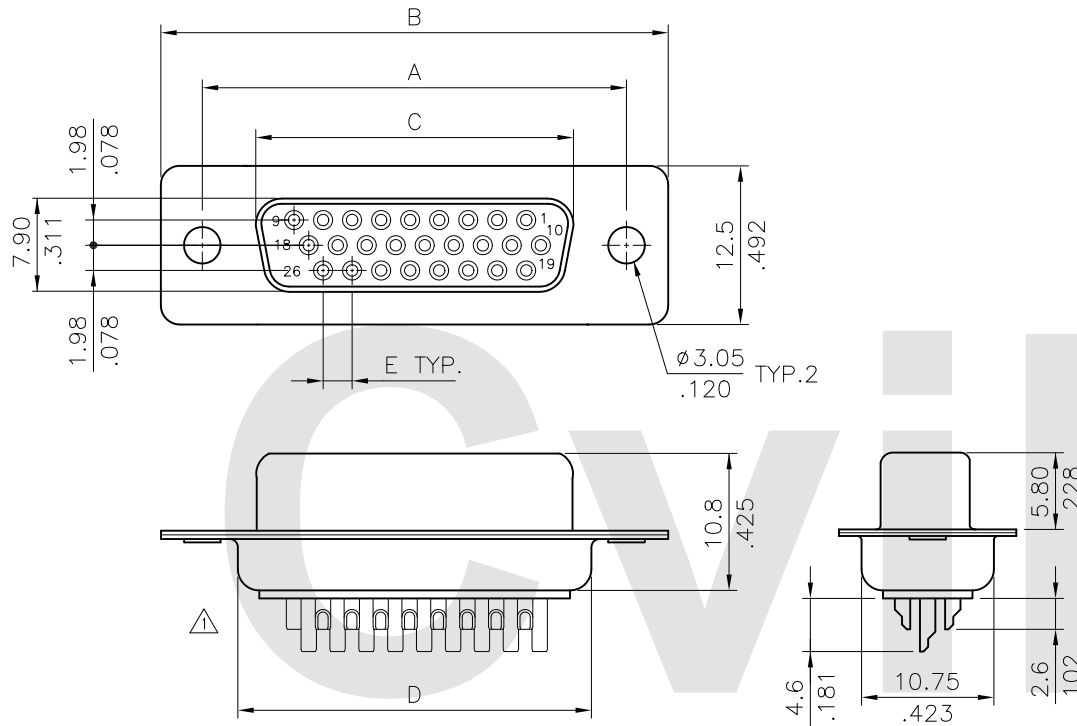


Materials:

- * Insulator: Glass filled polyester UL 94V-0
- * Contacts: Copper alloy
- * Shell: Steel, Tin plated as standard



Circuits	Dimension				
	A	B	C	D	E
15	25.00(.984)	30.8(1.213)	16.30(.642)	19.30(.760)	2.29(.090)
26	33.32(1.312)	39.2(1.543)	24.60(.969)	27.70(1.091)	2.29(.090)
44	47.04(1.852)	53.1(2.091)	38.30(1.508)	41.10(1.618)	2.29(.090)
62	63.50(2.500)	69.4(2.732)	54.80(2.157)	57.30(2.256)	2.41(0.95)

Ordering Code :

CD01 26 S A 1 00
 ① ② ③ ④ ⑤ ⑥

- ① Series No.
- ② No. of Circuits
- ③ Contact type: S= Receptacle(Female)
- ④ Plating code:
 2= Gold flash plated over Nickel
 A= Selective Gold flash plated over Nickel
 B= Selective 0.38 μ m(15 μ "") Gold plated over 1.27 μ m(50 μ "") Nickel
 C= Selective 0.76 μ m(30 μ "") Gold plated over 1.27 μ m(50 μ "") Nickel
- ⑤ Color: 1= Black, 7= Blue, 0= White
- ⑥ Mounting style:
 00= With ϕ 3.05mm holes on shell(Standard)
 A0= Riveted #4-40 UNC close nuts on front shell
 B0= Riveted #4-40 UNC open nuts on front shell
 C0= Riveted #4-40 UNC open nuts on rear shell

Mounting Style

Mounting Style				RoHS Compliant			
Code	00	Code	A0	Code	B0	Code	C0
			DIM. L= 5.8mm		DIM. L= 4.0mm		DIM. L= 4.0mm

④					DATE	UNIT: mm / inch	TITLE: HIGH-DENSITY D-SUB SOLDER CUP FEMALE CONNECTOR	瀚荃股份有限公司 CviLux Corporation			
③					DRAWN BY: Ken	7/19-16'	MATERIAL:				
②					ENGINEER: Sun	7/20-16'	FINISH:	DRAWING NO. CD0101SE	PART NO.	CD01**S****	
①	Ken	7/19-16'	ECRT116029/ECNT116156	2016.07.21 ISSUED	CHECKED BY: Easley	7/20-16'		SCALE	2 / 1	SHEET 1 OF 1	
SYM	NAME	DATE	REVISIONS		APPROVED BY: Easley	7/20-16'					