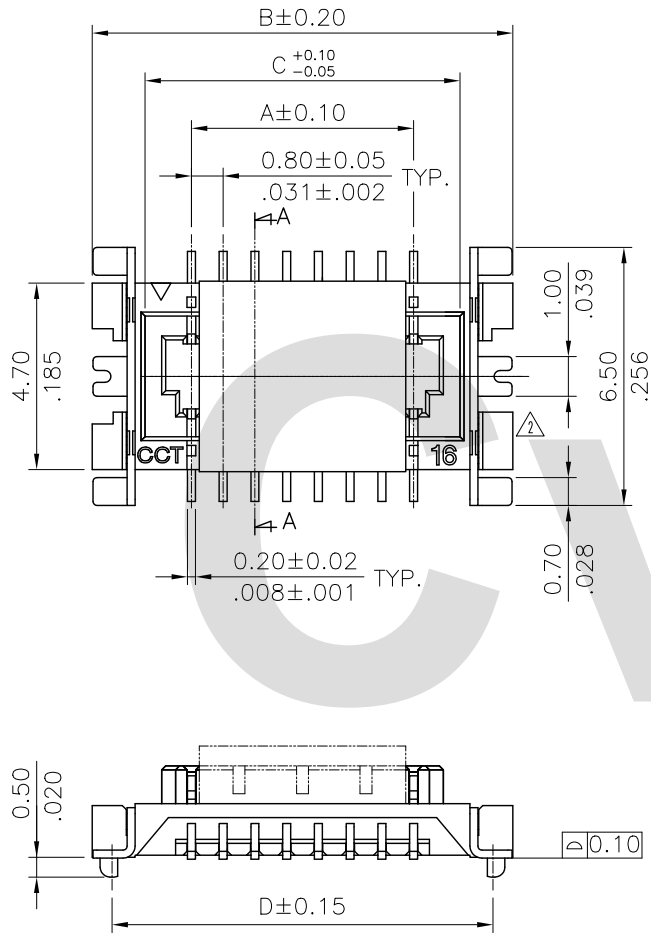


DIM.A = 0.80 \* No. of Spaces  
 DIM.B = DIM.A + 5.0  
 DIM.C = DIM.A + 2.34  
 DIM.D = DIM.A + 4.0

\* Available in 10,12,14,16,20,24,26,  
 30,34,36,40,50,60,80 circuits



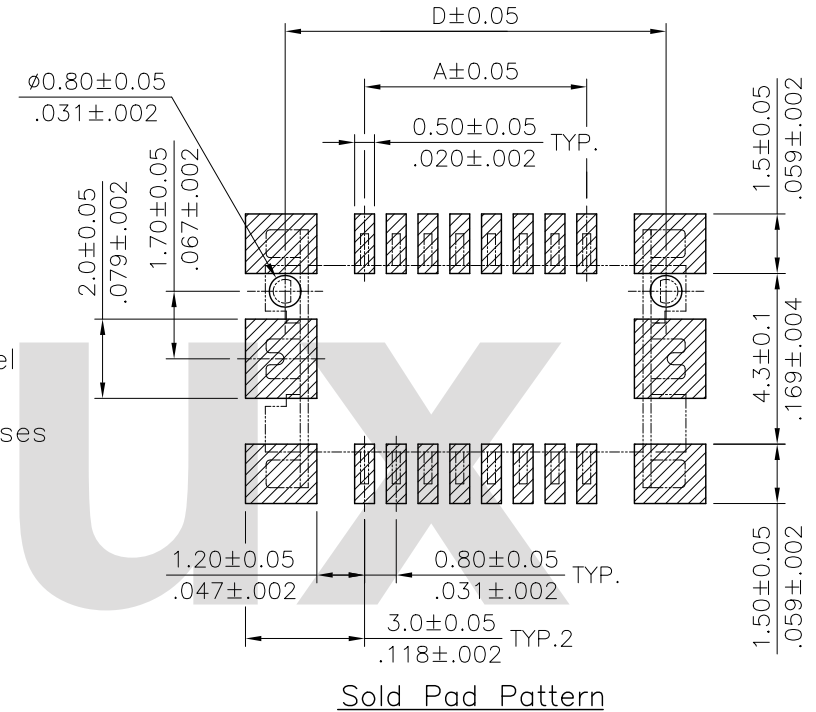
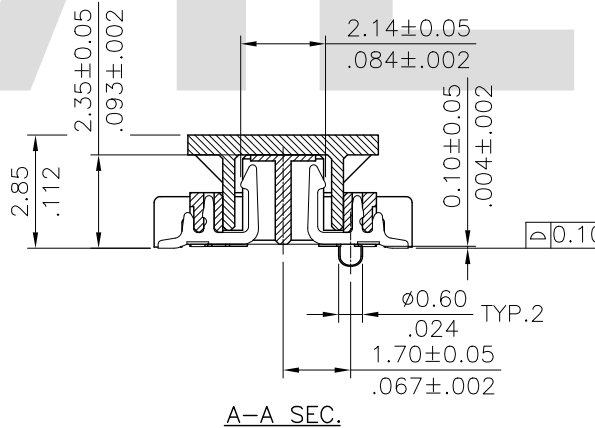
Ordering Code:

CBRD \*\*\* P A 2 \* \*\* R 0 -NH  
 ① ② ③ ④ ⑤ ⑥ ⑦ ⑧ ⑨ ⑩

- ① Series No.
- ② No. of Contact:
- ③ Connector Type: P = Plug
- ④ Height: A = 2.35mm
- ⑤ Plating code:  
 2 = Gold flash plated over  
 1.27μm(50μ") Nickel
- ⑥ Fixed Tab Option:  
 0 = Without Fixed Tabs  
 F = With Fixed Tabs
- ⑦ Pegs Option: 00 = Without Pegs  
 P1 = With Pegs
- ⑧ Packing Option: R = Tape & Reel
- ⑨ Other Option: 0 = Standard
- ⑩ -NH = For Lead Free IR Processes  
 and Halogen-Free

Material:

- \* Insulation:  
 Nylon 6T + 30% G.F. UL94V-0  
 Color Nature
- \* Contact: Phosphor Bronze, t=0.2mm
- \* Fixed tab: Brass, With Gold Flash, t=0.2mm



Sold Pad Pattern

Halogen-Free  
 Lead Free Process  
 RoHS compliant

④						DATE	UNIT: mm / inch	TITLE: 0.80mm(.031") Board To Board Plug Connector (For Mating Height 4.0/5.0/6.0/ 7.0/8.0/9.0/11.0mm)	瀚荃股份有限公司 CviLux Corporation	DRAWING NO.	CBRD01SC	PART NO.	CBRD***PA2***R0-NH	
③			DRAWN BY:		Kevin	2/9-11'	TOLERANCE UNLESS OTHERWISE SPECIFIED			SCALE	5 / 1	SHEET	1 OF 3	
②	Karen	2/08-11'	ECN11030/ECR11006-0		ENGINEER:	Eisley	2/21-11'			.X ± 0.30/.012 X' ± 1'				
①	Kevin	11/10-09'	ECN09538		CHECKED BY:	David	2/21-11'			.XX ± 0.20/.008 .X' ±				
SYM	NAME	DATE	REVISIONS		APPROVED BY:	David	2/21-11'			.XXX ± 0.10/.004 .XX' ±				

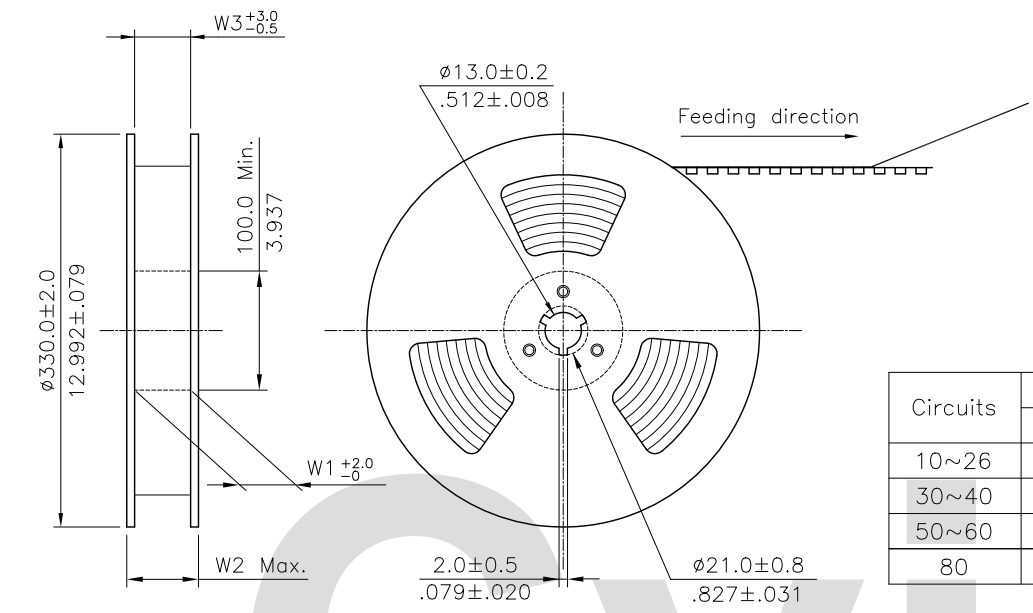
Male	CBRD***PA2***R0-NH 	CBRD***PA2***R0-NH 	CBRD***PA2***R0-NH 	CBRD***PA2***R0-NH 	CBRD***PA2***R0-NH 	CBRD***PA2***R0-NH 	CBRD***PA2***R0-NH 
Female	CBRD***SA2***R0-NH 	CBRD***SB2***R0-NH 	☆ CBRD***SC2***R0-NH 	☆ CBRD***SD2***R0-NH 	CBRD***SE2***R0-NH 	☆ CBRD***SF2***R0-NH 	☆ CBRD***SG2***R0-NH 
Mating Height			☆	☆		☆	☆

⚠ Remark : Please contact CviLux if " ☆ " type is needed.

Halogen-Free    Lead Free Process    RoHS compliant

4					DATE	UNIT: mm / inch	TITLE:	瀚荃股份有限公司 CviLux Corporation
3				DRAWN BY: Kevin	2/9-11'	TOLERANCE UNLESS OTHERWISE SPECIFIED	0.80mm(.031") Board To Board Plug Connector (For Mating Height 4.0/5.0/6.0/ 7.0/8.0/9.0/11.0mm)	
2	Karen	2/08-11'	ECN11030/ECR11006-0	ENGINEER: Eisley	2/21-11'	.X ± 0.30/.012    X' ± 1"	DRAWING NO. CBRD01SC    PART NO. CBRD***PA2***R0-NH	
1	Kevin	11/10-09'	ECN09538	CHECKED BY: David	2/21-11'	.XX ± 0.20/.008    .X' ±	SCALE 4 / 1    SHEET 2 OF 3	
SYM	NAME	DATE	REVISIONS	APPROVED BY: David	2/21-11'	.XXX ± 0.10/.004    .XX' ±		

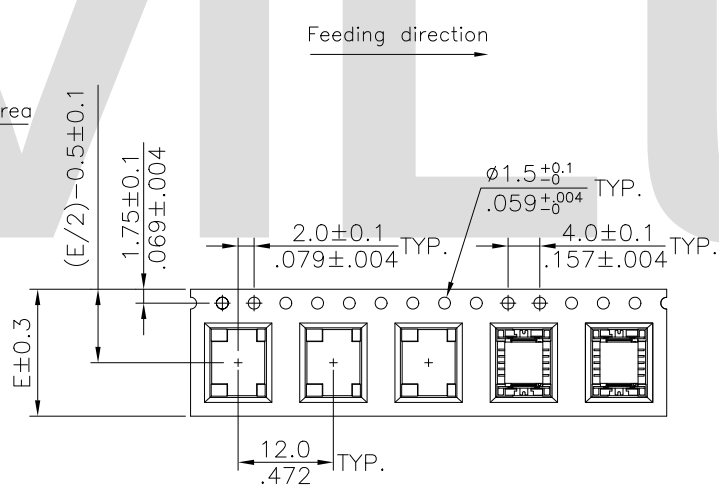
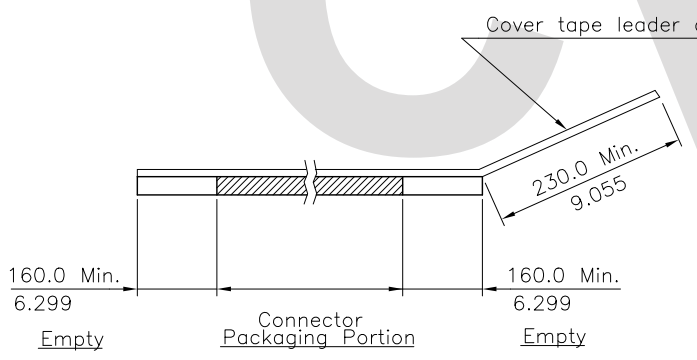




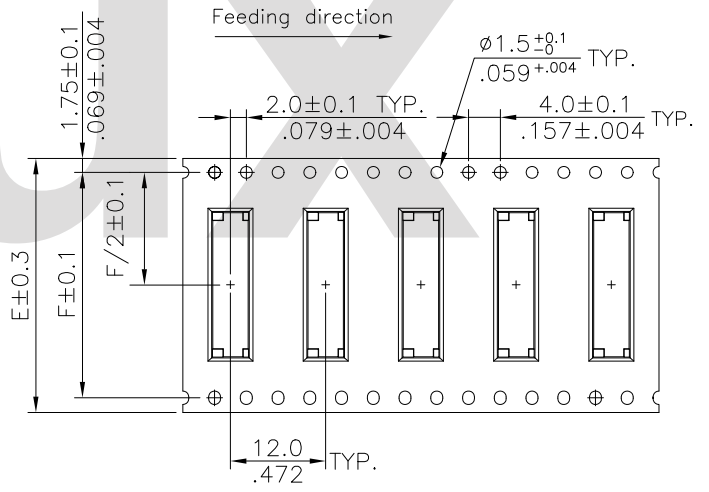
NOTE :

- \* Reel Material : HIPS
- \* Carrier Material : Clear, Conductive Polystyrene Alloy
- \* Cover Tape Material : Polyester
- \* Cover Tape Peel Strength : 0.1N – 1.3N
- \* Carrier camber is within 1mm in 100mm
- \* All dimensions meet EIA-481-2 & EIA-481-3 requirements.
- \* Quantity : 1300 PCS/Reel

Circuits	Dimension					Packing (Reel/Caton)
	E	F	W1	W2	W3	
10~26	24.0(.945)	-	24.5(.965)	30.5(1.200)	24.5(.965)	9
30~40	32.0(1.260)	28.40(1.118)	32.5(1.280)	38.5(1.516)	32.5(1.280)	7
50~60	44.0(1.732)	40.40(1.591)	44.5(1.752)	50.5(1.988)	44.5(1.752)	5
80	56.0(2.205)	52.40(2.063)	56.5(2.224)	62.5(2.460)	56.5(2.224)	4




WIDTH : 24 mm Carrier



WIDTH : 32,44,56 mm Carrier

RoHS Compliant

4					DATE	UNIT: mm / inch	TITLE: 0.80mm(.031") Board To Board Plug Connector (For Mating Height 4.0/5.0/6.0/ 7.0/8.0/9.0/11.0mm)	 瀚荃股份有限公司 CviLux Corporation	DRAWING NO.	CBRD01SC	PART NO.	CBRD***PA2***R0-NH		
3					DRAWN BY: Kevin	TOLERANCE UNLESS OTHERWISE SPECIFIED			SCALE		SHEET	3	OF	3
2	Karen	2/08-11'	ECN11030/ECR11006-0	2011.03.22 ISSUED	ENGINEER: Easley	.X ±			.X' ± 1'					
1	Kevin	11/10-09'	ECN09538		CHECKED BY: David	.XX ±			.X' ±					
SYM	NAME	DATE	REVISIONS		APPROVED BY: David	.XXX ±			.XX' ±					