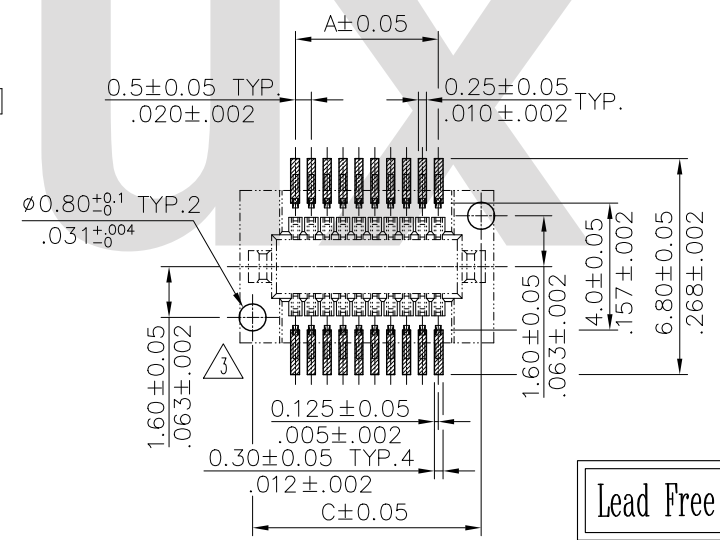
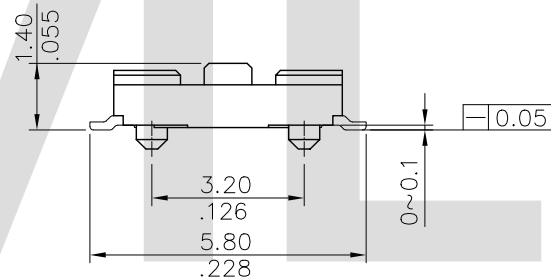
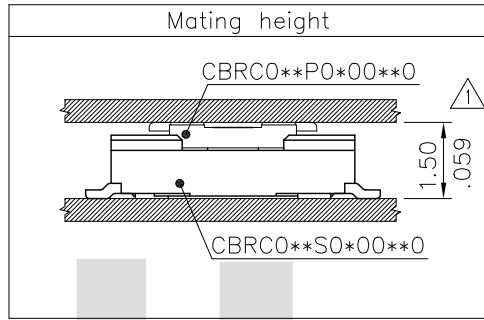


Material:
 * Insulator:
 High temperature Polyamide UL 94V-0
 Color Nature(Beige)
 * Contact: Copper alloy



A = 0.50 * No. of Spaces
 B = A + 3.5
 C = A + 2.7
 D = A + 1.5

△ *(Available : 10,16,20,22)

Circuits not found above please consult manufacturer

Ordering Code

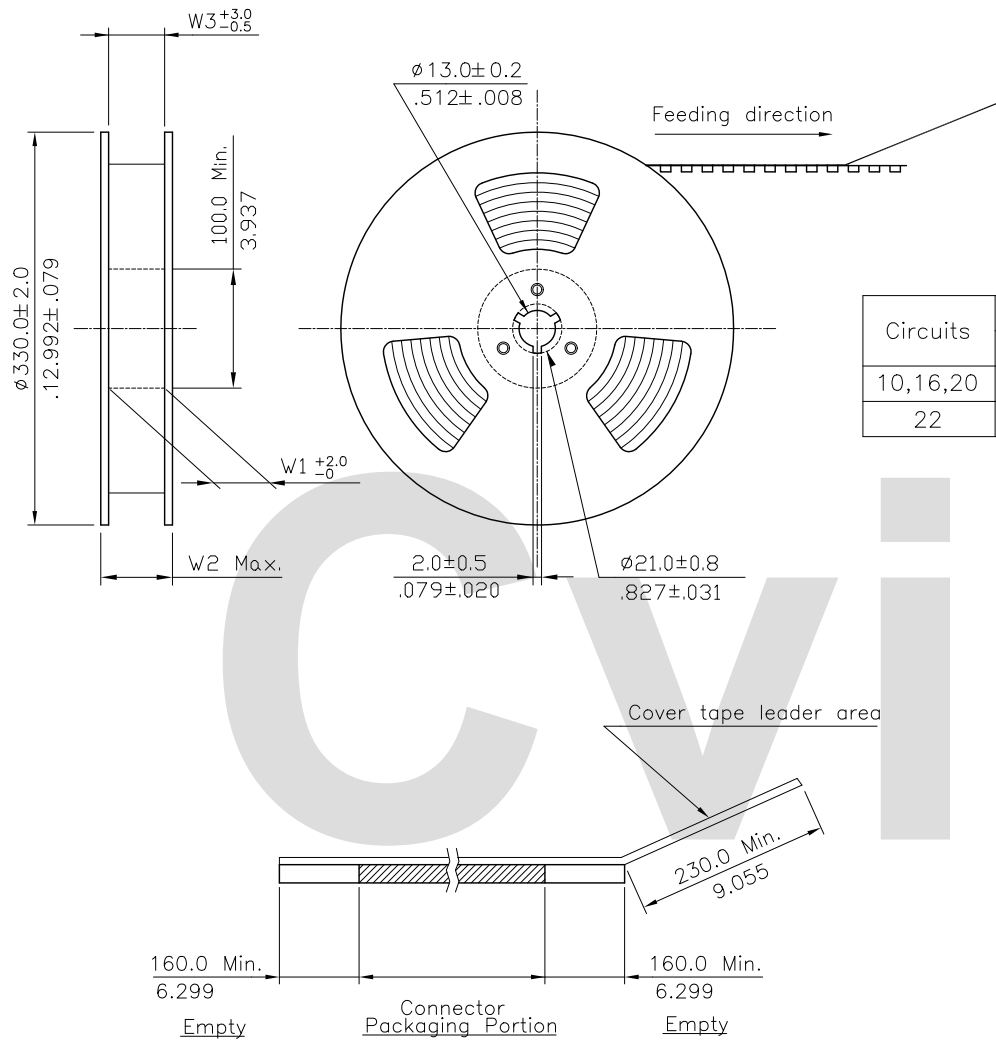
CBRC 0** S0 * 00* * 0
 ① ② ③ ④ ⑤ ⑥ ⑦

- ① Series No.
- ② No. of Circuits
- ③ Connector Type: S0=Receptacle
- ④ Plating code:
 2= 2μ" Gold flash over Nickel plated
 G= 5μ" Gold flash over Nickel plated
- ⑤ Pegs Option:
 000= Without Pegs
 001= With Pegs
- ⑥ Pegs Option:
 R= Tape & Reel , T= Tube Packing
- ⑦ Other option code:
 0= Standard

Lead Free Process
 RoHS Compliant

Recommended P.C. Board Layout

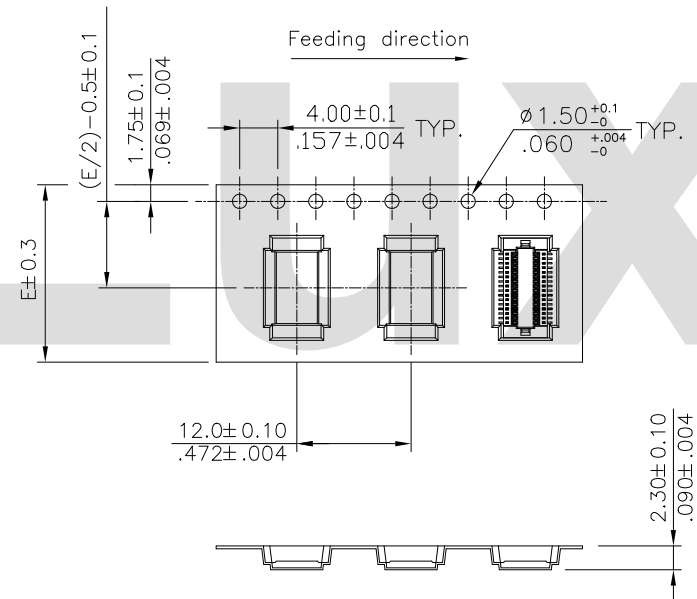
| | | | | | | | | | | | |
|-----|--------|----------|-------------|----------|--------------|-----------------|-----------------|--------------------------------------|-------|---|--------|
| △4 | Steven | 3/1-13' | ECN13055-0 | | | DATE | UNIT: mm / inch | TITLE: | | | |
| △3 | Sandy | 12/25-08 | ECN08620 | | DRAWN BY: | Steven | 4/15-13' | TOLERANCE UNLESS OTHERWISE SPECIFIED | | 0.50mm(.002") Board To Board Receptacle Connector (For Mating height 1.5mm) | |
| △2 | Sandy | 4/22-07 | ECN04418 | | ENGINEER: | Eisley | 4/16-13' | .X ± 0.25/.010 X' ± 1" | | | |
| △1 | Sandy | 11/25-04 | ECN04418 | | CHECKED BY: | Eisley | 4/16-13' | .XX ± 0.13/.005 .X' ± | | FINISH: | |
| SYM | NAME | DATE | REVISIONS | | APPROVED BY: | David | 4/16-13' | .XXX ± 0.08/.003 .XX' ± | | | |
| | | | DRAWING NO. | CBRC02SE | PART NO. | CBRC0**S0*00**0 | SCALE | | 6 / 1 | SHEET | 1 OF 2 |



NOTES:

1. 10 sprocket hole pitch cumulative tolerance ± 0.20 .
2. Carrier camber is within 1 mm in 250 mm.
3. Material : Clear,Transparent Polystyrene Alloy (UP-6000).
4. All dimensions meet EIA-481-B requirements.
5. Thickness : 0.30 ± 0.05 mm.
6. Packing length per 22" reel : 75 Meters.
7. Component load per 13" reel : 2000 pcs.

| Circuits | Dimension | | | | | Packing (Reel/Caton) |
|----------|------------|---|------------|-------------|------------|----------------------|
| | E | F | W1 | W2 | W3 | |
| 10,16,20 | 16.0(.630) | - | 16.5(.650) | 22.5(.886) | 16.5(.650) | 11 |
| 22 | 24.0(.945) | - | 24.5(.965) | 30.5(1.200) | 24.5(.965) | 9 |



WIDTH : 16,24 mm Carrier

RoHS Compliant

| SYM | NAME | DATE | REVISIONS | APPROVED BY: | DATE | UNIT: mm / inch | TITLE: | 瀚荃股份有限公司 CviLux Corporation | | | | |
|-----|--------|----------|------------|--------------|--------|-----------------|---|--------------------------------|----------|----------|-----------------|--------|
| 4 | Steven | 3/1-13' | ECN13055-0 | | | | 0.50mm(.002") Board To Board Receptacle Connector (For Mating height 1.5mm) | DRAWING NO. | CBRC02SE | PART NO. | CBRC0**S0*00**0 | |
| 3 | Sandy | 12/25-08 | ECN08620 | DRAWN BY: | Steven | 4/15-13' | | FINISH: | SCALE | | SHEET | 2 OF 2 |
| 2 | Sandy | 4/22-07 | ECN04418 | ENGINEER: | Eisley | 4/16-13' | | | | | | |
| 1 | Sandy | 11/25-04 | ECN04418 | CHECKED BY: | Eisley | 4/16-13' | | | | | | |
| | | | | APPROVED BY: | David | 4/16-13' | | | | | | |


2013.04.24
ISSUED