

Material:

\* Insulation: Glass filled polyester UL 94V-0

\* Contact: Phosphor Bronze

Ordering Code:

CB87 \*\* A V 1 00  
 ① ② ③ ④ ⑤ ⑥

① Series No.

② NO. of Circuits

△ △ ③ Plating code:

2= Gold flash plated over Nickel

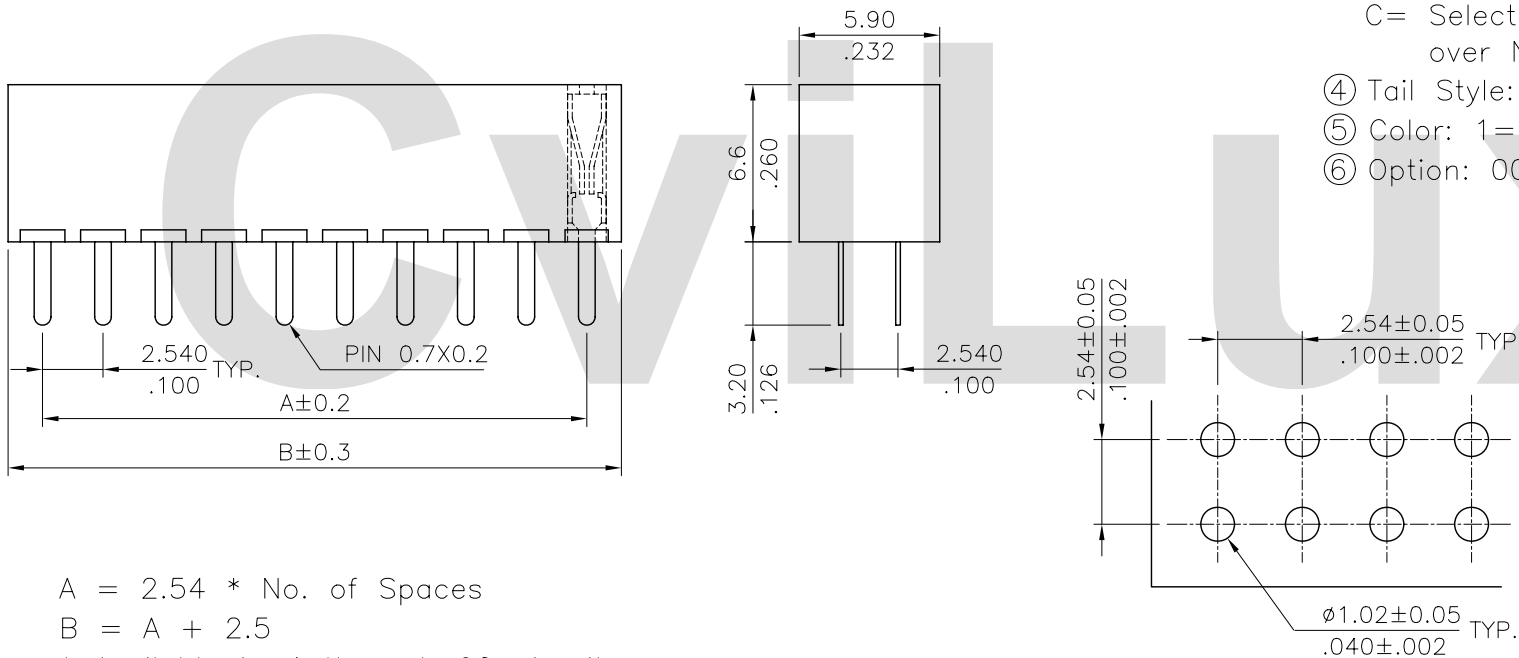
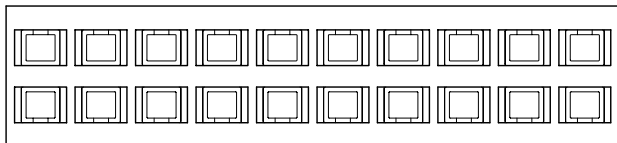
A= Selective Gold flash plated over Nickel  
 B= Selective 0.38μm(15μ") Gold plated over Nickel

C= Selective 0.76μm(30μ") Gold plated over Nickel

④ Tail Style: V= Straight

⑤ Color: 1= Black

⑥ Option: 00= Standard



A = 2.54 \* No. of Spaces


B = A + 2.5

\* Available in 4 through 90 circuits

Recommended P.C. Board Layout

RoHS Compliant



④						DATE	UNIT: mm / inch	TITLE: 2.54MM(.100") DUAL ROW BOARD MOUNT CONNECTOR	 瀚荃股份有限公司 CviLux Corporation
③				DRAWN BY:	Jim	6/20 06'	TOLERANCE UNLESS OTHERWISE SPECIFIED	MATERIAL:	
②	Jim	6/20/06'	ECN06198	ENGINEER:	Eisley	6/20 06'	.X ± 0.30/.012 X: ± 1"	FINISH:	DRAWING NO. CB8701SE PART NO. CB87***V100
①	Sandy	3/28/06'	ECN06104	CHECKED BY:	Eisley	6/20 06'	.XX ± 0.20/.008 X: ±		SCALE 3 / 1 SHEET 1 OF 1
SYM	NAME	DATE	REVISIONS	APPROVED BY:	Alex	6/20 06'	.XXX ± 0.10/.004 .XX: ±		