

Material:

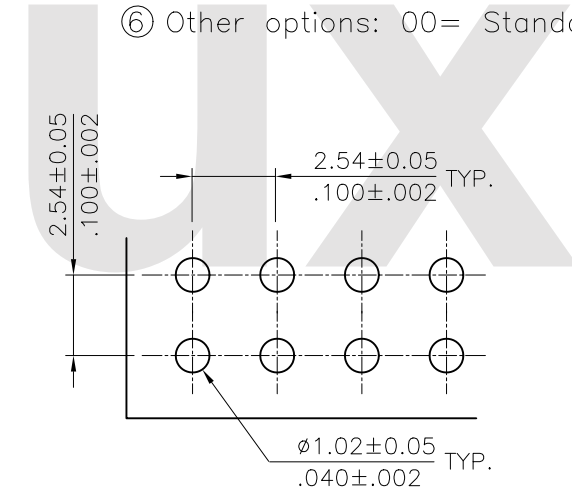
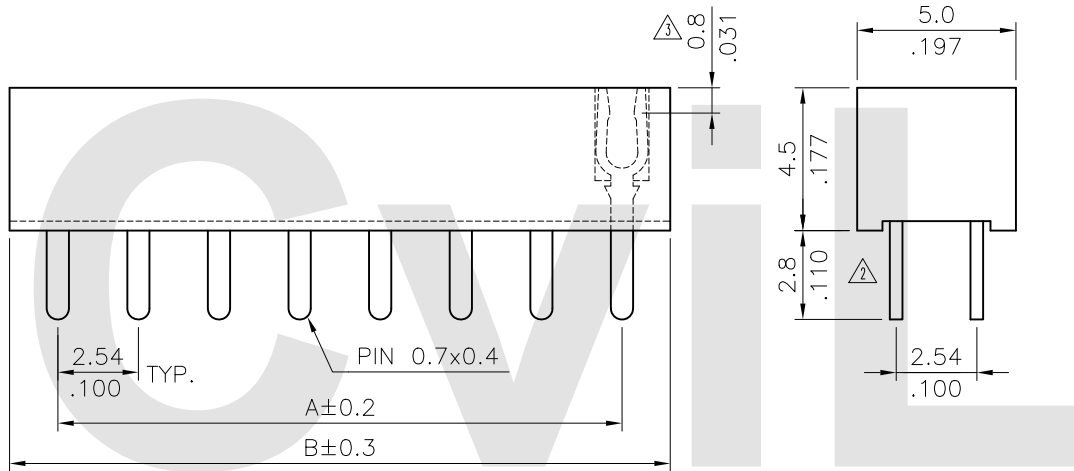
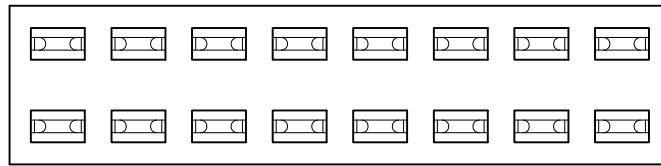
\* Insulation: Glass filled polyester UL 94V-0

\* Contact: Phosphor Bronze

Ordering Code:

CB82 \*\* 2 V 1 00  
 ① ② ③ ④ ⑤ ⑥

- ① Series No.
- ② NO. of Circuits:
- ③ Plating code:  
2= Gold flash plated over  
1.27μm(50μ") Nickel
- ④ Tail Style: V= Straight
- ⑤ Color: 1= Black
- ⑥ Other options: 00= Standard




A = 2.54 \* No. of Spaces  
 △ B = A + 3.04  
 △ \* Available in 4 through 52 circuits

Recommended P.C. Board Layout

RoHS Compliant

CVILUX CORP  
 2015.09.17  
 ISSUED

④						DATE	UNIT: mm / inch	TITLE: 2.54MM(.100") DUAL ROW BOARD MOUNT CONNECTOR	 瀚荃股份有限公司 CviLux Corporation
③	Karen	9/03-15'	ECNT115205/ECRT115072	DRAWN BY:	Karen	9/11-15'	TOLERANCE UNLESS OTHERWISE SPECIFIED	MATERIAL:	
②	Karen	9/10-10'	ECN10306/ECR10118-0	ENGINEER:	Sun	9/11-15'	.X ± 0.30 / .012    .X' ± 1"	FINISH:	
①	SUN	9/10/03'	ECN03289/ECR03022-0	CHECKED BY:	Eisley	9/14-15'	.XX ± 0.20 / .008    .X' ±		
SYM	NAME	DATE	REVISIONS	APPROVED BY:	Eisley	9/14-15'	.XXX ± 0.10 / .004    .XX' ±		DRAWING NO. CB8201SE    PART NO. CB82**2V100 SCALE 4 / 1    SHEET 1 OF 1