

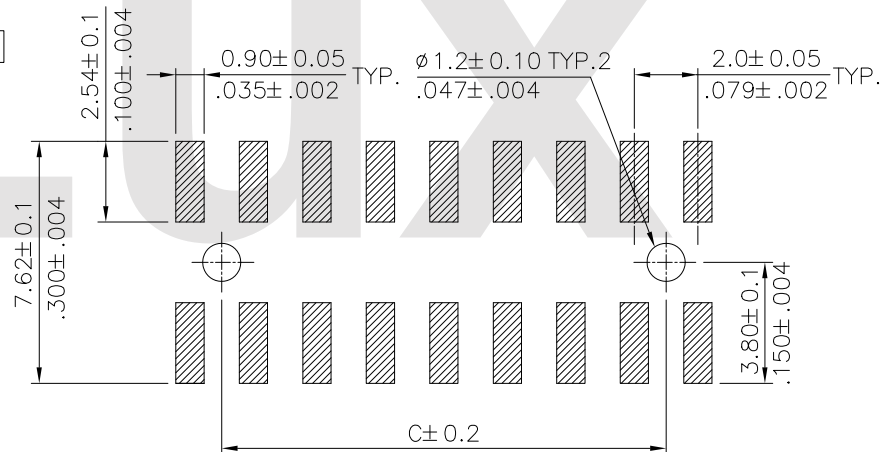
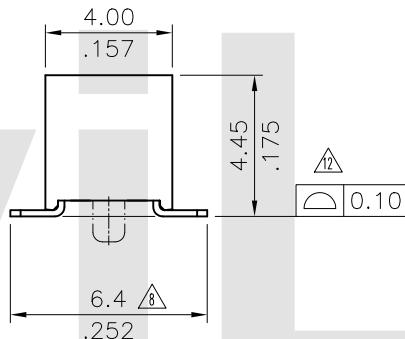
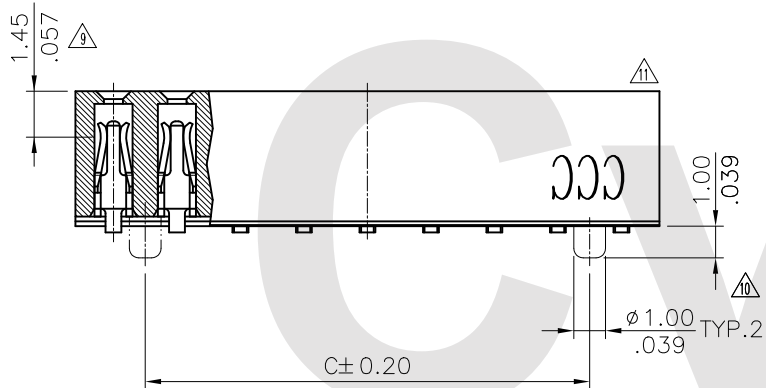
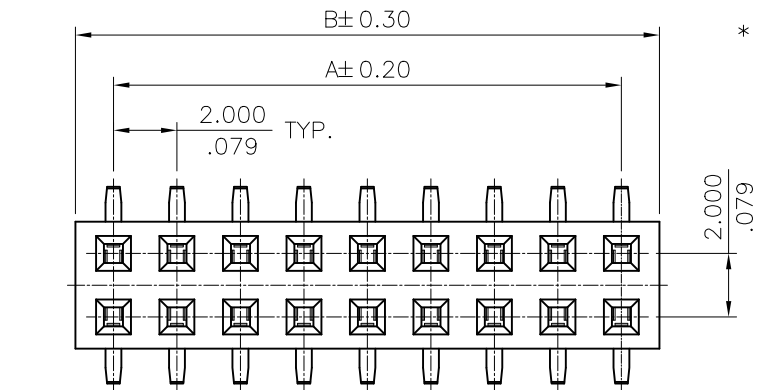
Notes:

- * Insulation: High Temperature Plastic UL 94V-0
- * Contact: Phosphor Bronze
- * For Lead Free Wave Flow Process

Ordering Code:

CB74 ** 2 M 1 0 0
 ① ② ③ ④ ⑤ ⑥ ⑦

- ① Series No.
- ② NO. of Circuits:
- ③ Plating code:
2= Gold flash plated over 50μ" Nickel
- ④ Tail Style: M= SMT Type
- ⑤ Color: 1= Black
- ⑥ Option: 0= With Peg
1= Without Peg
- ⑦ Other Options: 0= Standard



A = 2.00 * No. of Spaces

B = A + 2.4

C = A - 2.0

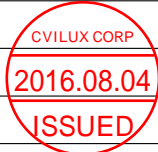
* Available in 4 through 80 circuits

Recommended P.C. Board Layout

Lead Free Process

RoHS Compliant

⑫	Karen	7/19-16'	ECNT116154/ECRT116059		DATE	UNIT: mm / inch	TITLE: 2.00MM(.079") DUAL ROW BOARD MOUNT CONNECTOR
⑪	Sun	3/18-16'	ECRB116016/ECNT116053	DRAWN BY: Karen	8/1-16'	TOLERANCE UNLESS OTHERWISE SPECIFIED	MATERIAL: FINISH:
⑩	Sandy	3/24-15'	ECNT115057	ENGINEER: Sun	8/2-16'	.X ± 0.30 / .012 X' ± 1"	
⑨	Sandy	3/14-07'	ECN07006	CHECKED BY: Eisley	8/3-16'	.XX ± 0.20 / .008 X' ±	
SYM	NAME	DATE	REVISIONS	APPROVED BY: Eisley	8/3-16'	.XXX ± 0.10 / .004 XX' ±	



DRAWING NO.	CB7403SM	PART NO.	CB74**2M1*0
SCALE	4 / 1	SHEET	1 OF 1