

Material:

* Insulation: High Temperature Plastic UL 94V-0

* Contact: Phosphor Bronze

Ordering Code:

CB74 ** 2 V 1 00
 ① ② ③ ④ ⑤ ⑥

① Series No.

② NO. of Circuits:

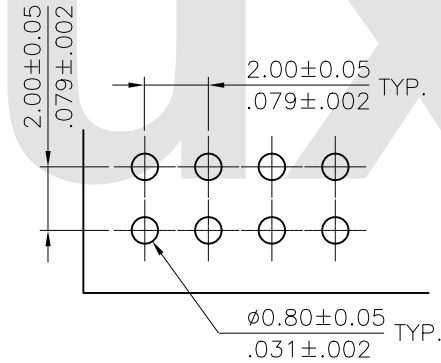
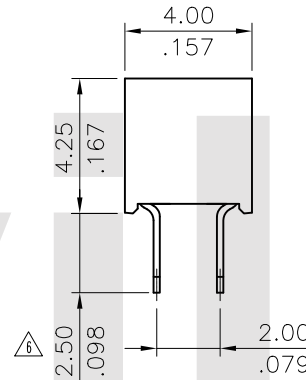
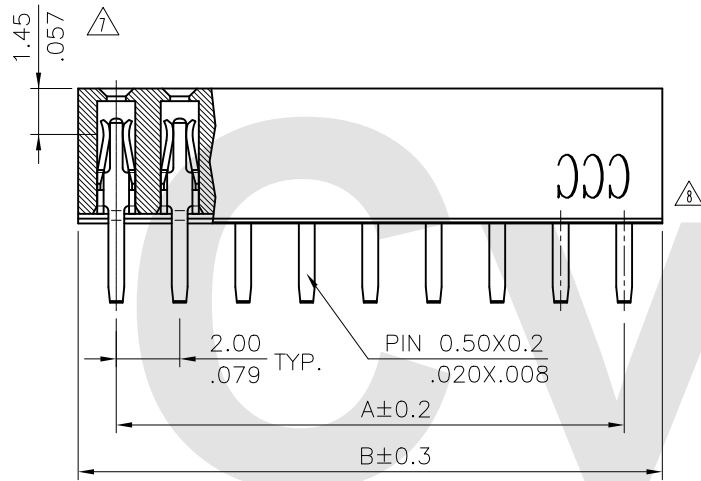
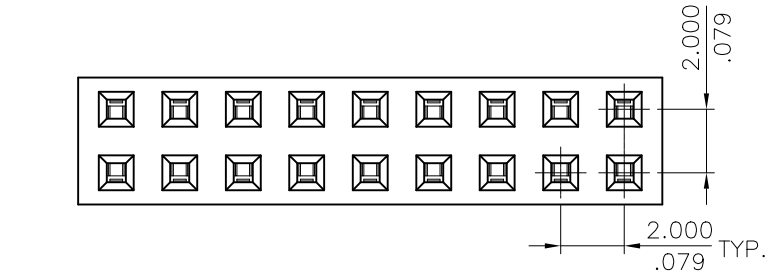
③ Plating code:

2= Gold flash plated over
 1.27μm(50μ") Nickel

④ Tail Style: V= Straight

⑤ Color: 1= Black

⑥ Options: 00= Standard



A = 2.00 * No. of Spaces


B = A + 2.4

* Available in 4 through 80 circuits

Recommended P.C. Board Layout

Lead Free Process

RoHS Compliant

⑧	Sun	3/18-16'	ECRB116016/ECNT116053		DATE	UNIT: mm / inch	TITLE: 2.00MM(.079") DUAL ROW BOARD MOUNT CONNECTOR	 瀚荃股份有限公司 CviLux Corporation	
⑦	Sandy	3/14-07'	ECN07006	DRAWN BY: Sun	3/23-16'	TOLERANCE UNLESS OTHERWISE SPECIFIED	MATERIAL:		
⑥	Sun	2/05-07'	ECN07055	ENGINEER: Sun	3/23-16'	.X ± 0.30 / .012 .X' ± 1"	FINISH:		
⑤	Clark	11/03-06'	ECN06404	CHECKED BY: Eisley	3/25-16'	.XX ± 0.20 / .008 .X' ±			
SYM	NAME	DATE	REVISIONS	APPROVED BY: Eisley	3/25-16'	.XXX ± 0.10 / .004 .XX' ±	DRAWING NO. CB7401SJ		PART NO. CB74**2V100
								SCALE 4 / 1	SHEET 1 OF 1

CVILUX CORP
 2016.03.31
 ISSUED