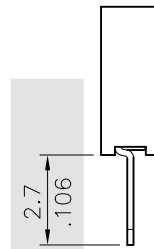
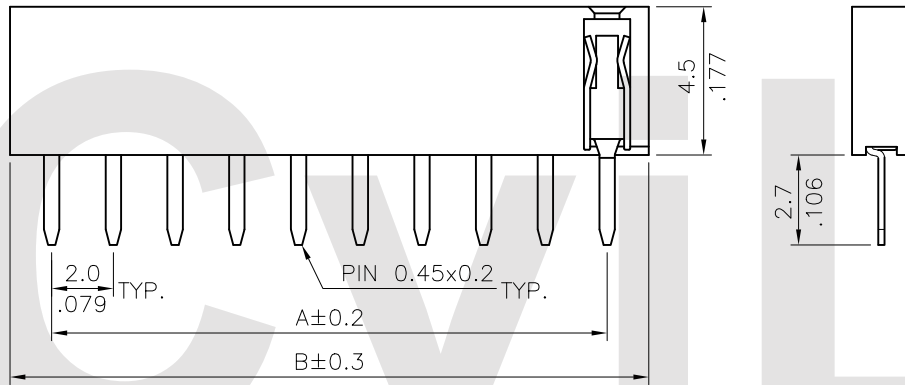
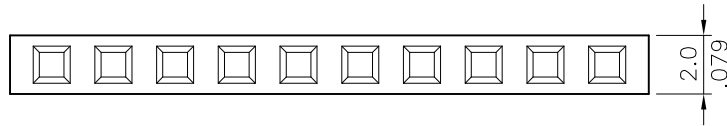


Notes:

- * Insulation: Glass filled polyester UL 94V-0
- * Contact: Brass
- * For Tin-Lead Wave Flow Process

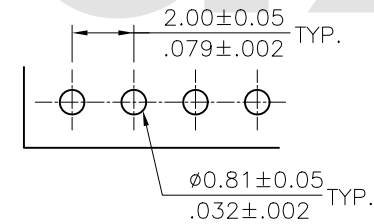


Ordering Code:

CB22 ** 2 V 1 00
 ① ② ③ ④ ⑤ ⑥

- ① Series No.
- ② NO. of Circuits:
- ③ Plating code:
2 = Gold flash plated over 1.27μm(50μ") Nickel
- ④ Tail Style: V = Straight
- ⑤ Color: 1 = Black
- ⑥ Options: 00 = Standard

A = 2.00 * No. of Spaces
 B = A + 2.50
 * Available in 2 through 40 circuits




Recommended P.C. Board Layout

Tin-Lead Process

RoHS Compliant



4						DATE	UNIT: mm / inch	TITLE: 2.00MM(.079") SINGLE ROW BOARD MOUNT CONNECTOR	 瀚荃股份有限公司 CviLux Corporation
3	Karen	7/08-15'	ECNT115151/ECRT115052	DRAWN BY:	Karen	7/8-15'	TOLERANCE UNLESS OTHERWISE SPECIFIED	MATERIAL:	
2	LYNN	12/29-04	ECN04518	ENGINEER:	Sun	7/8-15'	.X ± 0.30 / .012 X' ± 1"	FINISH:	DRAWING NO. CB2201SE PART NO. CB22**2V100
1	SUN	11/4/04'	ECN04436	CHECKED BY:	Eisley	7/8-15'	.XX ± 0.20 / .008 X' ±		SCALE 4 / 1 SHEET 1 OF 1
SYM	NAME	DATE	REVISIONS	APPROVED BY:	Eisley	7/8-15'	.XXX ± 0.10 / .004 XX' ±		