

DIM.A= 1.27 x No. of Spaces
 DIM.B= DIM.A + 5.05
 DIM.C= DIM.A + 3.85
 *Available in 4 ~ 26 Circuits

Material:

Insulation: High Temperature Plastic UL 94V-0

Contact: Brass

Ordering Code:

CA35 ** M 1 0 R P - NH
 ① ② ③ ④ ⑤ ⑥ ⑦ ⑧

- ① Series No.:
- ② No. of Circuits: 4 ~ 26 PIN
- ③ Contacts Type: M= SMT Type
- ④ Plating option:
1= Matte Tin over Nickel plated
- ⑤ Color: 0= Nature
- ⑥ Packing options:
R= Tape & Reel (With pick & place pad)
T= Tube
0= Bags
- ⑦ Other Options:
G= Without positioning pegs, H= 4.10mm
D= With positioning pegs, H= 4.10mm
E= Without positioning pegs, H= 6.40mm
P= With positioning pegs, H= 6.40mm
- ⑧ NH= For Lead Free IR Processes and Halogen-Free

Halogen-Free

Lead Free Process

RoHS compliant

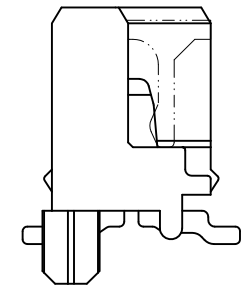
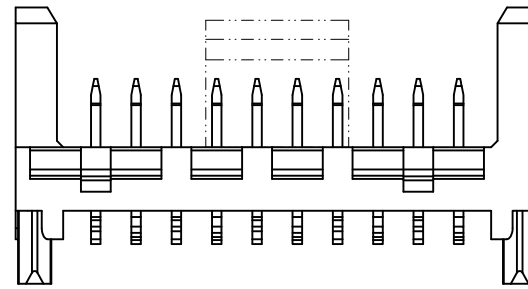
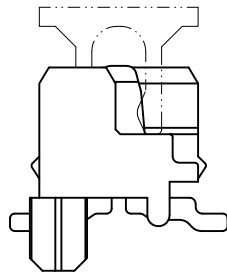
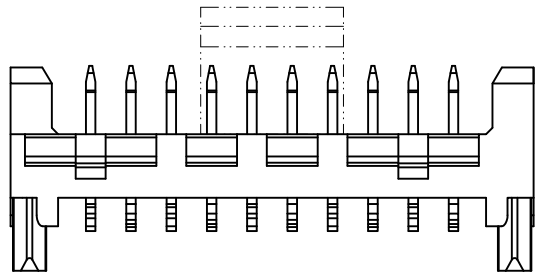
④						DATE	UNIT: mm / inch	TITLE: 1.27mm Pitch SMT Type Connector
③	Enya	11/8-13'	ECNT113112/ECRT113034	DRAWN BY: Enya	11/14-13'		TOLERANCE UNLESS OTHERWISE SPECIFIED	MATERIAL: FINISH:
②	Enya	11/19-12'	ECN12290-0/ECR12086-1	ENGINEER: Sun	11/14-13'	.X ± 0.30/.012	.X' ± 1'	
①	Sun	8/12-11'	ECR11040-1/ECN11179	CHECKED BY: Eisley	11/20-13'	.XX ± 0.20/.008	.X' ±	
SYM	NAME	DATE	REVISIONS	APPROVED BY: Eisley	11/20-13'	.XXX ± 0.10/.004	.XX' ±	

CIVILUX CORP
 2013.11.25
 ISSUED



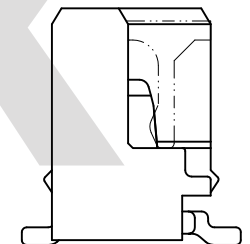
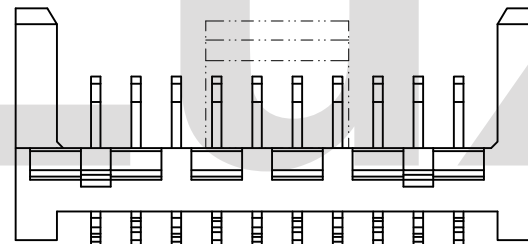
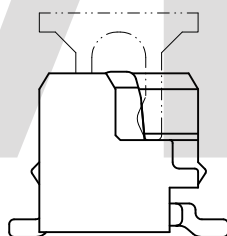
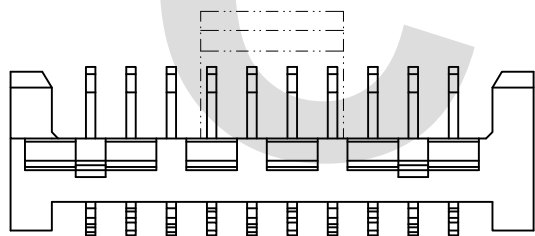
瀚荃股份有限公司
CviLux Corporation

DRAWING NO.	CA3501SD	PART NO.	CA35**M10**-NH
SCALE	4 / 1	SHEET	1 OF 5



CA35**M10RD-NH



CA35**M10RP-NH

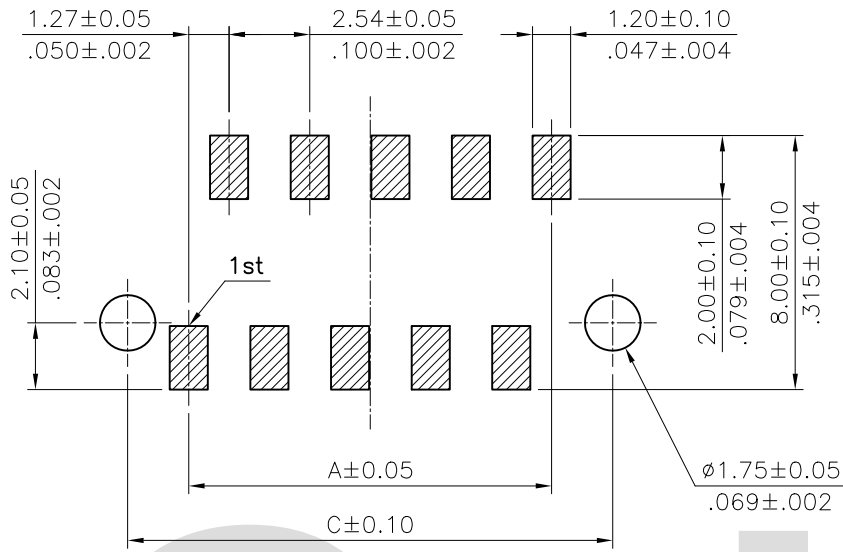


CA35**M10RG-NH

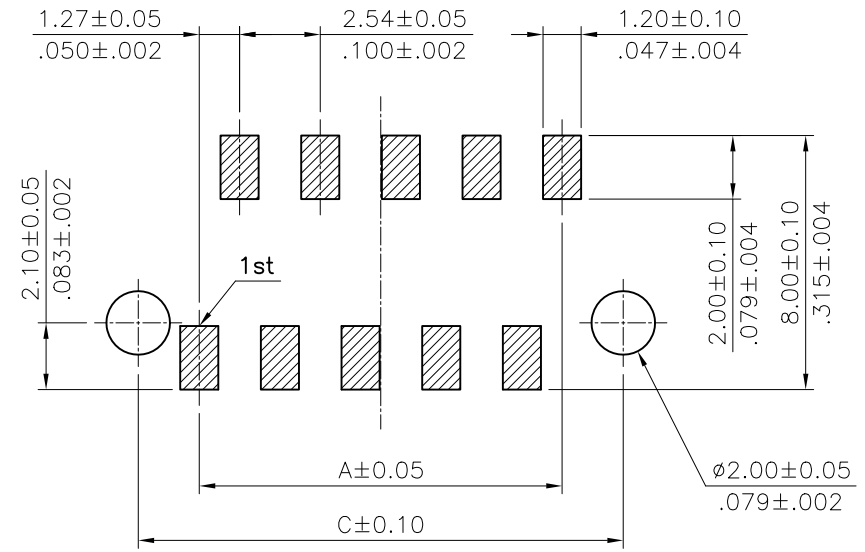
CA35**M10RE-NH

Halogen-Free Lead Free Process RoHS compliant

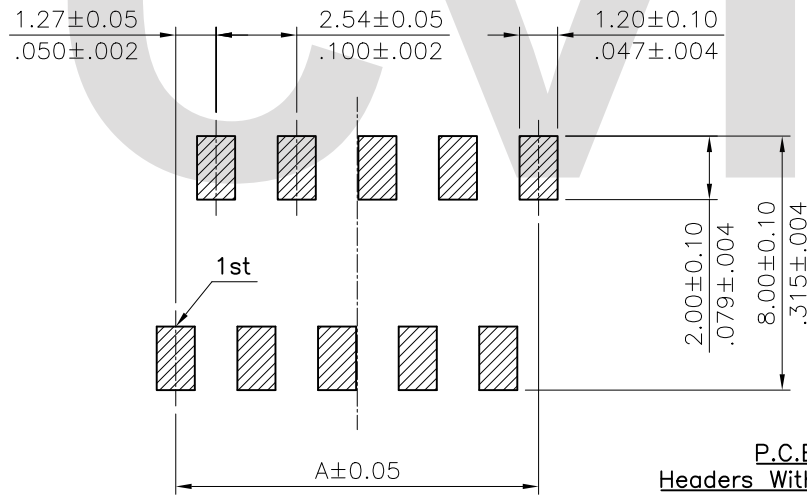
4						DATE	UNIT: mm / inch	TITLE: 1.27mm Pitch SMT Type Connector	 瀚荃股份有限公司 CviLux Corporation
3	Enya	11/8-13'	ECNT113112/ECRT113034		DRAWN BY:	Enya	11/14-13'	TOLERANCE UNLESS OTHERWISE SPECIFIED	
2	Enya	11/19-12'	ECN12290-0/ECR12086-1		ENGINEER:	Sun	11/14-13'	.X ± 0.20/.008 .X' ± 1'	
1	Sun	8/12-11'	ECR11040-1/ECN11179		CHECKED BY:	Eisley	11/20-13'	.XX ± 0.10/.004 .X' ±	
SYM	NAME	DATE	REVISIONS		APPROVED BY:	Eisley	11/20-13'	.XXX ± 0.05/.002 .XX' ±	MATERIAL:
									FINISH:
									DRAWING NO. CA3501SD PART NO. CA35**M10**-NH
									SCALE 4 / 1 SHEET 2 OF 5



P.C.B Layout
Transition Fit With P.C.B Pegs




P.C.B Layout
Clearance Fit With P.C.B Pegs



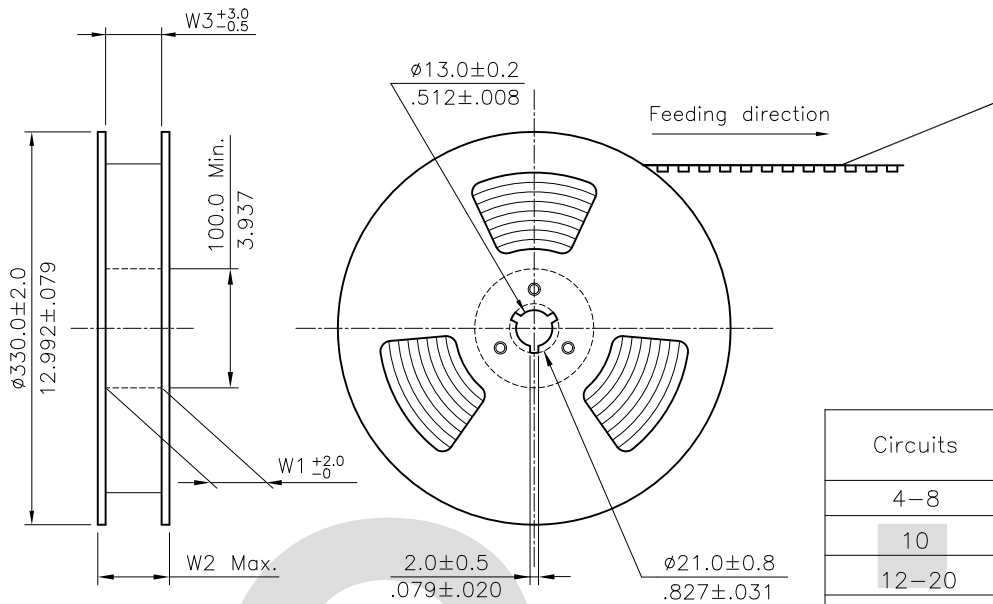
P.C.B Layout
Headers Without P.C.B Pegs

DIM.A= 1.27 x No. of Spaces
 DIM.B= DIM.A + 5.05
 DIM.C= DIM.A + 3.85
 *Available in 4 ~ 26 Circuits

Halogen-Free
 Lead Free Process
 RoHS Compliant

4						DATE	UNIT: mm / inch	TITLE: 1.27mm Pitch SMT Type Connector	 瀚荃股份有限公司 CviLux Corporation	
3	Enya	11/8-13'	ECNT113112/ECRT113034	DRAWN BY: Enya	11/14-13'	TOLERANCE UNLESS OTHERWISE SPECIFIED	MATERIAL:	DRAWING NO. CA3501SD		PART NO. CA35**M10**-NH
2	Enya	11/19-12'	ECN12290-0/ECR12086-1	ENGINEER: Sun	11/14-13'	.X ± 0.30/.012	.X' ± 1'	FINISH:	SCALE 4 / 1	SHEET 3 OF 5
1	Sun	8/12-11'	ECR11040-1/ECN11179	CHECKED BY: Eisley	11/20-13'	.XX ± 0.20/.008	.X' ±			
SYM	NAME	DATE	REVISIONS	APPROVED BY: Eisley	11/20-13'	.XXX ± 0.10/.004	.XX' ±			

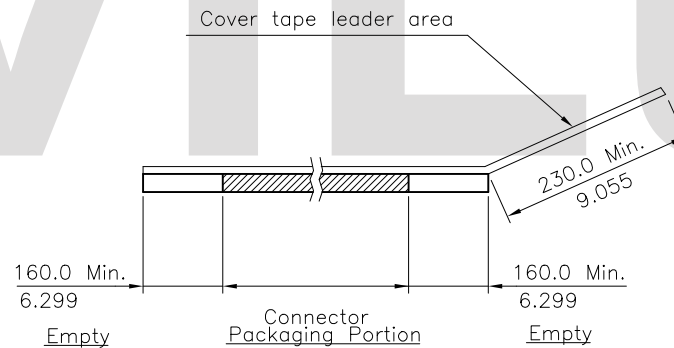
CVILUX CORP
2013.11.25
ISSUED





NOTE :

- △ * Reel Material : Corrugated Paper
- * Carrier Material : Transparent Anti-static Polystyrene
- * Cover Tape Material : Polyester
- * Cover Tape Peel Strength : 0.1N – 1.3N
- * Carrier camber is within 1mm in 100mm
- * Packing length per 22" reel : 24.6 Meters
- * Quantity : 600 PCS/Reel

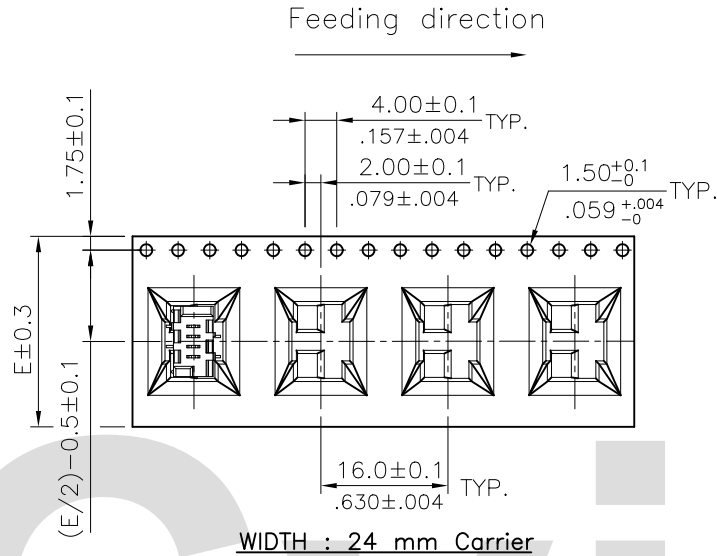
Circuits	Dimension					Packing (Reel/Caton)
	E	F	W1	W2	W3	
4-8	24.0(.945)	-	24.5(.965)	30.5(1.201)	24.5(.965)	9
10	32.0(1.260)	28.40(1.118)	32.5(1.280)	38.5(1.516)	32.5(1.280)	7
12-20	44.0(1.732)	40.40(1.591)	44.5(1.752)	50.5(1.988)	44.5(1.752)	5
22-26	56.0(2.205)	52.40(2.063)	56.5(2.224)	62.5(2.461)	56.5(2.224)	3



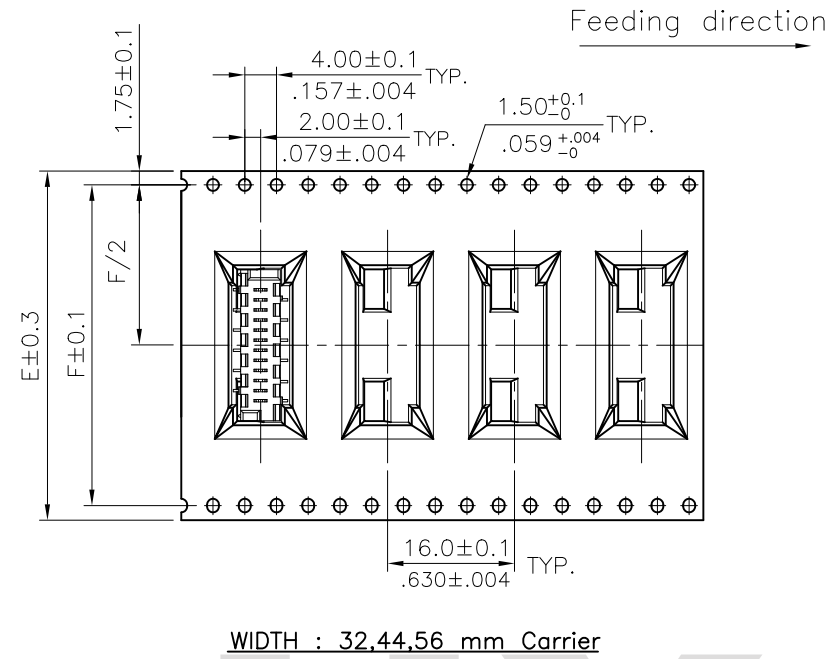
RoHS Compliant

4				 2013.11.25 ISSUED		DATE	UNIT: mm / inch	TITLE: 1.27mm Pitch SMT Type Connector	 瀚荃股份有限公司 CviLux Corporation	
3	Enya	11/8-13'	ECNT113112/ECRT113034		DRAWN BY: Enya	11/14-13'	TOLERANCE UNLESS OTHERWISE SPECIFIED	MATERIAL:		DRAWING NO. CA3501SD
2	Enya	11/19-12'	ECN12290-0/ECR12086-1		ENGINEER: Sun	11/14-13'	.X ± X' ± 1'	FINISH:		PART NO. CA35**M10**-NH
1	Sun	8/12-11'	ECR11040-1/ECN11179		CHECKED BY: Eisley	11/20-13'	.XX ± X' ±		SCALE	
SYM	NAME	DATE	REVISIONS		APPROVED BY: Eisley	11/20-13'	.XXX ± XX' ±		SHEET 4 OF 5	

CA35**M10RD-NH/CA35**M10RE-NH/CA35**M10RP-NH

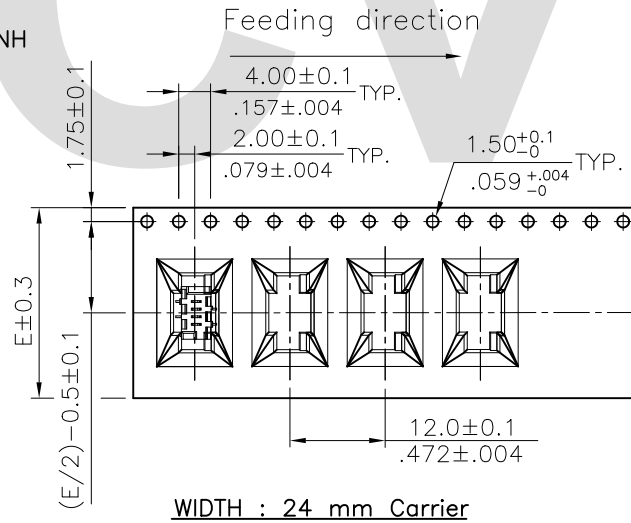


WIDTH : 24 mm Carrier

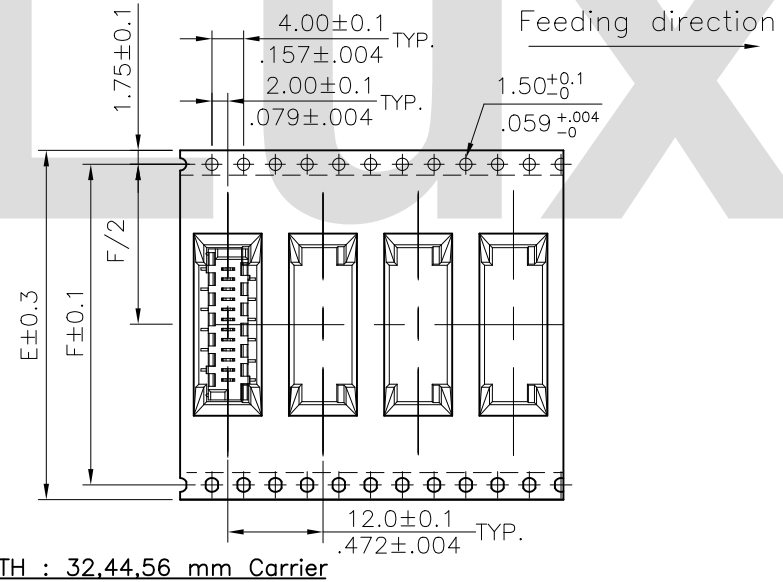


WIDTH : 32,44,56 mm Carrier

CA35**M10RG-NH



WIDTH : 24 mm Carrier



WIDTH : 32,44,56 mm Carrier

RoHS Compliant

4						DATE	UNIT: mm / inch	TITLE: 1.27mm Pitch SMT Type Connector	 瀚荃股份有限公司 CviLux Corporation		
3	Enya	11/8-13'	ECNT113112/ECRT113034		DRAWN BY: Enya	11/14-13'	TOLERANCE UNLESS OTHERWISE SPECIFIED	MATERIAL:		DRAWING NO. CA3501SD	PART NO. CA35**M10**-NH
2	Enya	11/19-12'	ECN12290-0/ECR12086-1		ENGINEER: Sun	11/14-13'	.X ± X' ± 1'	FINISH:		SCALE 4 / 1	SHEET 5 OF 5
1	Sun	8/12-11'	ECR11040-1/ECN11179		CHECKED BY: Eisley	11/20-13'	.XX ± X' ±				
SYM	NAME	DATE	REVISIONS		APPROVED BY: Eisley	11/20-13'	.XXX ± XX' ±				