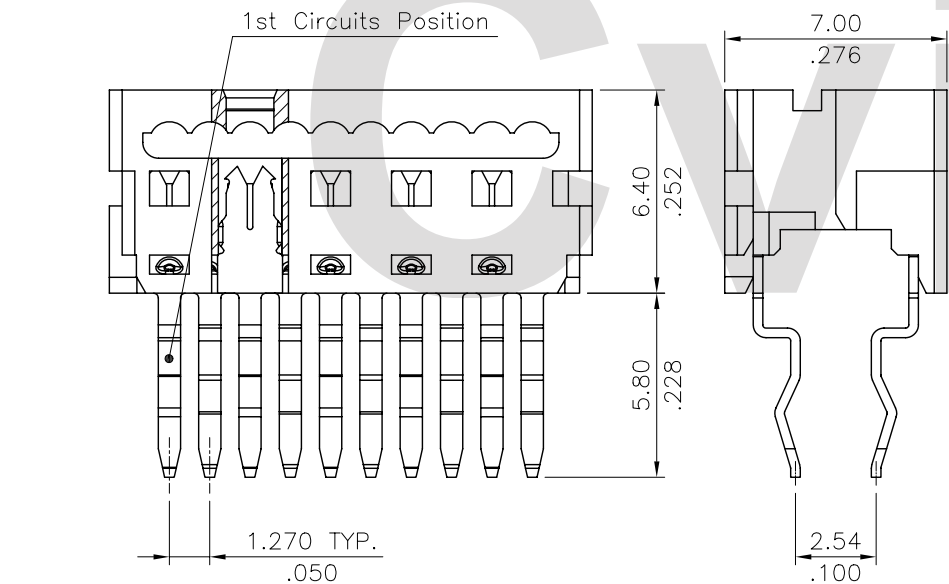


Material:

* Insulation:

Base: Glass filled polyester UL 94V-0

* Contact: Phosphor Bronze



Ordering Code:

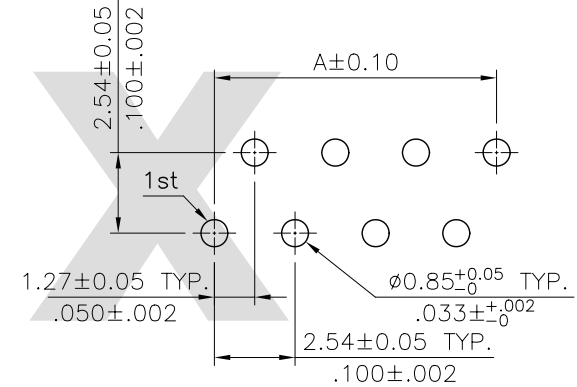
CA34 ** P 1 0 00 - NH
 ① ② ③ ④ ⑤ ⑥ ⑦

- ① Series No.:
- ② No. of Circuits: 04 to 26
- ③ Contacts Type: P= Pin Header
- ④ Plating option:
1= Matte Tin over Nickel plated
- ⑤ Color: 0= Nature
- ⑥ Option: 00= Standard (Tube Packing)
- ⑦ NH= For Lead Free IR Processes and Halogen-Free

DIM.A= 1.27 x No. of Spaces

DIM.B= DIM.A + 3.78

*Available in 4 ~ 26 Circuits



Recommended
P.C. Board Layout

Halogen-Free

RoHS Compliant

4					DATE	UNIT: mm / inch	TITLE: 1.27mm PICO-FLEX IDC PLUG Headers
3					DRAWN BY: Clark	1/15-10'	MATERIAL:
2					ENGINEER: Clark	1/18-10'	
1					CHECKED BY: Eisley	1/22-10'	FINISH:
SYM	NAME	DATE	REVISIONS	APPROVED BY: David	1/22-10'	.XXX ± 0.10/004	

CVILUX CORP
 2010.02.09
 ISSUED



瀚荃股份有限公司
CviLux Corporation

DRAWING NO.	CA3401SA	PART NO.	CA34**P100-NH
SCALE	4 / 1	SHEET	1 OF 1