

Material:

* Insulation:

Glass filled polyester UL 94V-0

* Contact: Brass

Ordering Code:

CA21 ** S A 1 *0
 ① ② ③ ④ ⑤ ⑥

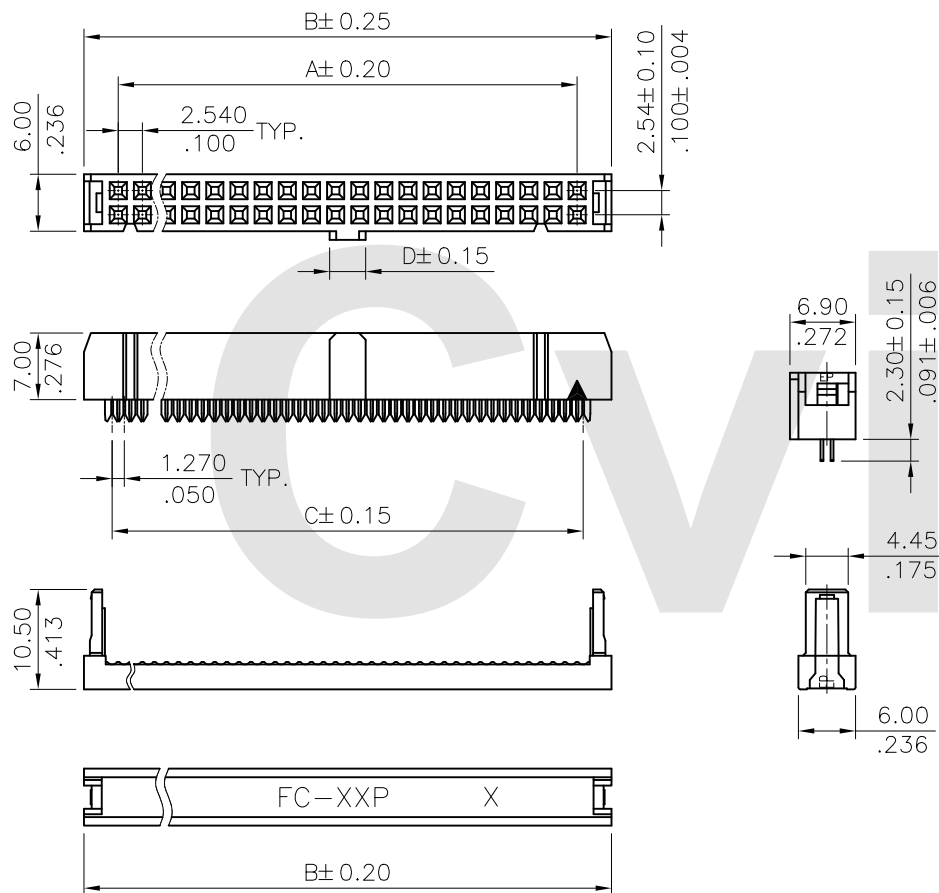
- ① Series No.
- ② No. of Circuits
- ③ Contact type: S= Socket

④ Plating option:

- A= Selective Gold flash plated over 1.27um(50u") Nickel
- B= Selective 0.38um(15u") Gold plated over 1.27um(50u") Nickel
- C= Selective 0.76um(30u") Gold plated over 1.27um(50u") Nickel

⑤ Color: 1= Black

- ⑥ Other Options:
 00= Standard
 A0= Without Polarizing Rib



Circuits	Dimension			
	A	B	C	D
6	5.08(.200)	12.30(.484)	6.35(.250)	1.80(.071)
8	7.62(.300)	14.84(.584)	8.89(.350)	1.80(.071)
10	10.16(.400)	17.38(.684)	11.43(.450)	3.80(.150)
12	12.70(.500)	19.92(.784)	13.97(.550)	3.80(.150)
14	15.24(.600)	22.46(.884)	16.51(.650)	3.80(.150)
16	17.78(.700)	25.00(.984)	19.05(.750)	3.80(.150)
18	20.32(.800)	27.54(1.084)	21.59(.850)	3.80(.150)
20	22.86(.900)	30.08(1.184)	24.13(.950)	3.80(.150)
22	25.40(1.000)	32.62(1.284)	26.67(1.050)	3.80(.150)
24	27.94(1.100)	35.16(1.384)	29.21(1.150)	3.80(.150)
26	30.48(1.200)	37.70(1.484)	31.75(1.250)	3.80(.150)
28	33.02(1.300)	40.24(1.584)	34.29(1.350)	3.80(.150)
30	35.56(1.400)	42.78(1.684)	36.83(1.450)	3.80(.150)
32	38.10(1.500)	45.32(1.784)	39.37(1.550)	3.80(.150)
34	40.64(1.600)	47.86(1.884)	41.91(1.650)	3.80(.150)
36	43.18(1.700)	50.40(1.984)	44.45(1.750)	3.80(.150)
40	48.26(1.900)	55.48(2.184)	49.53(1.950)	3.80(.150)
44	53.34(2.100)	60.56(2.384)	54.61(2.150)	3.80(.150)
48	58.42(2.300)	65.64(2.584)	59.69(2.350)	3.80(.150)
50	60.96(2.400)	68.18(2.684)	62.23(2.450)	3.80(.150)
60	73.66(2.900)	80.88(3.184)	74.93(2.950)	3.80(.150)
64	78.74(3.100)	85.96(3.384)	80.01(3.150)	3.80(.150)

RoHS Compliant

△6	Ken	1/9-17'	ECRB116097/ECNT117076		DATE	UNIT: mm / inch	TITLE: 2.54MM(.100")	瀚荃股份有限公司 CviLux Corporation	
△5	Kevin	4/8-09'	ECN09188		DRAWN BY: Ken	4/10-17'	TOLERANCE UNLESS OTHERWISE SPECIFIED		RIBBON CABLE I.D.C. CONNECTOR
△4	Karen	8/15-08	ECN08396		ENGINEER: Sun	4/11-17'	.X ± 0.35/.014 X' ± 1"		MATERIAL:
△3	Bill	6/12-08	ECR08051-0/ECN08276		CHECKED BY: Eisley	5/02-17'	.XX ± 0.25/.010 X ±		FINISH:
SYM	NAME	DATE	REVISIONS		APPROVED BY: Eisley	5/02-17'	.XXX ± 0.10/.004 .XX ±		
								DRAWING NO. CA2101SK	PART NO. CA21**S*1*0
								SCALE 1 / 1	SHEET 1 OF 1