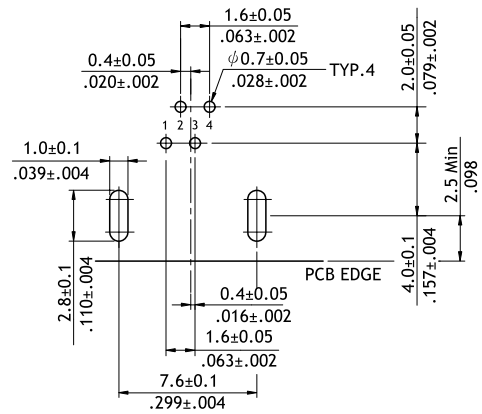
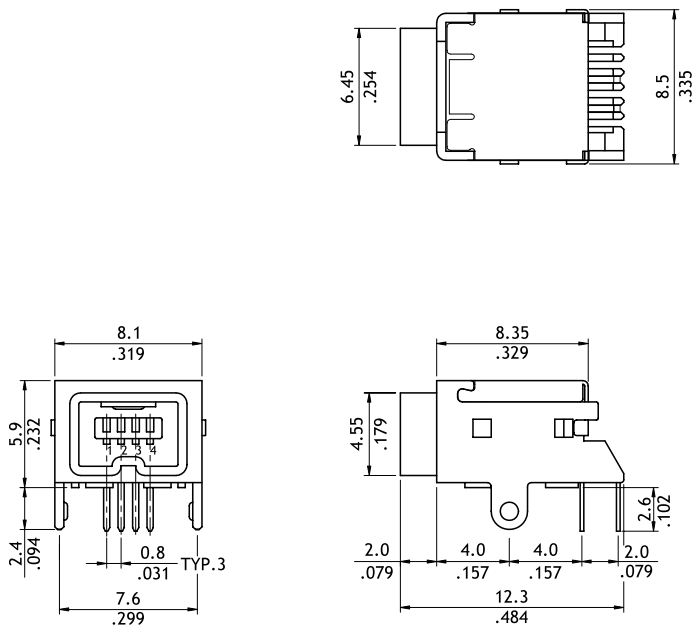


**CU05 Series IEEE 1394 Shielded I/O Receptacle Connectors**

- ⊙ Conform to IEEE1394
- ⊙ For plug and play devices



P/N CU05SCH1R00



Recommended P.C. Board Layout

**Ordering Code**

**1** **2** **3** **4** **5** **6** **7**  
**CU05SCH1F00**

- ① Series No.
- ② S= Socket
- ③ Plating code:  
C= Selective 30µin Gold over Nickel  
\*Optional plating available but MOQ requested
- ④ Tail style:H= Side entry  
V= Top entry

- ⑤ Insulator color: 1= Black
- ⑥ Type: F= Flat  
U= Upright  
M= Flat / SMT  
0= Original design for Top entry  
R= Mini IEEE1394(4 Circuits) / DIP Type
- ⑦ Options: 00= Standard  
\*Special options consult manufacturer